

# Full HD Outdoor Wi-Fi Camera

Stylish enough for your living room and tough enough for your front porch, the DCS-8302LH reimagines home surveillance in vivid Full HD 1080p clarity.

DCS-8302LH

- Full HD 1080p resolution at 30 frames per second with wide 135-degree field of view, so you never miss a thing
- Up to 5 m infrared night vision lets you see what's happening even in total darkness
- AI-based person detection intelligently identifies human motion
- Enhanced sound and motion detection add new lines of defence to your home surveillance
- Weather-resistant for covered outdoor installation
- Operates in extreme temperatures of -20 to 45°C
- Two-way audio with built-in microphone and speaker lets you hear and be heard
- 95 dB siren wards off intruders and alerts you to a detection
- Flexible connection options with either Wi-Fi or wired Ethernet
- Built-in Bluetooth Low Energy technology for faster setup
- Supports cloud / microSD (max. 256 GB) / phone recording
- Works with NAS/NVR with ONVIF Profile S support
- Supports the latest WPA3™ Wi-Fi encryption
- Versatile rotating stand for optimal angle adjustment
- Wall, ceiling and pole mountable
- Access anytime, anywhere with the free mydlink app
- Works with the Google Assistant and Alexa²



### True Full HD Clarity

1080p resolution at 30 FPS



### Weather-Resistant

Suitable for covered outdoor installation



### Built-In AI-Based Person Detection

Intelligently identifies human motion



### Day & Night

See up to 5 metres in the dark



### Two-Way Audio

Transmit and receive audio with built-in microphone and speaker



### Supports WPA3

The latest Wi-Fi security for more protection



### Built-In Siren

95 dB siren sounds when triggered



### ONVIF Compliant

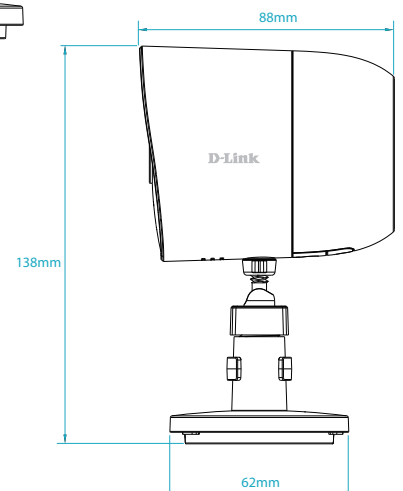
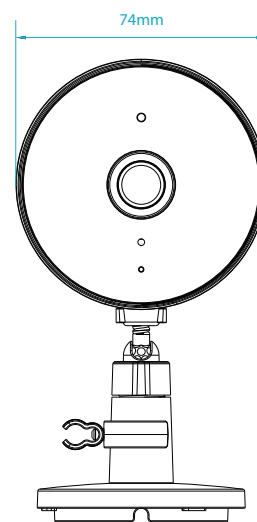
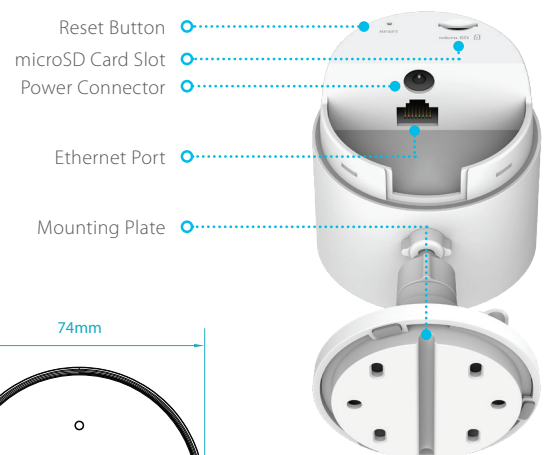
Supports ONVIF for continuous recording with compatible NVR, VMS or NAS

General	
Video Compression	H.264
Max. Resolution	2 Megapixel (Full HD)
Max. Frame	1080p (1920 x 1080)
Image Sensor	1/2.9" Progressive CMOS sensor
Day & Night - IR LED	5 m (16 ft)
Focal Length	3 mm
Aperture	F2.4
Angle of View	(H) 109° (V) 57° (D) 135°
Mechanical PTZ	No
Audio	Built-in microphone and speaker
Audio Codec	MPEG-2 AAC LC

Functionality	
Wireless IEEE Standard	802.11n/g wireless
Wi-Fi Operation Band	2.4 GHz
Security Protocol	WPA3
Bluetooth	Bluetooth Low Energy 4.0
Network Protocols	IPv4, IPv6 dual stack, Bonjour (mDNS and DNS-SD), ONVIF Profile S, RTSP, SRTP (D-Link private), HTTPS

Software	
Device Management	mydlink app (iOS and Android), mydlink Portal
Features	Motion detection, person detection, sound detection
Recording	mydlink Cloud Recording, microSD card recording (Up to 256 GB capacity) <sup>3</sup>
Notifications	Push notifications with a snapshot and quick action buttons (2 designated contact numbers and live view)
Voice Assistants	Amazon Alexa, the Google Assistant

Physical	
Power Input	100 to 240 V AC, 50/60 Hz
Power Output	12 V DC 1.0 A
Max. Power Consumption	7 W ± 5%
Cable Length	3 m (9.8 ft)
Indoor/Outdoor	Suitable for covered outdoor installation in upright position <sup>3</sup> and indoor use
Operating Temperature	-20 to 45 °C (-4 to 113 °F)
Storage Temperature	-20 to 70 °C (-4 to 158 °F)
Operating/Storage Humidity	Max. 90% non-condensing
Weight	250 g
Dimensions	138 x 88 x 62 mm
Certifications	CE, LVD, RCM, FCC Class B, IC, NCC/BSMI



<sup>1</sup> Alexa service and the Google Assistant may not be available in all regions. <sup>2</sup> Use of audio or video equipment for recording the image or audio of a person without their knowledge and consent is prohibited in certain states or jurisdictions. The end-user assumes all liability for compliance with applicable state, local and federal laws. <sup>3</sup>microSD card not included. Supports capacity up to 256 GB. <sup>3</sup> This device is designed to be installed under eaves or similarly covered locations, and does not support inverted installation. Please ensure that the device is installed with the rubber plug pointed downwards towards the ground, and that it is not installed in an area where it will experience continuous water exposure.