

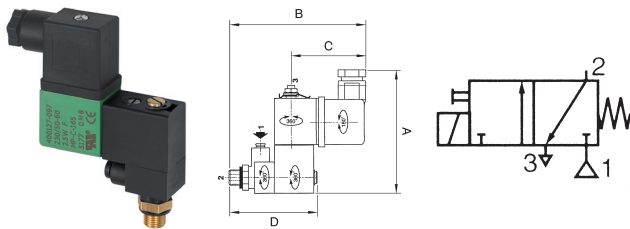
3/2-way solenoid valve

3/2-way type - with banjo connection, NC function

MAX

Art. No. 102967

Type No. 108.01



Exemplary illustration

Compact solenoid valves for mounting directly on the actuator (single-acting cylinder, valve, etc.).

- Optimum installation supply port (1), solenoid valve body, coil and cable socket can be rotated 360°
- Manual operator
- Exhaust air restrictor available on request

Technical data

Housing	Polyamide (glass fibre-reinforced)
Function	normally closed (NC)
Thread	G 1/8 ET
Voltage	230/50 V
Operating pressure	max. 10 bar
Sealant	NBR
Medium temperature	-10 to 60 °C
Ambient temperature	-10 to 60 °C
A	79 mm
B	90 mm
C	49 mm
D	58 mm

Commercial data

Customs tariff number	84812090
Country of origin	FR
eCl@ss 5.1.4	27220601
eCl@ss 9.0	27220601
UNSPSC_Code_v190501	40141605
UNSPSC_CodeDesc_v190501	Solenoid valves

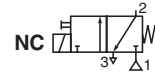
Material informations

REACH SVHC1 substance name	lead
CAS no. SVHC 1	7439-92-1
RoHS materials notice	RoHS compliant
REACH Info	contains SVHC substance



CONTROL SOLENOID VALVES

direct-mounted - BANJO coupling type
G 1/8 threaded body,
Ø4mm O.D. instant fittings rotatable coupling



3/2
Series
189

FEATURES

Compact solenoid valve designed for direct mounting on an actuator
(single-acting cylinders, valves etc.) with the following advantages:

- Easy to connect
- Shorter response time
- Installation simplified due to 360° rotatable supply port (1), solenoid valve body, coil and connector
- Reduced envelope
- Built-in exhaust reducer
- Auxiliary manual operator
- Accepts a range of size 22 solenoid heads
 - IP65 standard (2,5 W)
 - M12 connection, integrated Led and protection
 - Ex m for potentially explosive atmospheres

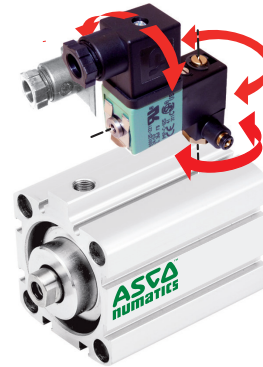


GENERAL

Fluid	Air or neutral gaz, filtered, lubricated or not
Operating pressure	0 to 10 bar
Maximum allowable pressure	16 bar
Fluid temperature	-10°C to +60°C
Ambient temperature	-10°C to +60°C
Flow (Qv at 6 bar)	See "specifications"
Response time	10 - 20 ms (on air ΔP = 6 bar)
Base	ISO 15218 (CNOMO 06.05.80/NF E 49066, size 30)

CONSTRUCTION

Body	PA + FV (glass filled polyamide 6/6)
Pad mounting body	Ports 1 and 2 on subbase, port 3 tapped M5
Exhaust	M5 female
Seals	NBR (nitrile)
Electrical equipment	Conforming to NF C79300 standard



ELECTRICAL CHARACTERISTICS

coil type	voltages	consumption		insulation class	protection degree	electrical connection
		inrush	hold			
size 22	~ 24V-48V-115V-230V/50Hz	6VA	3,5VA (2,5W)	F	IP 65	spade plug size 22 connector, DIN 43650, 11 mm industry standard B
		2,5W/3W (hot/cold)				
	= 24V-48V	2,5W/3W (hot/cold)		F	IP 65	M12 connection, 3 pins CNOMO E03.62.520.N
M12 with Led and protection	= 24V	2,5W/3W (hot/cold)		F	IP 65	M12 connection, 3 pins CNOMO E03.62.520.N

SPECIFICATIONS

orifice size (mm)	flow				allowable differential pressure (bar)		(M)	exhaust reducer on port 3	catalogue number		
	at 6 bar l/min (ANR)		coefficient Kv		min.	max.			with DIN connector	without DIN connector	with M12 connection
	1 → 2	2 → 3	1 → 2	2 → 3							
1,2	34	47	0,5	0,7	0	10	●	without	18900032	18900033	18900076
								with	18900047	18900043	18900077

(M) Manual operator : ● maintained

OPTIONS (overleaf)

00216GB-2017/R01
Availability, design and specifications are subject to change without notice. All rights reserved.

All leaflets are available on: www.asco.com

Solenoid valves (3/2) - 25

OPTIONS

SOLENOID VALVE WITH COIL FOR DIN CONNECTOR

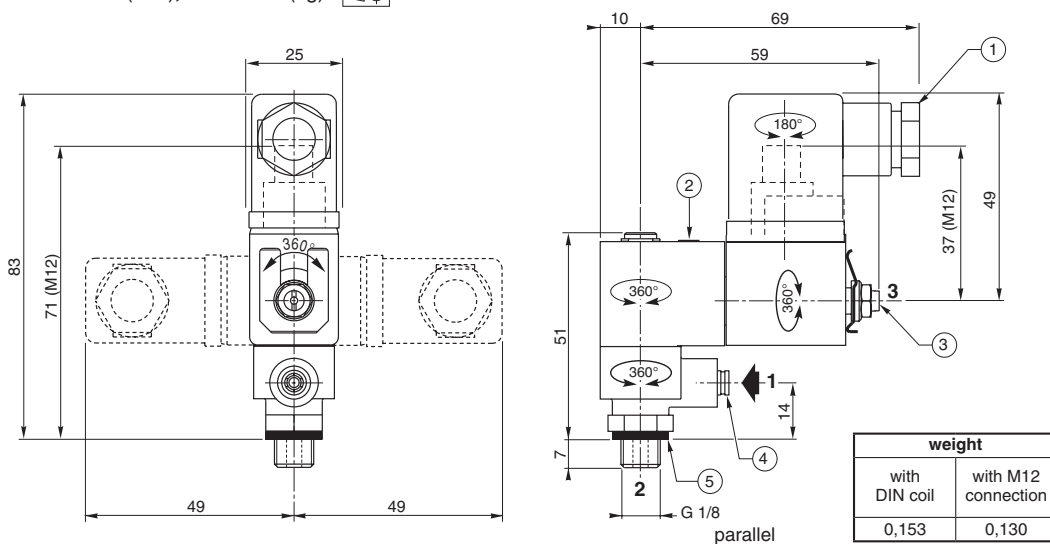
- Others voltages or 60 Hz frequency, on request
- Solenoid head complying with European standards for explosive atmospheres Ex m (PV), zones 1-21 catalogue numbers: **PV18901032** or **PV18901047**
- Solenoid head for dusty explosive atmospheres (SG), zone 22
- Solenoid head "CSA" approved
- Conformity to standard "UL", catalogue number: **612100**
- Exhaust port regulator ØM5 adaptable on port 3 - catalogue number: **34600380**
- Connector with cable outlet, 2m long: **88122413**
- Solenoid valve with built-in visual indicator and protection:

catalogue number solenoid valve without connector (see above)	+	catalogue number connector with built-in visual indicator and VDR protection			
		24V (-/=) 88122405	48V (-/=) 88122406	115V (-/=) 88122407	230V (-/=) 88122408

SOLENOID VALVE WITH M12 CONNECTION COIL

- Exhaust port regulator ØM5 adaptable on port 3 - catalogue number: **34600380**
- Straight M12 connector with 5 female contacts, Ø4 to 6mm cable entry, catalogue number: **88100304**
- Straight M12 connector with 5 female contacts, Ø6 to 8mm cable entry, catalogue number: **88100256**
- Straight M12 connector with 5 female contacts, cable length 5m, catalogue number: **88130212**
- Right-angle M12 connector with 5 female contacts, cable length 5m, catalogue number: **88130213**

DIMENSIONS (mm), WEIGHTS (kg)



- ① Connector : size 22 rotatable by 180°
- ② Manual operator (maintained)
- ③ Adjustable exhaust flow reducer
- ④ Connection to pressure supply with quick-disconnect coupling for 4mm OD tube (coupling rotatable through 360° around Port 2)
- ⑤ Seal

All leaflets are available on: www.asco.com

26 - Solenoid valves (3/2)