

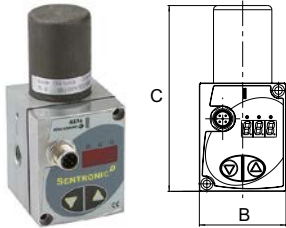
# Proportional control valve

»sentronic D« Type



Art. No. 101634

Type No. PV 2261



Exemplary illustration

For electronic pressure control.

Highly dynamic, 3-way proportional valve with digital control.

D stands for:

- Digital communication and control
- Display (integrated)
- Directly operated
- Dynamic (high-speed)

A special feature is the DaS software (see "Downloads") that provides optimum controller adjustment over a PC (RS 232 interface). This software additionally allows the setpoint and actual value to be visualised.

Other functions are valve diagnostics, parameter setting and maintenance. The valve's outlet pressure can also be adjusted using the integrated display and the function buttons, and the valve can optionally be operated without a PC.

Benefits:

- Minimum hysteresis
- Extremely short response times
- Extremely low sensitivity
- No constant air consumption
- Analogue actual value output
- Digital control
- High speed

## Technical data

Housing	aluminium
Ambient temperature	0 to 50 °C
Internal parts	POM
Piloting	0 - 10 V
Thread	G 3/8

## Technical data

B	66 mm
Working pressure	0 - 10 bar
Electrical setpoint	0 - 10 V
Analogue output	0 - 10 V
Digital output	pressure switch output PNP $\pm$ 5%
Flow rate	1750 l/min

## Commercial data

Customs tariff number	84818079
Country of origin	DE
eCl@ss 5.1.4	27292301
eCl@ss 9.0	27292301
UNSPSC_Code_v190501	40141603
UNSPSC_CodeDesc_v190501	Pneumatic valves

## Material informations

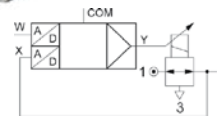
REACH SVHC1 substance name	lead
CAS no. SVHC 1	7439-92-1
RoHS materials notice	RoHS compliant
REACH Info	contains SVHC substance

## AVENTICS™ Proportional Valves SENTRONIC<sup>D</sup>

With Digital Pressure Control

### FEATURES

- SENTRONIC<sup>D</sup> is a highly dynamical 3-way proportional valve with digital control.
- SENTRONIC<sup>D</sup> stands for:
  - Digital communication and control
  - Display (integrated)
  - Direct operated valve
  - Dynamic behaviour (high speed)
- A special feature of the SENTRONIC<sup>D</sup> is its DaS software supplied for optimum adjustment over PC and viewing of setpoint and feedback signals.
- Other functions are valve diagnostics, parameter setting and maintenance.
- The valve's outlet pressure can also be adjusted over the integrated display and the function buttons.



### GENERAL

<b>Fluids</b>	Air or neutral gases filtered at 50 µm, without condensate, lubricated or unlubricated
<b>Maximum allowable pressure (MAP)</b>	6 to 13 bar
<b>Pressure range</b>	0-3 bar, 0-6 bar, 0-10 bar
<b>Fluid temperature</b>	0°C to +60°C
<b>Ambient temperature</b>	0°C to +50°C
<b>Flow (Qv at 6 bar)</b>	470 to 1300 l/min (ANR)
<b>Setpoint</b>	0 - 10 V (impedance 100 kΩ) 0 - 20 mA / 4 - 20 mA (impedance 250 Ω)
<b>Hysteresis</b>	< 1% of span
<b>Linearity</b>	< 0,5% of span
<b>Repeatability</b>	< 0,5% of span
<b>Minimum setpoint</b>	100 mV (0,2 mA/4,2mA) with shutoff function
<b>Minimum outlet pressure</b>	1% of span

### CONSTRUCTION

<b>Body</b>	aluminium
<b>Internal parts</b>	POM (polyacetal)
<b>Seals</b>	NBR (nitrile) and FPM (fluoroelastomer)

### ELECTRICAL CHARACTERISTICS

nominal diameter DN (mm)	stabilised voltage *	max. power (W)	max. current (mA)	insulation class	degree of protection	electrical connection
4	24 V = +/-10%	21	850	H	IP 65	5-pin M12 connector (not supplied)
8		40	1650			

\* Max. ripple: 10 %

### SPECIFICATIONS

Ø ports	Ø orifice DN (mm)	flow	
		K <sub>v</sub> coefficient (Nm <sup>3</sup> /h)	at 6 bar (l/min - ANR)
G 1/8 G 1/4	4	0,43	470
G 1/4 G 3/8	8	1,2	1300

Test conditions according to ISO 8778: temperature: 20 °C, relative inlet pressure: 6 bar, relative outlet pressure: 5 bar

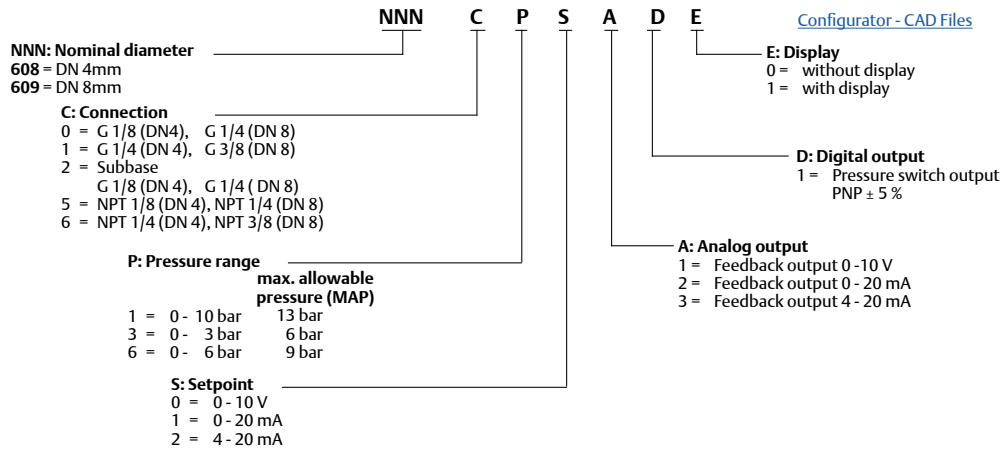
00249GB-2021/R01  
Availability, design and specifications are subject to change without notice. All rights reserved.

Series  
**608/**  
**609**

## AVENTICS™ Proportional Valves SENTRONIC<sup>D</sup>


With Digital Pressure Control

### HOW TO ORDER



# AVENTICS™ Proportional Valves SENTRONIC<sup>D</sup>

With Digital Pressure Control

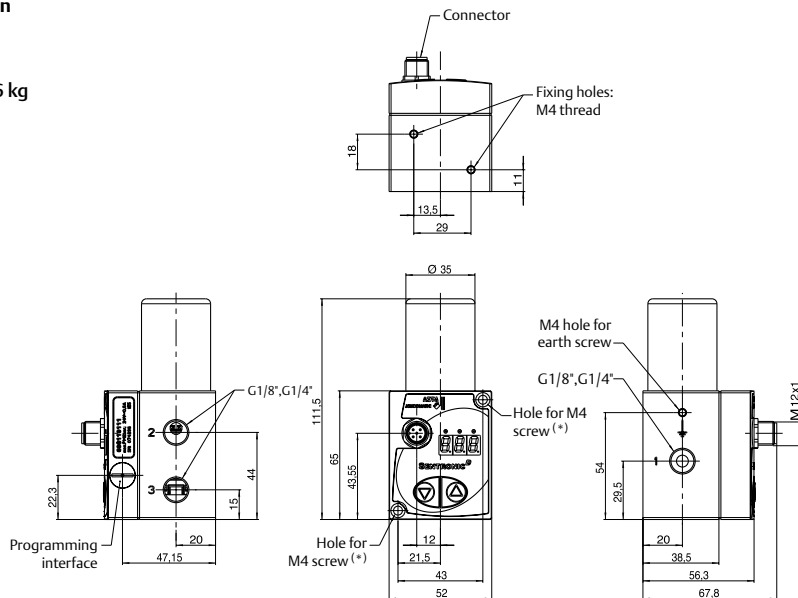
**DIMENSIONS (mm), WEIGHT (kg)** 

[Configurator - CAD Files](#)

Inline version

**DN 4**

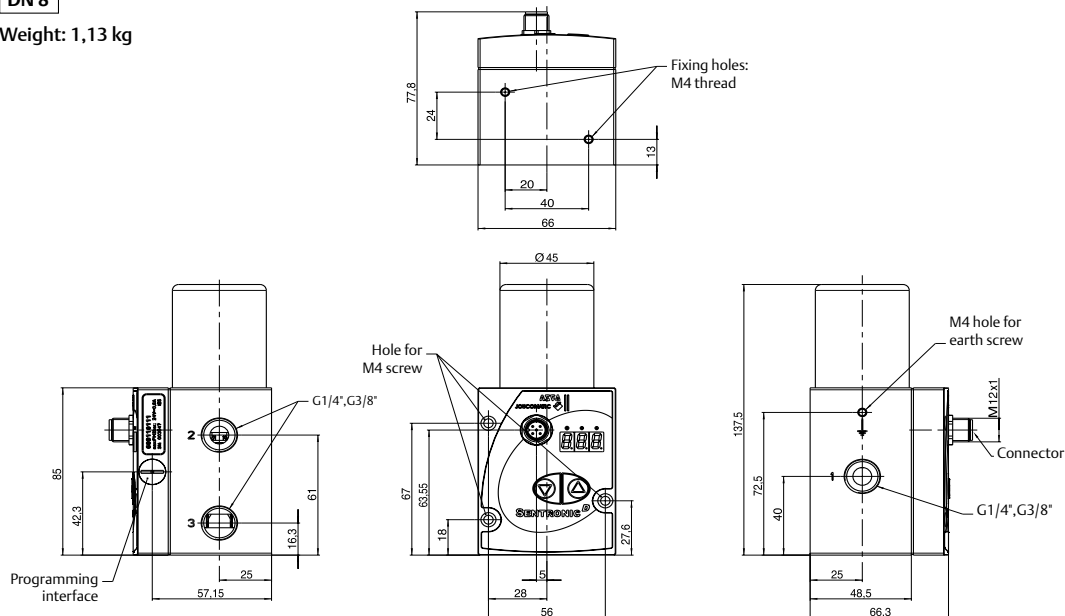
Weight: 0,56 kg



\*Remove the pre-installed screws to use the through holes to mount the valve.

**DN 8**

Weight: 1,13 kg



00249GB-2016(R01)  
Availability, design and specifications are subject to change without notice. All rights reserved.

Series  
**608/609**

**AVENTICS™ Proportional Valves SENTRONIC<sup>D</sup>**  
With Digital Pressure Control

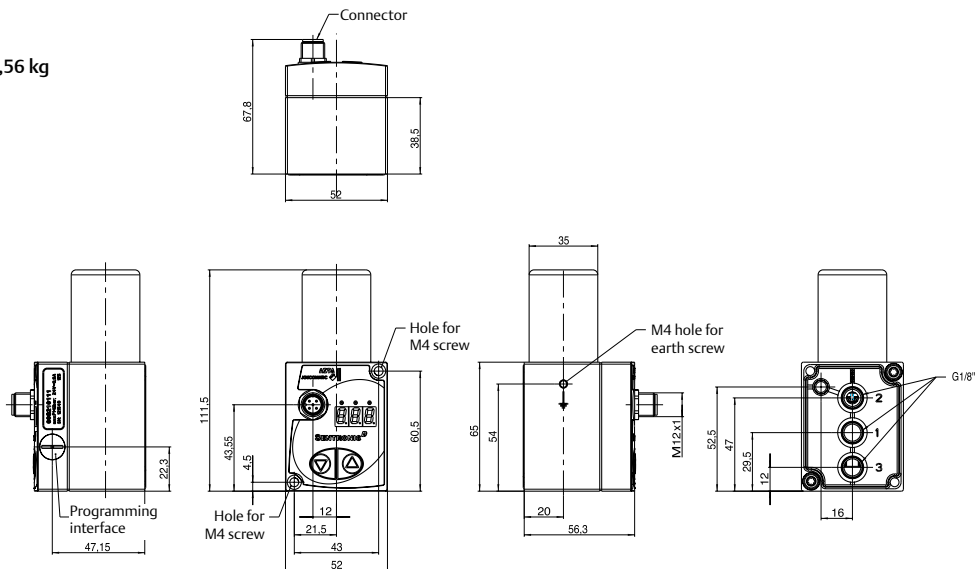
DIMENSIONS (mm), WEIGHT (kg)

[Configurator - CAD Files](#)

Subbase version

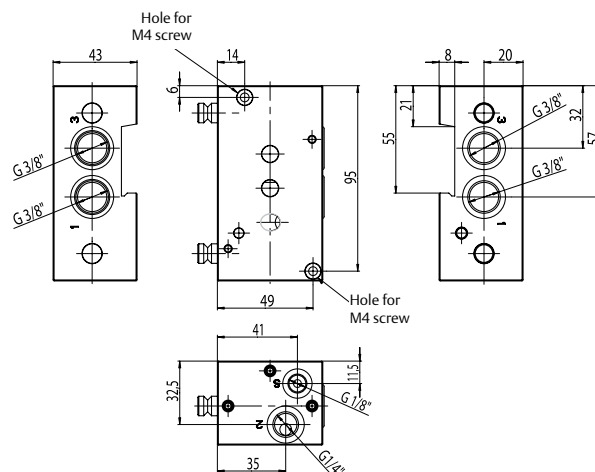
**DN 4**

Weight: 0,56 kg



**DN 4**


Subbase



00249GB-2021/R01  
Availability, design and specifications are subject to change without notice. All rights reserved.

# AVENTICS™ Proportional Valves SENTRONIC<sup>D</sup>

With Digital Pressure Control

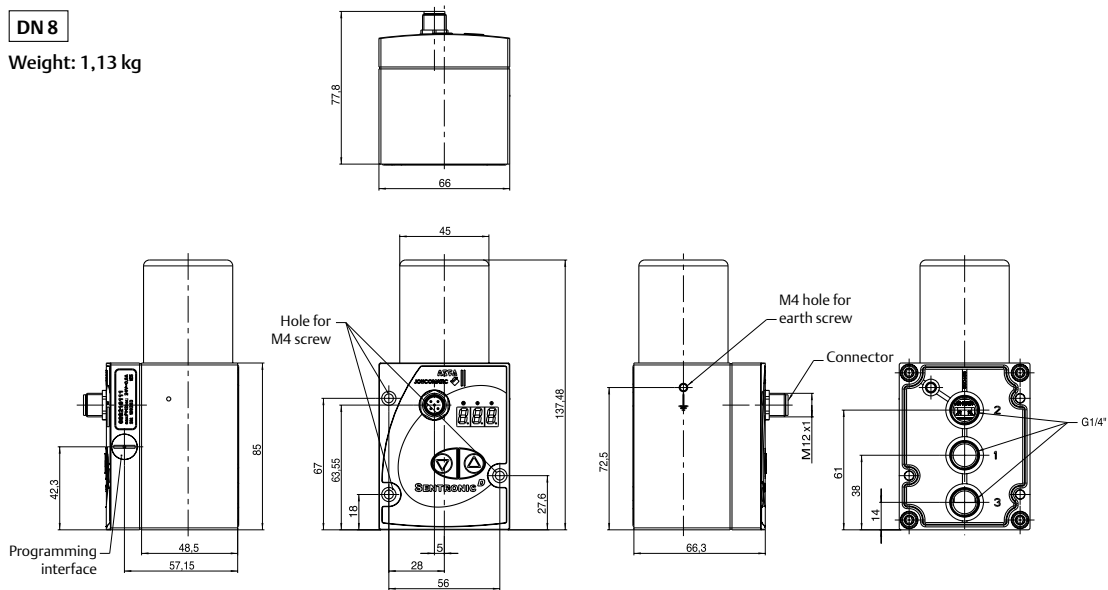
DIMENSIONS (mm), WEIGHT (kg) 

[Configurator - CAD Files](#)

Subbase version

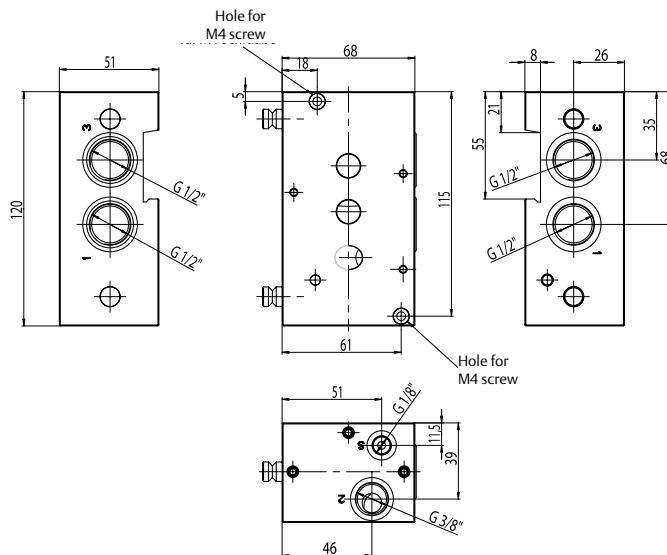
**DN 8**

Weight: 1,13 kg



**DN 8**

Subbase



00249GB-2021/R01  
Availability, design and specifications are subject to change without notice. All rights reserved.

## Spareparts

	Art. No.	Type No.
RS 232 converter, 2 m cable with 9-pole sub-D plug, for proportional control valve »sentronic D«	101637	PVZ 12