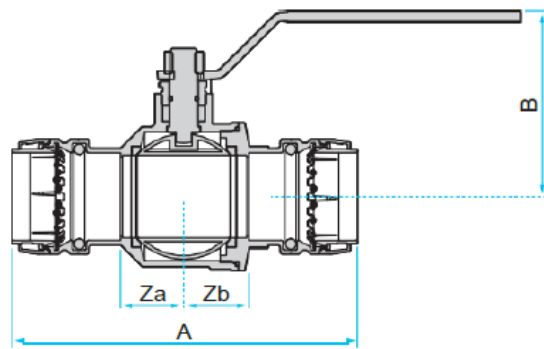


Material (15 mm - 28 mm)	Messing CW602N
Material (35 mm - 54 mm)	Messing CW617N
O-Ring	Nitril
Kassettenring (15 mm - 28 mm)	Rostfreier Stahl 304
Kassettenring (35 mm - 54 mm)	Polyphenylsulfone (PPSU)
Greifring	Rostfreier Stahl 316
Ausrichtring (15 mm - 28 mm)	Acetal
Trennring (15 mm - 28 mm)	Acetal
Trennring (35 mm - 54 mm)	PPSU
Betriebsdruck max.	20 bar
Betriebstemperatur	-20 bis 65 °C


**KGHMN15**


Kugelhahn						
Artikel Nr.	Typen Nr.	für Rohr-Außen-Ø	A	B	Za	Zb
		mm	mm	mm	mm	mm
117045	KGHMN15	15	79,0	46,0	13,0	19,0
117046	KGHMN22	22	98,0	51,0	17,0	22,0
117047	KGHMN28	28	114,0	57,0	22,0	28,0
117048	KGHMN35	35	150,0	78,0	26,0	28,0
117049	KGHMN42	42	169,0	86,0	31,0	32,0
117050	KGHMN54	54	184,0	95,0	35,0	38,0