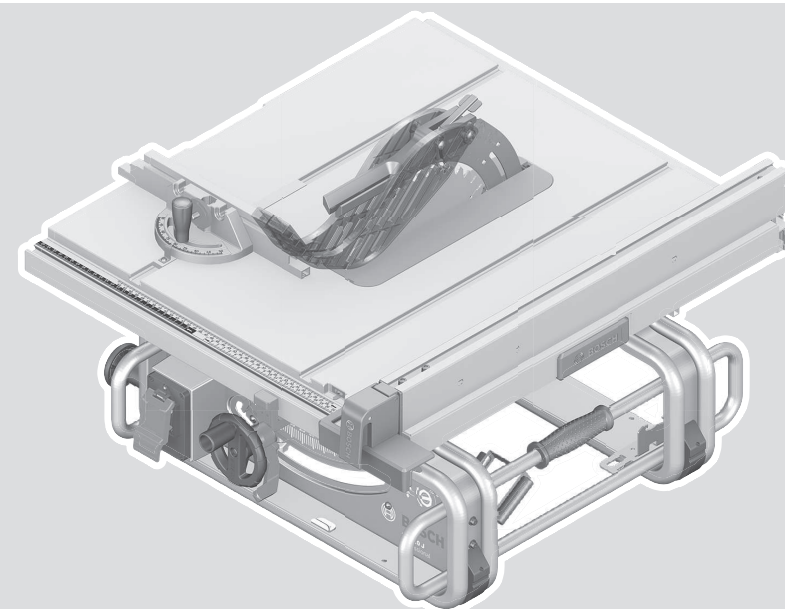




 **BOSCH**

# GTS 10 J Professional HEAVY DUTY



**Robert Bosch Power Tools GmbH**  
70538 Stuttgart  
GERMANY

[www.bosch-pt.com](http://www.bosch-pt.com)

1 609 92A 6YX (2021.09) PS / 152

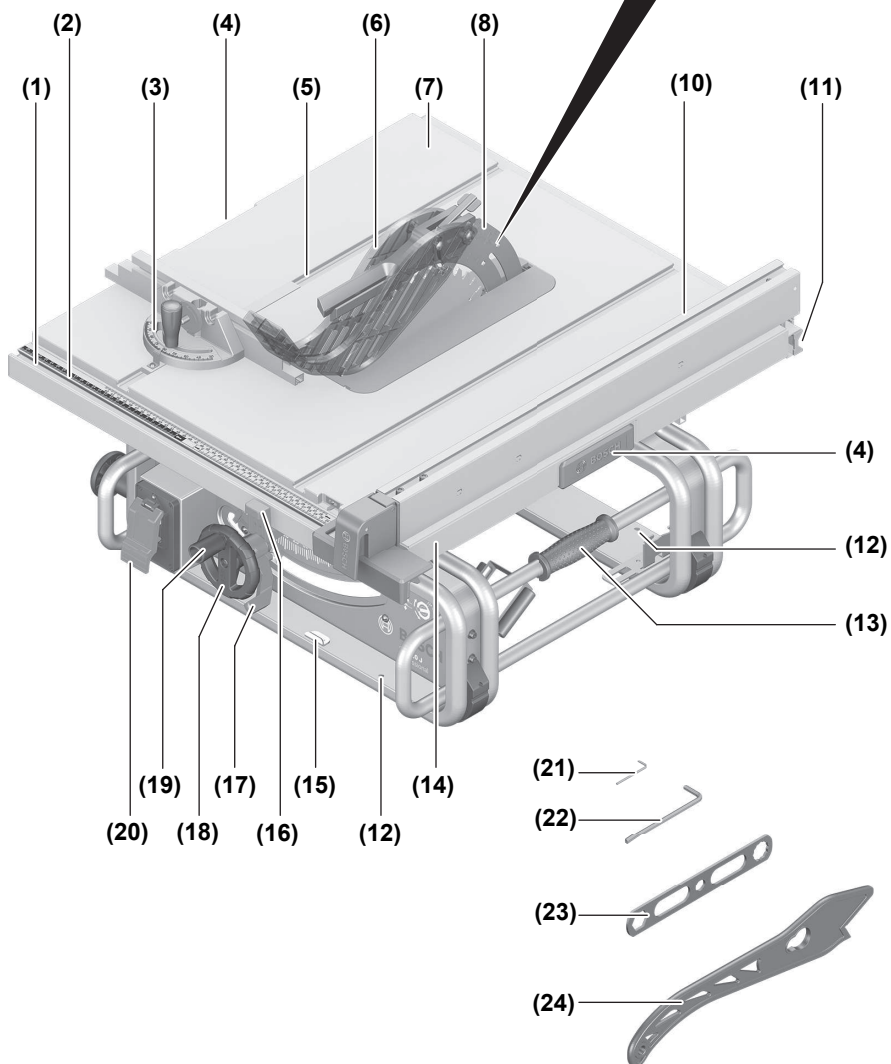
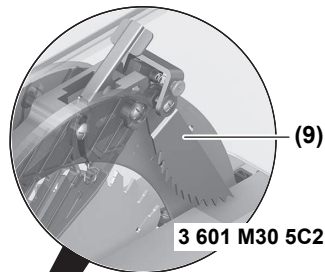


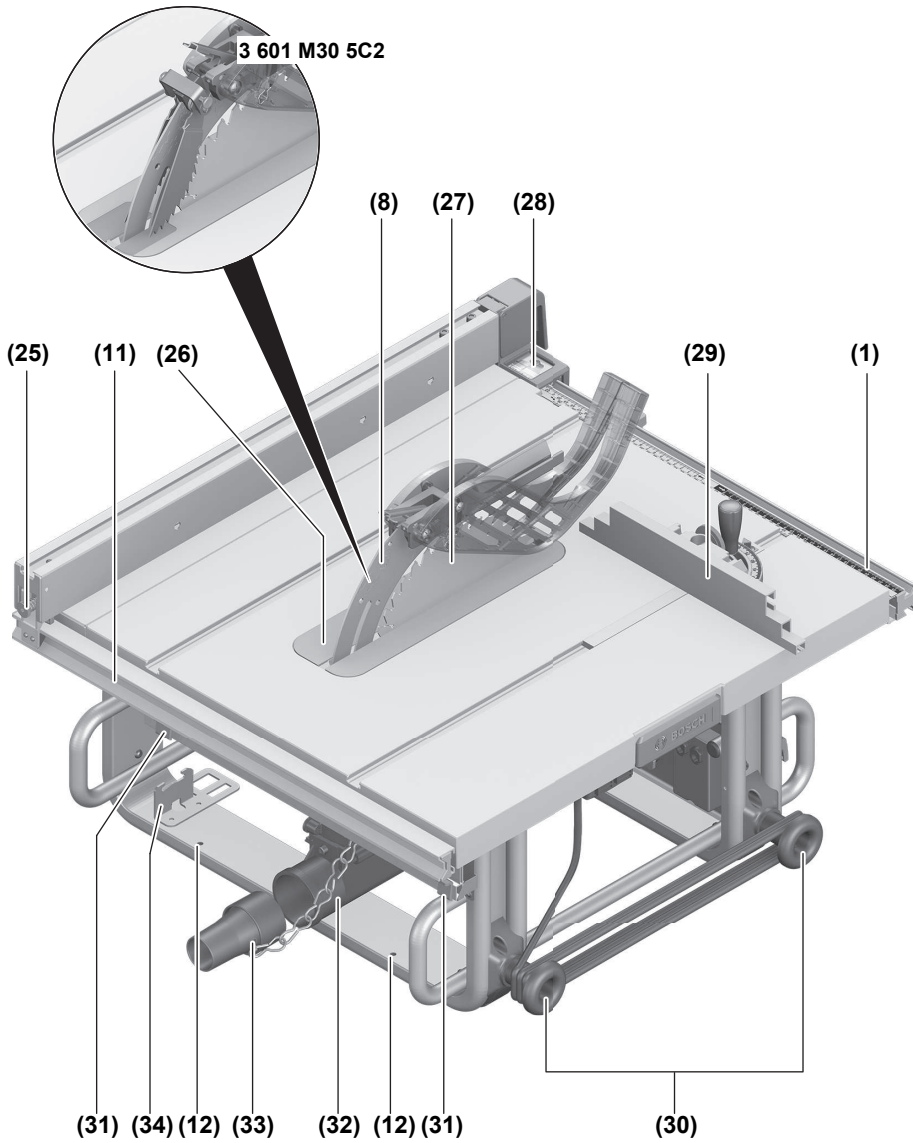
1 609 92A 6YX

- en** Original instructions
- fr** Notice originale
- pt** Manual original
- zh** 正本使用说明书
- zh** 原始使用說明書
- th** หนังสือคู่มือการใช้งานฉบับต้นแบบ
- id** Petunjuk-Petunjuk untuk Penggunaan Orisinal
- vi** Bản gốc hướng dẫn sử dụng
- ar** دليل التشغيل الأصلي
- fa** دفترچه راهنمای اصلی



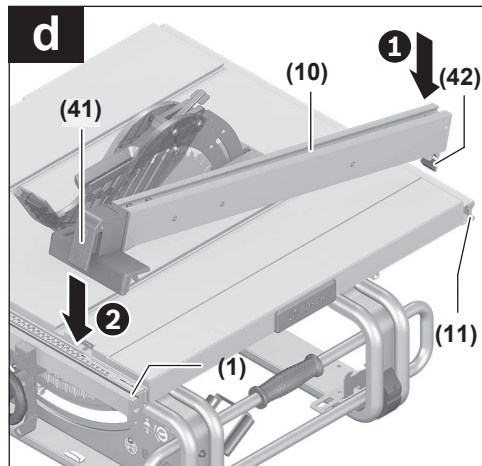
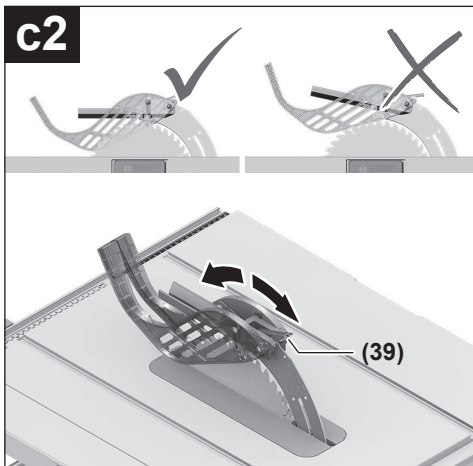
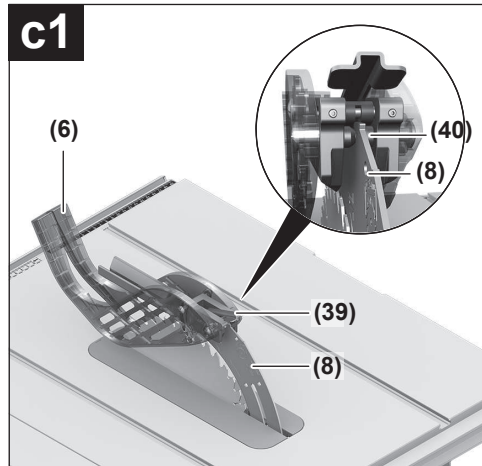
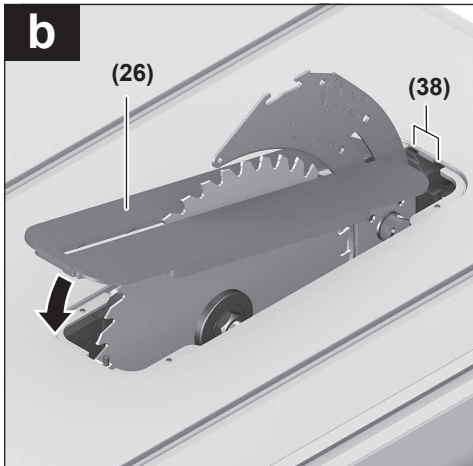
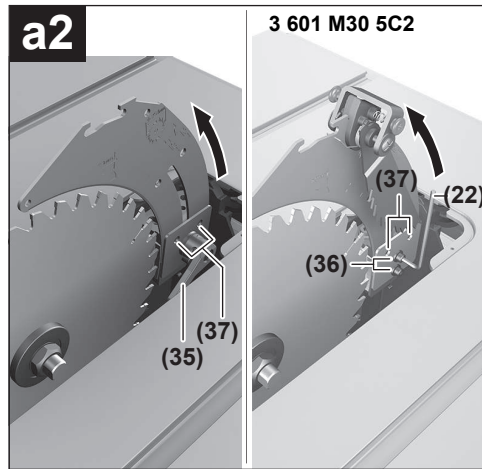
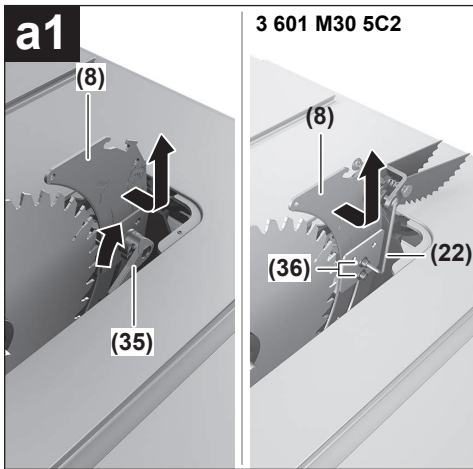
English .....	Page	15
Français .....	Page	28
Português .....	Página	42
中文 .....	頁	56
繁體中文 .....	頁	67
ไทย .....	หน้า	78
Bahasa Indonesia .....	Halaman	94
Tiếng Việt .....	Trang	108
عربي .....	الصفحة	123
فارسی .....	صفحه	137

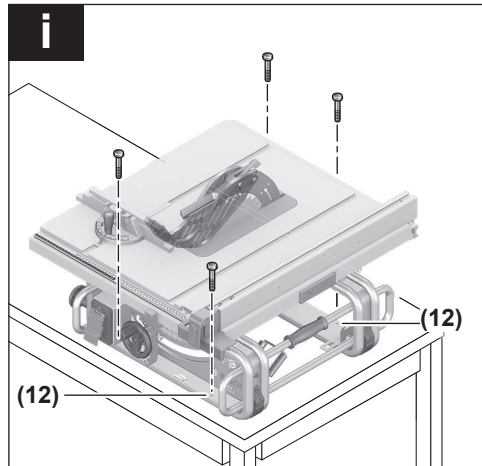
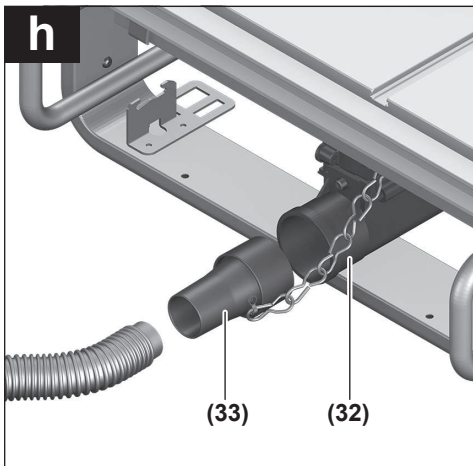
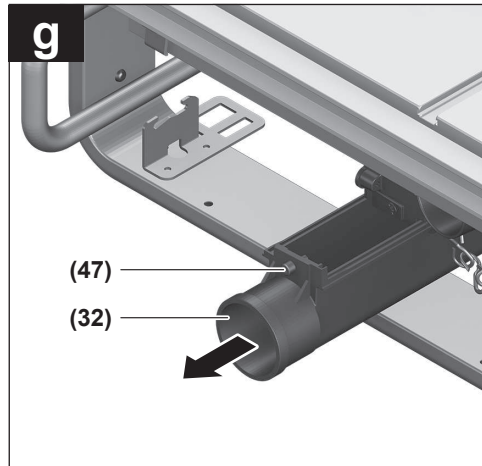
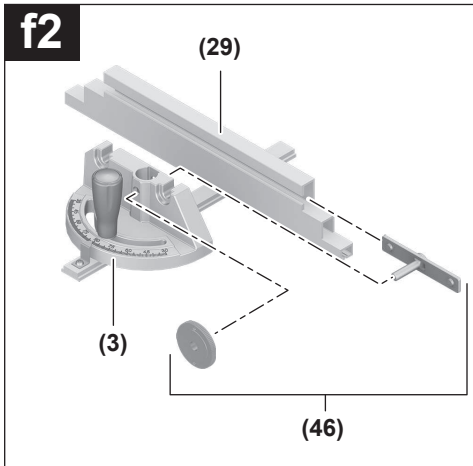
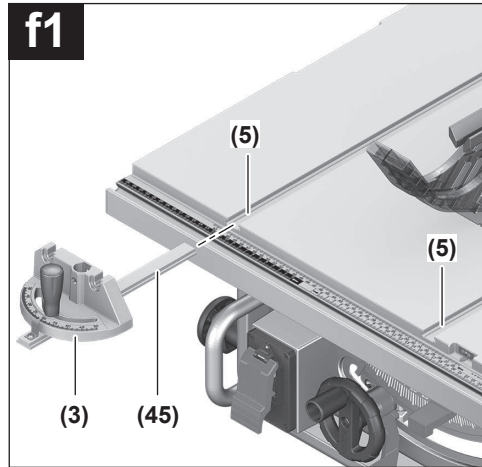
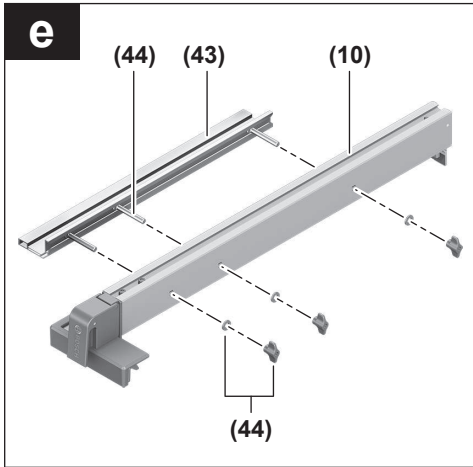


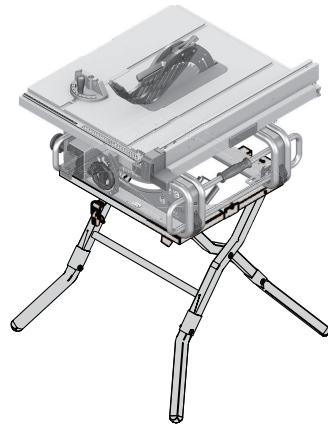
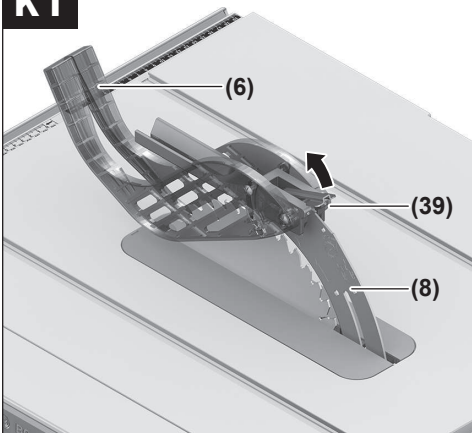
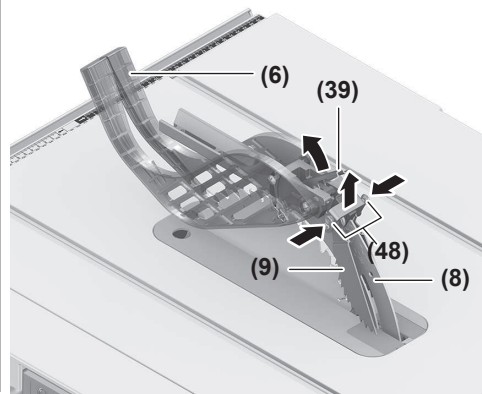
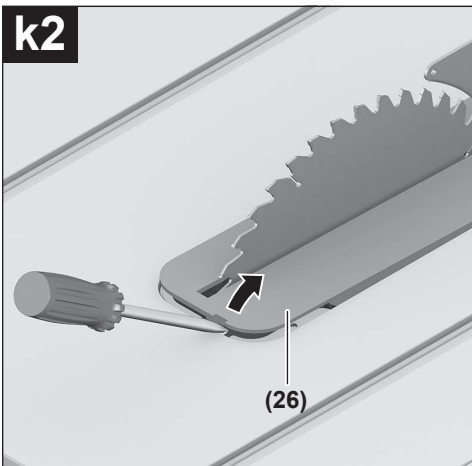
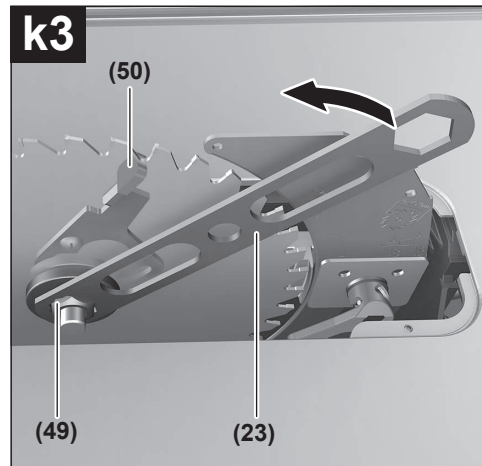


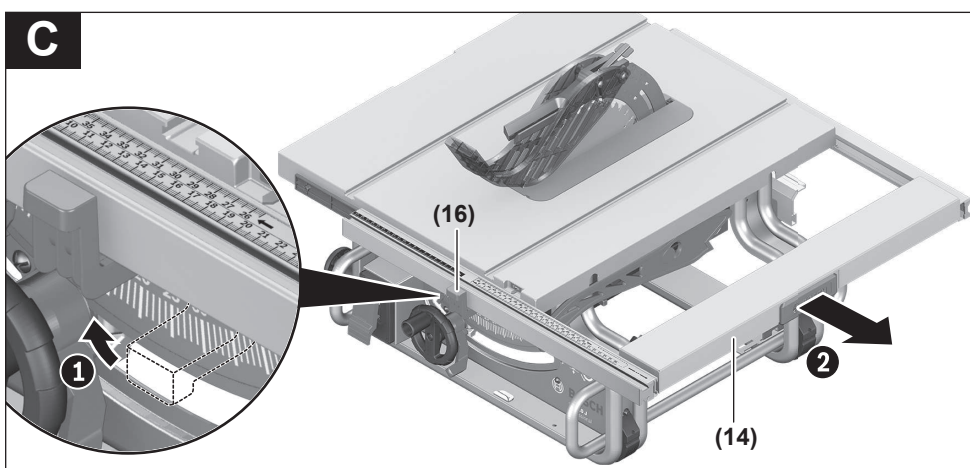
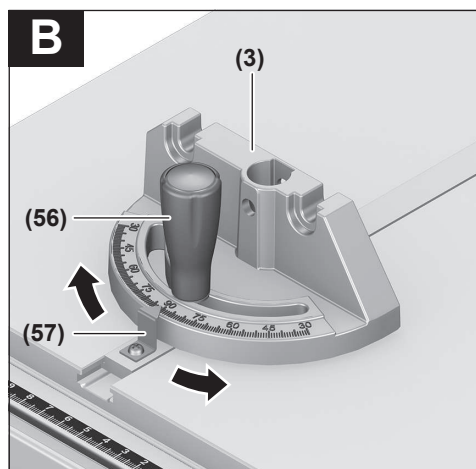
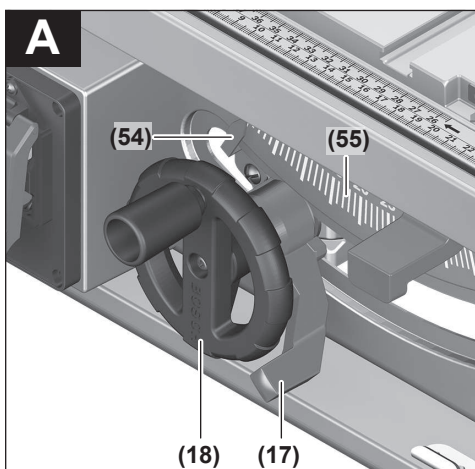
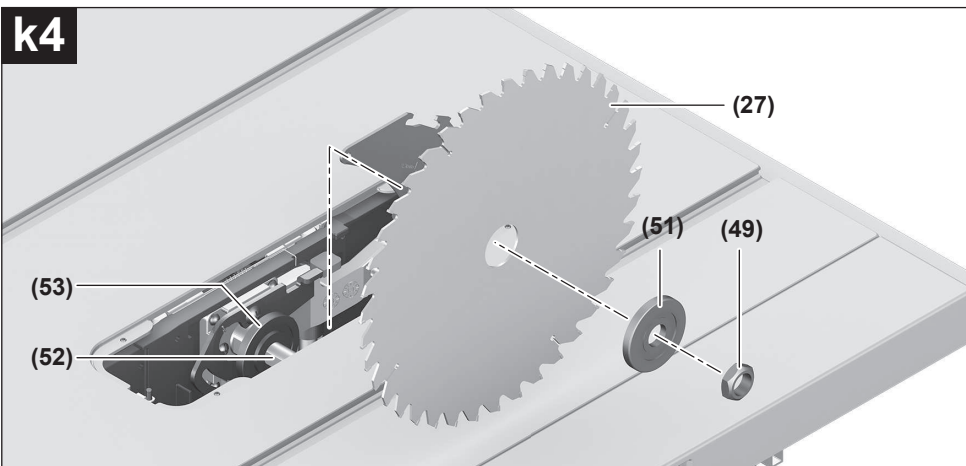




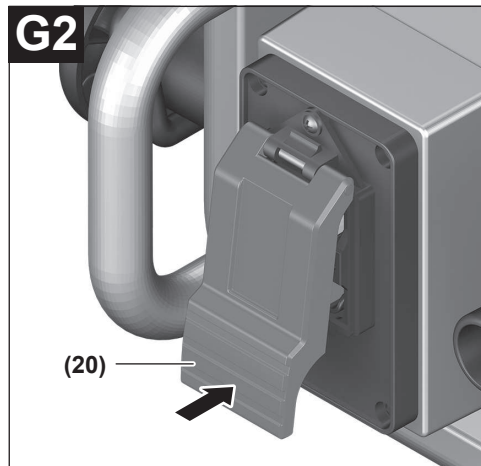
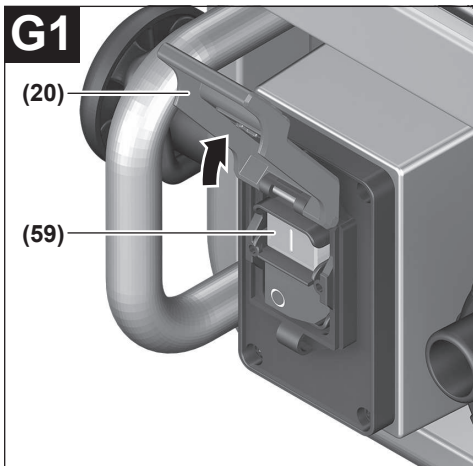
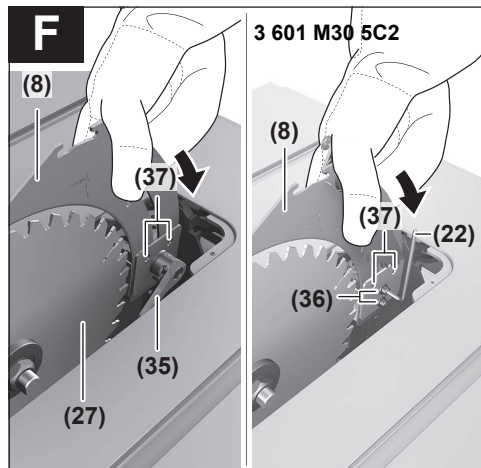
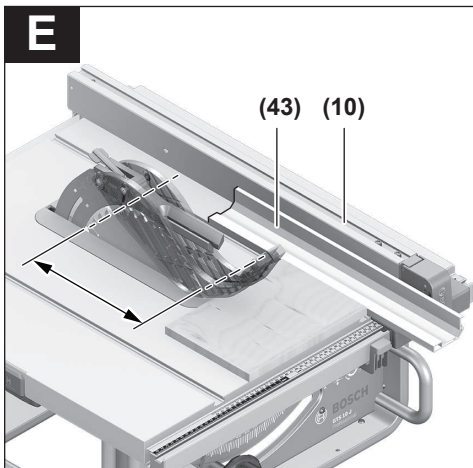
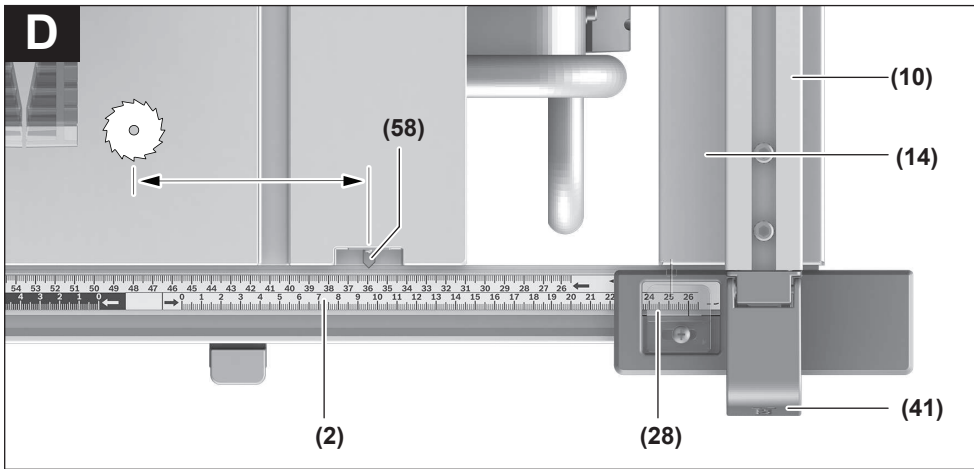


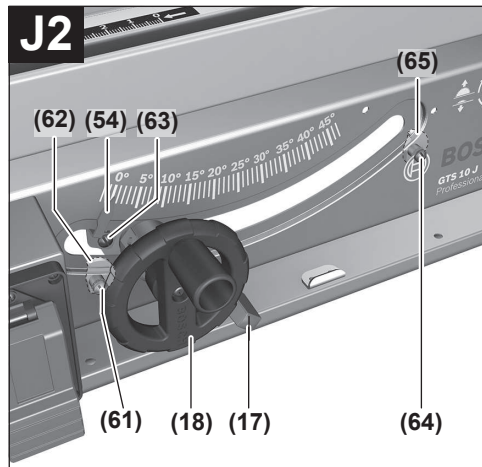
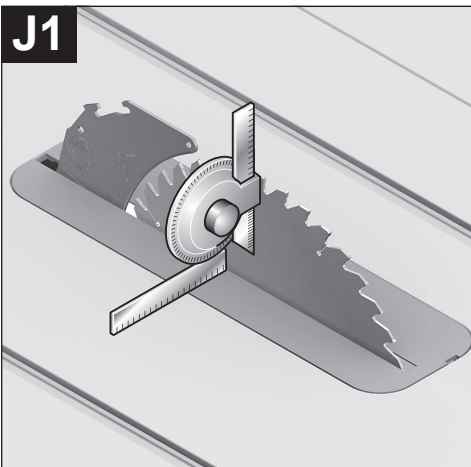
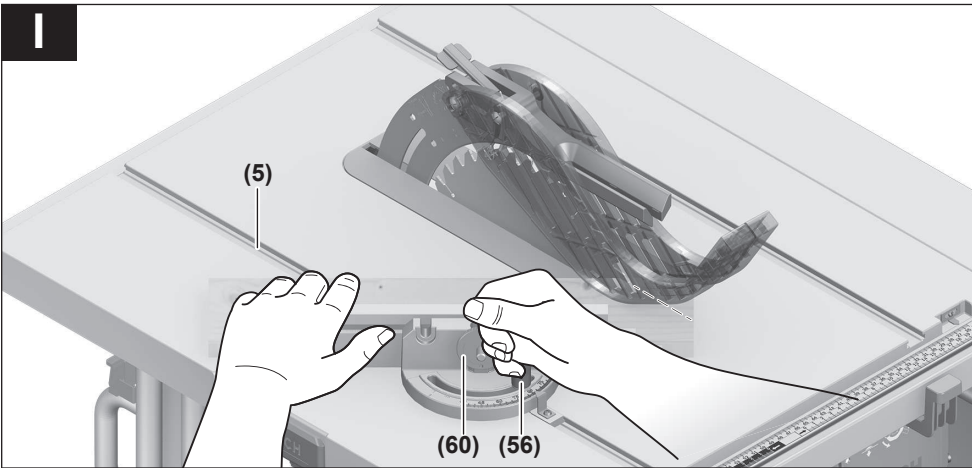
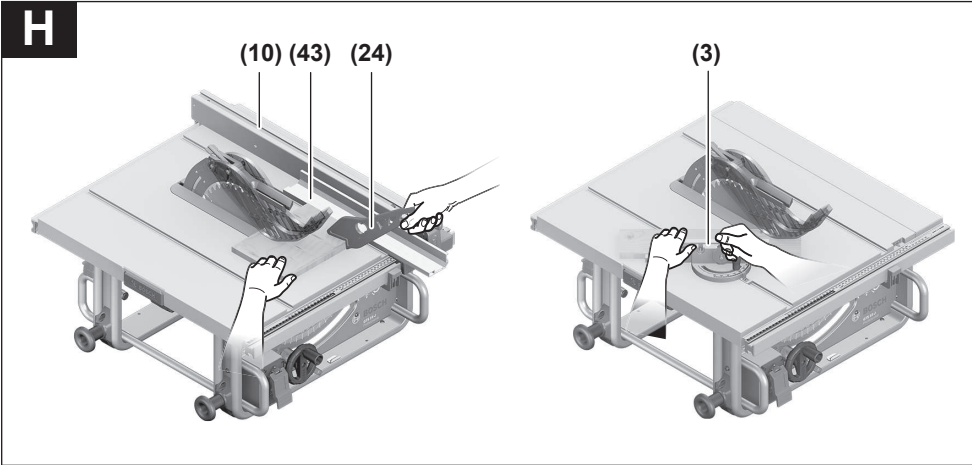


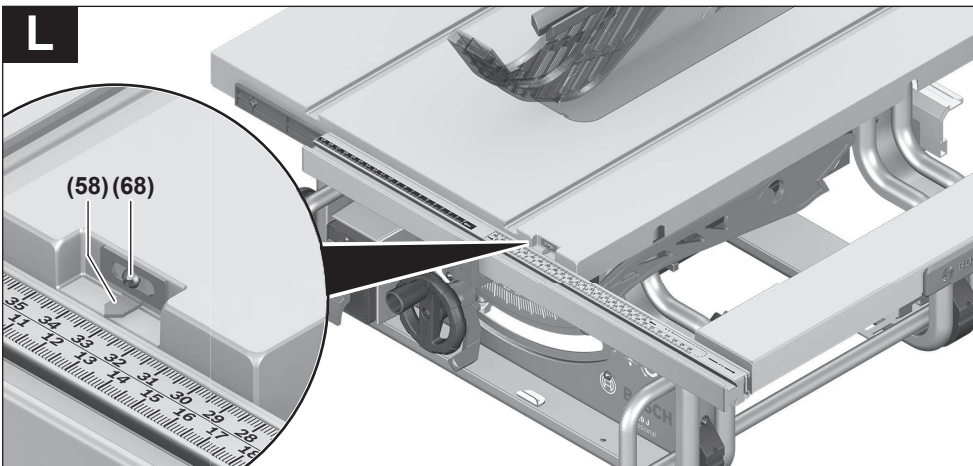
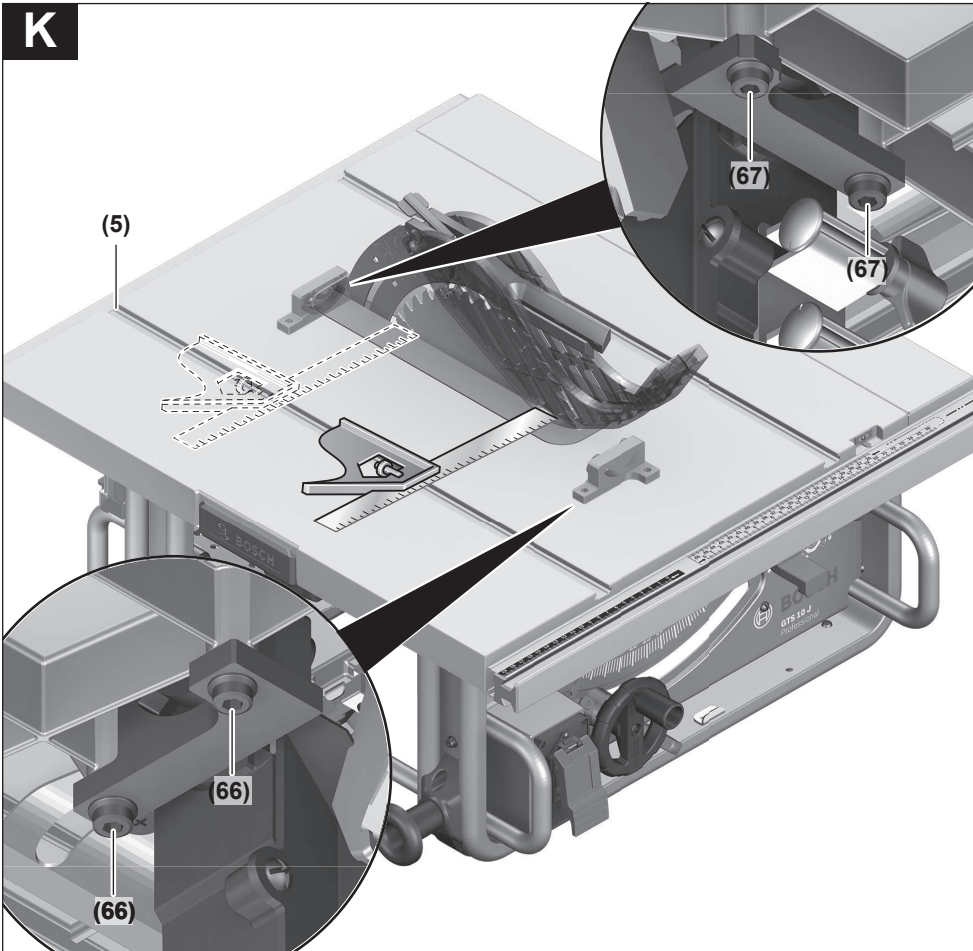
**j****k1****3 601 M30 5C2****k2****k3**



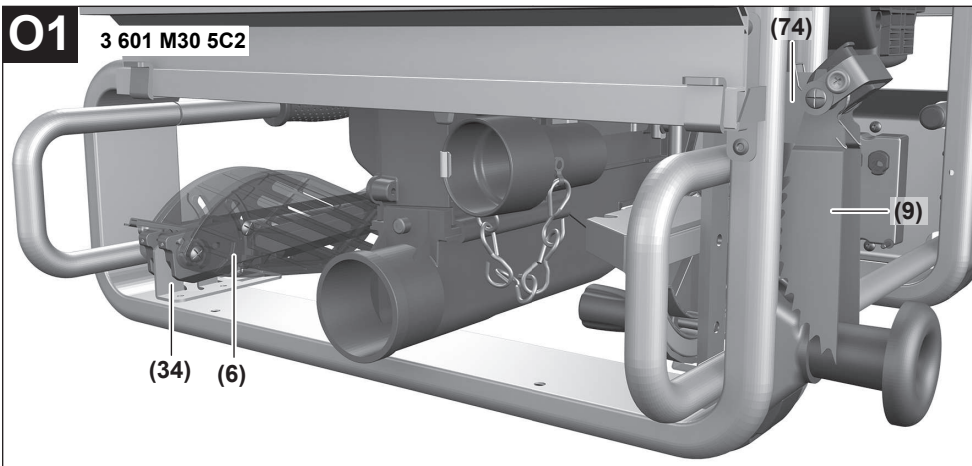
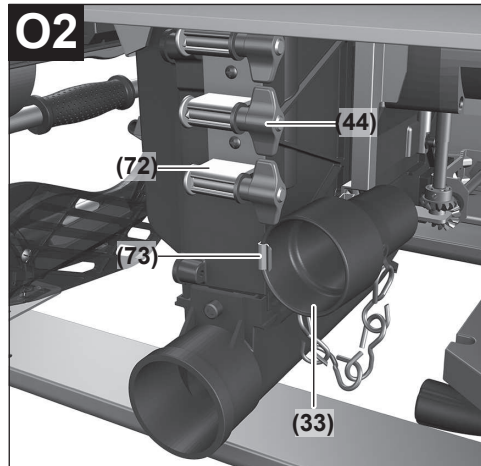
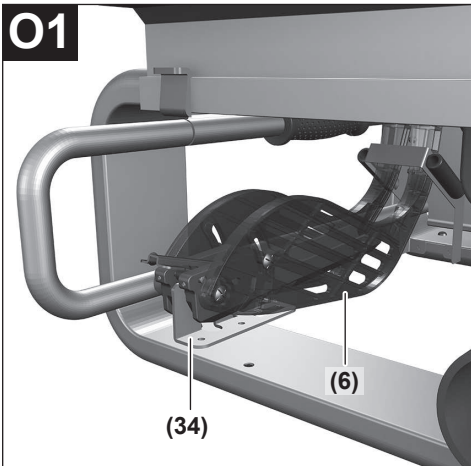
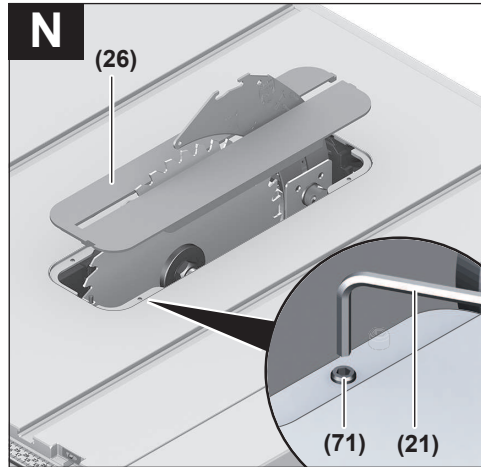
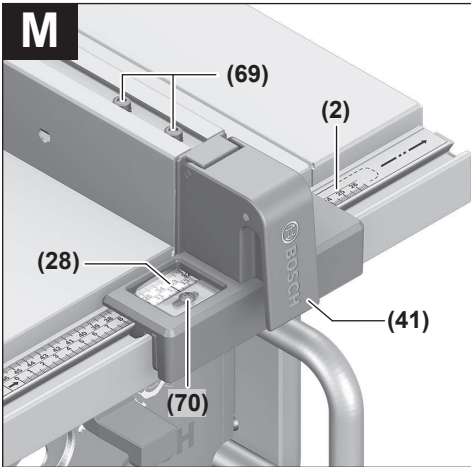


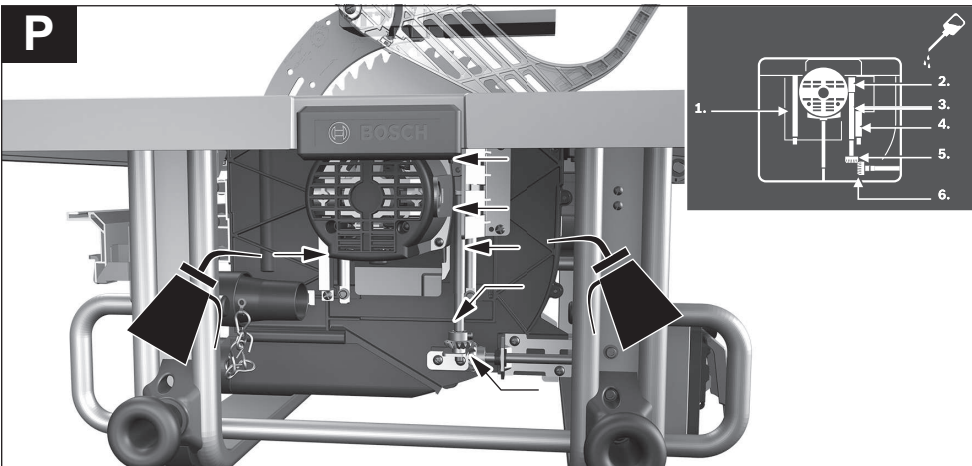
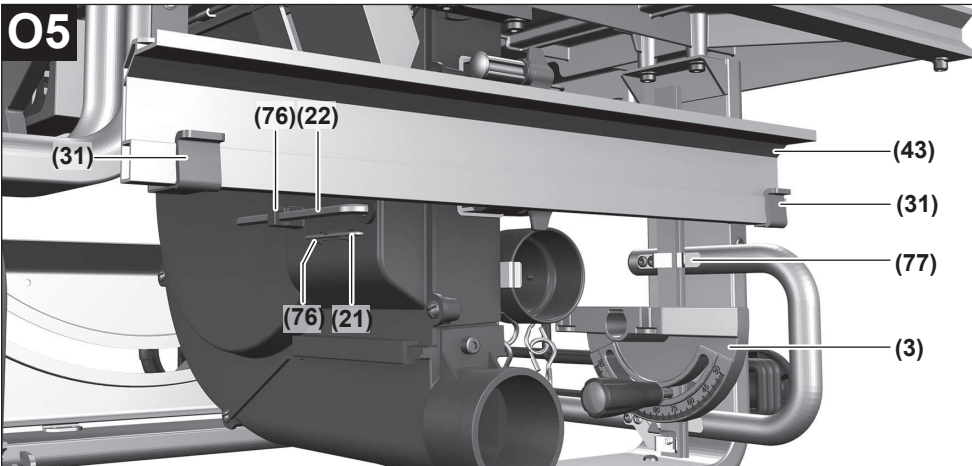
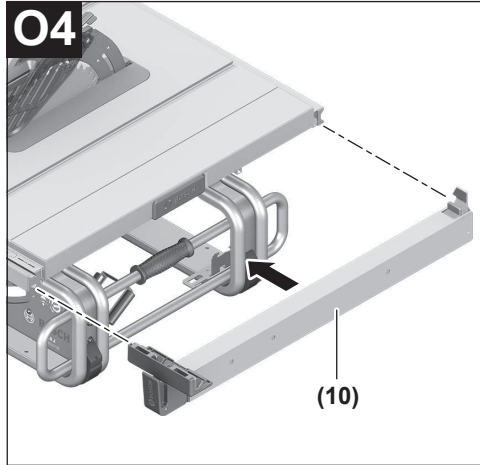
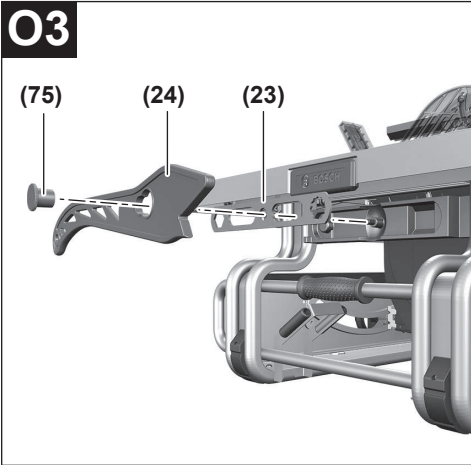












# English

## Safety Instructions

### General Power Tool Safety Warnings

**⚠ WARNING** Read all safety warnings, instructions, illustrations and specifications provided with this power tool. Failure to follow all instructions listed below may result in electric shock, fire and/or serious injury.

**Save all warnings and instructions for future reference.**

The term "power tool" in the warnings refers to your mains-operated (corded) power tool or battery-operated (cordless) power tool.

#### Work area safety

- ▶ **Keep work area clean and well lit.** Cluttered or dark areas invite accidents.
- ▶ **Do not operate power tools in explosive atmospheres, such as in the presence of flammable liquids, gases or dust.** Power tools create sparks which may ignite the dust or fumes.
- ▶ **Keep children and bystanders away while operating a power tool.** Distractions can cause you to lose control.

#### Electrical safety

- ▶ **Power tool plugs must match the outlet. Never modify the plug in any way. Do not use any adapter plugs with earthed (grounded) power tools.** Unmodified plugs and matching outlets will reduce risk of electric shock.
- ▶ **Avoid body contact with earthed or grounded surfaces, such as pipes, radiators, ranges and refrigerators.** There is an increased risk of electric shock if your body is earthed or grounded.
- ▶ **Do not expose power tools to rain or wet conditions.** Water entering a power tool will increase the risk of electric shock.
- ▶ **Do not abuse the cord. Never use the cord for carrying, pulling or unplugging the power tool. Keep cord away from heat, oil, sharp edges or moving parts.** Damaged or entangled cords increase the risk of electric shock.
- ▶ **When operating a power tool outdoors, use an extension cord suitable for outdoor use.** Use of a cord suitable for outdoor use reduces the risk of electric shock.
- ▶ **If operating a power tool in a damp location is unavoidable, use a residual current device (RCD) protected supply.** Use of an RCD reduces the risk of electric shock.

#### Personal safety

- ▶ **Stay alert, watch what you are doing and use common sense when operating a power tool. Do not use a power tool while you are tired or under the influence of drugs, alcohol or medication.** A moment of inatten-

tion while operating power tools may result in serious personal injury.

- ▶ **Use personal protective equipment. Always wear eye protection.** Protective equipment such as a dust mask, non-skid safety shoes, hard hat or hearing protection used for appropriate conditions will reduce personal injuries.
- ▶ **Prevent unintentional starting. Ensure the switch is in the off-position before connecting to power source and/or battery pack, picking up or carrying the tool.** Carrying power tools with your finger on the switch or energising power tools that have the switch on invites accidents.
- ▶ **Remove any adjusting key or wrench before turning the power tool on.** A wrench or a key left attached to a rotating part of the power tool may result in personal injury.
- ▶ **Do not overreach. Keep proper footing and balance at all times.** This enables better control of the power tool in unexpected situations.
- ▶ **Dress properly. Do not wear loose clothing or jewellery. Keep your hair and clothing away from moving parts.** Loose clothes, jewellery or long hair can be caught in moving parts.
- ▶ **If devices are provided for the connection of dust extraction and collection facilities, ensure these are connected and properly used.** Use of dust collection can reduce dust-related hazards.
- ▶ **Do not let familiarity gained from frequent use of tools allow you to become complacent and ignore tool safety principles.** A careless action can cause severe injury within a fraction of a second.

#### Power tool use and care

- ▶ **Do not force the power tool. Use the correct power tool for your application.** The correct power tool will do the job better and safer at the rate for which it was designed.
- ▶ **Do not use the power tool if the switch does not turn it on and off.** Any power tool that cannot be controlled with the switch is dangerous and must be repaired.
- ▶ **Disconnect the plug from the power source and/or remove the battery pack, if detachable, from the power tool before making any adjustments, changing accessories, or storing power tools.** Such preventive safety measures reduce the risk of starting the power tool accidentally.
- ▶ **Store idle power tools out of the reach of children and do not allow persons unfamiliar with the power tool or these instructions to operate the power tool.** Power tools are dangerous in the hands of untrained users.
- ▶ **Maintain power tools and accessories. Check for misalignment or binding of moving parts, breakage of parts and any other condition that may affect the power tool's operation. If damaged, have the power tool repaired before use.** Many accidents are caused by poorly maintained power tools.

- ▶ **Keep cutting tools sharp and clean.** Properly maintained cutting tools with sharp cutting edges are less likely to bind and are easier to control.
- ▶ **Use the power tool, accessories and tool bits etc. in accordance with these instructions, taking into account the working conditions and the work to be performed.** Use of the power tool for operations different from those intended could result in a hazardous situation.
- ▶ **Keep handles and grasping surfaces dry, clean and free from oil and grease.** Slippery handles and grasping surfaces do not allow for safe handling and control of the tool in unexpected situations.

#### Service


- ▶ **Have your power tool serviced by a qualified repair person using only identical replacement parts.** This will ensure that the safety of the power tool is maintained.

### Safety instructions for table saws

#### Guarding related warnings

- ▶ **Keep guards in place. Guards must be in working order and be properly mounted.** A guard that is loose, damaged, or is not functioning correctly must be repaired or replaced.
- ▶ **Always use saw blade guard, riving knife and anti-kickback device for every through-cutting operation.** For through-cutting operations where the saw blade cuts completely through the thickness of the workpiece, the guard and other safety devices help reduce the risk of injury.
- ▶ **Immediately reattach the guarding system after completing an operation (such as rabbeting, dadoing or resawing cuts) which requires removal of the guard, riving knife and/or anti-kickback device.** The guard, riving knife and anti-kickback device help to reduce the risk of injury.
- ▶ **Make sure the saw blade is not contacting the guard, riving knife or the workpiece before the switch is turned on.** Inadvertent contact of these items with the saw blade could cause a hazardous condition.
- ▶ **Adjust the riving knife as described in this instruction manual.** Incorrect spacing, positioning and alignment can make the riving knife ineffective in reducing the likelihood of kickback.
- ▶ **For the riving knife and anti-kickback device to work, they must be engaged in the workpiece.** The riving knife and anti-kickback device are ineffective when cutting workpieces that are too short to be engaged with the riving knife and anti-kickback device. Under these conditions a kickback cannot be prevented by the riving knife and anti-kickback device.
- ▶ **Use the appropriate saw blade for the riving knife.** For the riving knife to function properly, the saw blade diameter must match the appropriate riving knife and the body of the saw blade must be thinner than the thickness of the riving knife and the cutting width of the saw blade must be wider than the thickness of the riving knife.

#### Cutting procedures warnings

- ▶  **DANGER: Never place your fingers or hands in the vicinity or in line with the saw blade.** A moment of inattention or a slip could direct your hand towards the saw blade and result in serious personal injury.
- ▶ **Feed the workpiece into the saw blade only against the direction of rotation.** Feeding the workpiece in the same direction that the saw blade is rotating above the table may result in the workpiece, and your hand, being pulled into the saw blade.
- ▶ **Never use the mitre gauge to feed the workpiece when ripping and do not use the rip fence as a length stop when cross cutting with the mitre gauge.** Guiding the workpiece with the rip fence and the mitre gauge at the same time increases the likelihood of saw blade binding and kickback.
- ▶ **When ripping, always apply the workpiece feeding force between the fence and the saw blade. Use a push stick when the distance between the fence and the saw blade is less than 150mm, and use a push block when this distance is less than 50 mm.** "Work helping" devices will keep your hand at a safe distance from the saw blade.
- ▶ **Use only the push stick provided by the manufacturer or constructed in accordance with the instructions.** This push stick provides sufficient distance of the hand from the saw blade.
- ▶ **Never use a damaged or cut push stick.** A damaged push stick may break causing your hand to slip into the saw blade.
- ▶ **Do not perform any operation "freehand". Always use either the rip fence or the mitre gauge to position and guide the workpiece.** "Freehand" means using your hands to support or guide the workpiece, in lieu of a rip fence or mitre gauge. Freehand sawing leads to misalignment, binding and kickback.
- ▶ **Never reach around or over a rotating saw blade.** Reaching for a workpiece may lead to accidental contact with the moving saw blade.
- ▶ **Provide auxiliary workpiece support to the rear and/or sides of the saw table for long and/or wide workpieces to keep them level.** A long and/or wide workpiece has a tendency to pivot on the table's edge, causing loss of control, saw blade binding and kickback.
- ▶ **Feed workpiece at an even pace. Do not bend or twist the workpiece. If jamming occurs, turn the tool off immediately, unplug the tool then clear the jam.** Jamming the saw blade by the workpiece can cause kickback or stall the motor.
- ▶ **Do not remove pieces of cut-off material while the saw is running.** The material may become trapped between the fence or inside the saw blade guard and the saw blade pulling your fingers into the saw blade. Turn the saw off and wait until the saw blade stops before removing material.

- ▶ **Use an auxiliary fence in contact with the table top when ripping workpieces less than 2 mm thick.** A thin workpiece may wedge under the rip fence and create a kickback.

#### Kickback causes and related warnings

Kickback is a sudden reaction of the workpiece due to a pinched, jammed saw blade or misaligned line of cut in the workpiece with respect to the saw blade or when a part of the workpiece binds between the saw blade and the rip fence or other fixed object.

Most frequently during kickback, the workpiece is lifted from the table by the rear portion of the saw blade and is propelled towards the operator.

Kickback is the result of saw misuse and/or incorrect operating procedures or conditions and can be avoided by taking proper precautions as given below.

- ▶ **Never stand directly in line with the saw blade. Always position your body on the same side of the saw blade as the fence.** Kickback may propel the workpiece at high velocity towards anyone standing in front and in line with the saw blade.
- ▶ **Never reach over or in back of the saw blade to pull or to support the workpiece.** Accidental contact with the saw blade may occur or kickback may drag your fingers into the saw blade.
- ▶ **Never hold and press the workpiece that is being cut off against the rotating saw blade.** Pressing the workpiece being cut off against the saw blade will create a binding condition and kickback.
- ▶ **Align the fence to be parallel with the saw blade.** A misaligned fence will pinch the workpiece against the saw blade and create kickback.
- ▶ **Use a featherboard to guide the workpiece against the table and fence when making non-through cuts such as rabbeting, dadoing or resawing cuts.** A featherboard helps to control the workpiece in the event of a kickback.
- ▶ **Support large panels to minimise the risk of saw blade pinching and kickback.** Large panels tend to sag under their own weight. Support(s) must be placed under all portions of the panel overhanging the table top.
- ▶ **Use extra caution when cutting a workpiece that is twisted, knotted, warped or does not have a straight edge to guide it with a mitre gauge or along the fence.** A warped, knotted, or twisted workpiece is unstable and causes misalignment of the kerf with the saw blade, binding and kickback.
- ▶ **Never cut more than one workpiece, stacked vertically or horizontally.** The saw blade could pick up one or more pieces and cause kickback.
- ▶ **When restarting the saw with the saw blade in the workpiece, centre the saw blade in the kerf so that the saw teeth are not engaged in the material.** If the saw blade binds, it may lift up the workpiece and cause kickback when the saw is restarted.
- ▶ **Keep saw blades clean, sharp, and with sufficient set. Never use warped saw blades or saw blades with**

**cracked or broken teeth.** Sharp and properly set saw blades minimise binding, stalling and kickback.

#### Table saw operating procedure warnings

- ▶ **Turn off the table saw and disconnect the power cord when removing the table insert, changing the saw blade or making adjustments to the riving knife, anti-kickback device or saw blade guard, and when the machine is left unattended.** Precautionary measures will avoid accidents.
- ▶ **Never leave the table saw running unattended. Turn it off and don't leave the tool until it comes to a complete stop.** An unattended running saw is an uncontrolled hazard.
- ▶ **Locate the table saw in a well-lit and level area where you can maintain good footing and balance. It should be installed in an area that provides enough room to easily handle the size of your workpiece.** Cramped, dark areas, and uneven slippery floors invite accidents.
- ▶ **Frequently clean and remove sawdust from under the saw table and/or the dust collection device.** Accumulated sawdust is combustible and may self-ignite.
- ▶ **The table saw must be secured.** A table saw that is not properly secured may move or tip over.
- ▶ **Remove tools, wood scraps, etc. from the table before the table saw is turned on.** Distraction or a potential jam can be dangerous.
- ▶ **Always use saw blades with correct size and shape (diamond versus round) of arbour holes.** Saw blades that do not match the mounting hardware of the saw will run off-centre, causing loss of control.
- ▶ **Never use damaged or incorrect saw blade mounting means such as flanges, saw blade washers, bolts or nuts.** These mounting means were specially designed for your saw, for safe operation and optimum performance.
- ▶ **Never stand on the table saw, do not use it as a stepping stool.** Serious injury could occur if the tool is tipped or if the cutting tool is accidentally contacted.
- ▶ **Make sure that the saw blade is installed to rotate in the proper direction. Do not use grinding wheels, wire brushes, or abrasive wheels on a table saw.** Improper saw blade installation or use of accessories not recommended may cause serious injury.

#### Additional safety warnings

- ▶ **When mounting the saw blade, wear protective gloves.** This poses a risk of injury.
- ▶ **Do not use HSS saw blades.** Such saw blades can easily break.
- ▶ **Only use saw blades that match the specifications given in this operating manual and that are tested and marked in accordance with EN 847-1**
- ▶ **Never use the tool without the table insert. Replace table insert if defective.** Without flawless table inserts, injuries are possible from the saw blade.



- ▶ **Keep your work area clean.** Material mixtures are particularly hazardous. Light metal dust may catch fire or explode.
- ▶ **Choose the saw blade suited to the material you want to work on.**
- ▶ **Only use saw blades that are recommended by the power tool manufacturer and are suitable for using on the material you want to saw.**
- ▶ **Only advance the workpiece towards the saw blade when it is running.** Otherwise there is a risk of kickback occurring if the saw blade catches in the workpiece.

#### Products sold in GB only:

Your product is fitted with an BS 1363/A approved electric plug with internal fuse (ASTA approved to BS 1362).

If the plug is not suitable for your socket outlets, it should be cut off and an appropriate plug fitted in its place by an authorised customer service agent. The replacement plug should have the same fuse rating as the original plug.

The severed plug must be disposed of to avoid a possible shock hazard and should never be inserted into a mains socket elsewhere.

## Symbols

The following symbols may be important for the operation of your power tool. Please take note of these symbols and their meaning. Correctly interpreting the symbols will help you to operate the power tool more effectively and safely.

#### Symbols and their meaning



**Keep hands away from the cutting area while the power tool is running.** Contact with the saw blade can lead to injuries.



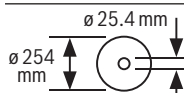
**Wear a dust mask.**



**Wear hearing protection.** Exposure to noise can cause hearing loss.



**Wear safety goggles.**

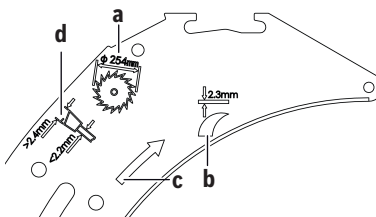


Take note of the dimensions of the saw blade. The hole diameter must fit the tool spindle without play. If it is necessary to use reducers, ensure that the dimensions of the re-

#### Symbols and their meaning

ducers are suitable for the base blade thickness and the saw blade hole diameter, as well as the tool spindle diameter. Wherever possible, use the reducers provided with the saw blade.

The saw blade diameter must match the information specified on the symbol.

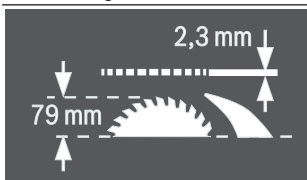


**a** The saw blade must be no more than 254 mm in diameter.

**b** The riving knife is 2.3 mm thick.

**c** The cutting direction of the teeth (direction of the arrow on the saw blade) must match the direction of the arrow on the riving knife.

**d** When changing the saw blade, make sure that the cutting width is no smaller than 2.4 mm and the base blade thickness is no larger than 2.2 mm. Otherwise, there is a risk that the riving knife will hook into the workpiece.



The riving knife is 2.3 mm thick.

The maximum possible workpiece height is 79 mm.



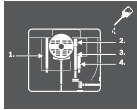
#### Left-hand side:

Indicates the direction of rotation of the crank for lowering (**transport position**) and raising (**work position**) the saw blade.

#### Right-hand side:

Indicates the position of the locking lever for securing the saw blade and setting the bevel angle (saw blade can be swivelled).

### Symbols and their meaning



Oil the power tool as necessary at the points indicated.



Protection class II power tools are strengthened or double-insulated.



The CE mark provides confirmation from the manufacturer that the power tool complies with the applicable EU Directives.

## Product Description and Specifications



### Read all the safety and general instructions.

Failure to observe the safety and general instructions may result in electric shock, fire and/or serious injury.

Please observe the illustrations at the beginning of this operating manual.

### Intended use

The power tool is a stationary machine for cutting in a straight line with and against the grain in hardwood, softwood, chipboard and fibreboard. Mitre angles of  $-60^\circ$  to  $+60^\circ$  as well as bevel angles of  $-2^\circ$  to  $47^\circ$  are possible.

It is also possible to saw aluminium profiles and plastic using the appropriate saw blades.

### Product Features

The numbering of the product features refers to the diagram of the power tool on the graphics page.

- (1) Guide groove for parallel guide
- (2) Scale for spacing between saw blade and parallel guide
- (3) Angle guide
- (4) Recessed handles
- (5) Guide groove for angle guide
- (6) Protective cover
- (7) Saw table
- (8) Riving knife
- (9) Anti-kickback pawls<sup>a)</sup>
- (10) Parallel guide
- (11) V guide groove on the saw table for the parallel guide
- (12) Mounting holes
- (13) Carrying handle
- (14) Saw table expansion
- (15) Fixing clip for the GTA 600 saw stand
- (16) Clamping handle for saw table expansion
- (17) Locking lever for setting the bevel angle
- (18) Hand wheel
- (19) Crank for raising and lowering the saw blade
- (20) On/off switch safety flap
- (21) Hex key (2 mm)
- (22) Hex key (5 mm)
- (23) Ring spanner (23 mm)
- (24) Push stick
- (25) Adjusting screw for adjusting the clamping force of the parallel guide
- (26) Table insert
- (27) Saw blade
- (28) Magnifying glass
- (29) Profile rail
- (30) Cable holder
- (31) Holding clip for storing the additional parallel guide
- (32) Chip ejector
- (33) Dust extraction adapter
- (34) Bracket for storing the protective cover
- (35) Clamping lever for riving knife
- (36) Hex socket screws for riving knife<sup>a)</sup>
- (37) Positioning pins for riving knife
- (38) Recesses for table insert
- (39) Clamping lever for protective cover
- (40) Guide pin for protective cover
- (41) Clamping handle for parallel guide
- (42) V guide for parallel guide
- (43) Additional parallel guide
- (44) "Additional parallel guide" fastening set
- (45) Guide rail for angle guide
- (46) "Profile rail" fastening set
- (47) Fastening screw for chip ejector
- (48) Push buttons for retracting the guide bolt of the anti-kickback pawls<sup>a)</sup>
- (49) Clamping nut
- (50) Spindle locking lever
- (51) Clamping flange
- (52) Tool spindle
- (53) Mounting flange
- (54) Angle indicator (vertical)
- (55) Scale for bevel angles
- (56) Locking knob for all mitre angles
- (57) Angle indicator on the angle guide
- (58) Saw table spacing indicator
- (59) On button
- (60) Knurled nut for profile rail

- (61) Cross-head screw for setting the 0° stop
  - (62) Stop for 0° bevel angle
  - (63) Screw for bevel angle indicator
  - (64) Cross-head screw for setting the 45° stop
  - (65) Stop for 45° bevel angle
  - (66) Hex socket screws (5 mm) on the front for adjusting the parallelism of the saw blade
  - (67) Hex socket screws (5 mm) on the rear for adjusting the parallelism of the saw blade
  - (68) Screw for saw table spacing indicator
  - (69) Hex socket screws (5 mm) for adjusting the parallelism of the parallel guide
  - (70) Screw for parallel guide spacing indicator
  - (71) Adjusting screws for table insert
  - (72) Bracket for storing the "additional parallel guide" fastening set
  - (73) Holding clip for storing the dust extraction adapter
  - (74) Bracket for storing the anti-kickback pawls<sup>a)</sup>
  - (75) Securing nut for the ring spanner and for hanging the push stick
  - (76) Bracket for storing the hex key
  - (77) Holding clip for storing the angle guide
- a) Country version **3 601 M30 5C2**

### Technical Data

Table saw		GTS 10 J	GTS 10 J
		<b>3 601 M30 5..</b>	<b>3 601 M30 5C2</b>
Article number			
Rated power input	W	1800	1700
Rated voltage	V	220-240	120
Frequency	Hz	50/60	60
No-load speed	min <sup>-1</sup>	3650	3700
Starting current limitation		●	●
Weight according to EPTA-Procedure 01:2014	kg	26.2	26.2
Protection class		□/II	□/II
Dimensions (including detachable parts of the tool)			
Width x depth x height	mm	640 x 706 x 330	640 x 706 x 330
<b>Dimensions of suitable saw blades</b>			
Saw blade diameter	mm	254	254
Base blade thickness	mm	< 2.2	< 2.2
Min. tooth thickness/offset	mm	> 2.4	> 2.4
Hole diameter	mm	25.4	25.4

Maximum workpiece dimensions: (see "Maximum workpiece dimensions", page 25)

The specifications apply to a rated voltage [U] of 230 V. These specifications may vary at different voltages and in country-specific models.

## Assembly

- ▶ **Avoid starting the power tool unintentionally. The mains plug must not be connected to the power supply during assembly or when carrying out any kind of work on the power tool.**

### Items included

Check to ensure that all the parts listed below have been supplied before using the power tool for the first time:

- Table saw with fitted saw blade (27) and riving knife (8)
- Angle guide (3)
- Profile rail (29)
- "Profile rail" fastening set (46) (guide plate, knurled nut, screw, washer)

- Parallel guide
- Additional parallel guide (43)
- "Additional parallel guide" fastening set (44) (3 fastening screws, 3 washers, 3 wing nuts)
- Protective cover (6)
- Anti-kickback pawls (9) (Country version **3 601 M30 5C2**)
- Hex key (22)
- Hex key (21)
- Ring spanner (23)
- Push stick (24)
- Table insert (26)
- Dust extraction adapter (33)

**Note:** Check the power tool for possible damage.

Before continuing to use the power tool, carefully check that all protective devices or slightly damaged parts are working perfectly and according to specifications. Check that the moving parts are working perfectly and without jamming; check whether any parts are damaged. All parts must be fit-



ted correctly and all the conditions necessary to ensure smooth operation must be met.

If the protective devices or any parts become damaged, you must have them properly repaired or replaced by an authorised service centre.

### Fitting individual components

- Carefully remove all parts included in the delivery from their packaging.
- Remove all packing material from the power tool and the accessories provided.
- Make sure that you remove the packaging material beneath the motor block.

The following parts of the tool are attached directly to the housing: Push stick (24), ring spanner (23), hex key (22) and (21), parallel guide (10), angle guide (3), dust extraction adapter (33), additional parallel guide (43) with fastening set (44), protective cover (6).

- If you require one of these parts, remove it carefully from its storage location.

### Positioning the riving knife (see figures a1–a2)

**Note:** If necessary, clean all parts to be fitted before you position them.

- Turn the crank (19) clockwise as far as possible so that the saw blade (27) is in the highest possible position above the saw table.
- Loosen the clamping lever (35).  
or  
country version **3 601 M30 5C2**: Loosen the hex socket screws (36) with the hex key (22).
- Slide the riving knife (8) towards the clamping lever (35) until it can be pulled upwards.
- Pull the riving knife all the way up until it is positioned exactly over the centre of the saw blade.
- Allow both pins (37) to engage in the lower bore holes in the riving knife and then retighten the clamping lever (35) or the hex socket screws (36).

### Fitting the table insert (see figure b)

- Hook the table insert (26) into the rear recesses (38) of the tool chamber.
- Guide the table insert down.
- Press down on the table insert until it engages in the front of the tool chamber.

The front side of the table insert (26) must lie flush with or a little below the saw table; the rear must lie flush with or a little above the saw table.

### Fitting the protective cover (see figures c1–c2)

**Note:** Only fit the protective cover when the riving knife is in the top position directly over the centre of the saw blade (see figure a2). Do not fit the protective cover when the riving knife is in the bottom position (position when delivered/ position for sawing grooves) (see figure a1).

- Loosen the clamping lever (39) and remove the protective cover (6) from the bracket (34).

- Hold the saw blade guard (upper metal rail) of the protective cover (6) with one hand, while using the other hand to move the clamping lever (39) up.
- Push the guide pin (40) backwards into the groove on the riving knife (8).
- Move the protective cover (6) down until the saw blade guard (upper metal rail) is **parallel** with the surface of the saw table (7).
- Push the clamping lever (39) down. The clamping lever must be felt and heard to engage; the protective cover (6) must be securely and safely fitted.
- ▶ **Always check that the blade guard can move properly before use. Do not use the power tool if the blade guard cannot move freely and does not close immediately.**

### Fitting the parallel guide (see figure d)

The parallel guide (10) can be positioned on either the left or the right of the saw blade.

- Loosen the clamping handle (41) of the parallel guide (10). This lightens the load on the V guide (42).
- First insert the parallel guide with the V guide into the guide groove (11) of the saw table. Then position the parallel guide in the front guide groove (1) of the saw table. The parallel guide can now be moved freely.
- To secure the parallel guide, push the clamping handle (41) down.

### Fitting the additional parallel guide (see figure e)

**To saw narrow workpieces and bevel angles**, you must fit the additional parallel guide (43) on the parallel guide (10). The additional parallel guide can be fitted on the left or right of the parallel guide (10) as required.

Use the "additional parallel guide" fastening set (44) (two fastening screws, two washers, two wing nuts) for fitting the guide.

- Slide the fastening screws through the lateral holes on the parallel guide (10).
- The heads of the screws are used to guide the additional parallel guide.
- Slide the additional parallel guide (43) over the heads of the fastening screws.
- Place the washers on the fastening screws and tighten the screws using the wing nuts.

### Fitting the angle guide (see figure f1-f2)

- Push the rail (45) of the angle guide (3) into one of the guide grooves (5) provided in the saw table.

To make it easier to position long workpieces, the angle guide can be extended with the profile rail (29).

- If necessary, fit the profile rail on the angle guide using the fastening set (46).

### Dust/chip extraction

The dust from materials such as lead paint, some types of wood, minerals and metal can be harmful to human health. Touching or breathing in this dust can trigger allergic reac-

tions and/or cause respiratory illnesses in the user or in people in the near vicinity.

Certain dusts, such as oak or beech dust, are classified as carcinogenic, especially in conjunction with wood treatment additives (chromate, wood preservative). Materials containing asbestos may only be machined by specialists.

- Use a dust extraction system that is suitable for the material wherever possible.
- Provide good ventilation at the workplace.
- It is advisable to wear a P2 filter class breathing mask.

The regulations on the material being machined that apply in the country of use must be observed.

The dust/chip extraction system can be blocked by dust, chips or fragments of the workpiece.

- Switch the power tool off and pull the mains plug out of the socket.
- Wait until the saw blade has come to a complete stop.
- Determine the cause of the blockage and eliminate it.
- ▶ **Avoid dust accumulation at the workplace.** Dust can easily ignite.
- ▶ **To prevent the risk of fire when sawing aluminium, empty the chip ejector and do not use chip extraction.**

#### Emptying the chip ejector (see figure g)

You can empty the chip ejector (32) to remove workpiece fragments and large chips.

- Switch the power tool off and pull the mains plug out of the socket.
- Wait until the saw blade has come to a complete stop.
- Loosen the fastening screw (47) using the hex key (22).
- Pull out the chip ejector (32) and remove the workpiece fragments and chips.
- Refit the chip ejector on the power tool.

#### External dust extraction (see figure h)

Use the dust extraction adapter (33) provided to connect a dust extractor to the chip ejector (32).

- Securely attach the dust extraction adapter (33) and the dust extraction hose.

The dust extractor must be suitable for the material being worked.

When extracting dry dust that is especially detrimental to health or carcinogenic, use a special dust extractor.

#### Stationary or flexible mounting

- ▶ **To ensure safe handling, the power tool must be mounted on a flat, stable work surface (e.g. work bench) before use.**

#### Mounting on a work surface (see figure i)

- Use suitable screw fasteners to secure the power tool to the work surface. The holes (12) are used for this purpose.

#### Mounting on a Bosch saw stand (see figure j)

Thanks to their height-adjustable legs, Bosch saw stands (e.g. GTA 600) provide firm support for the power tool on any surface.

- ▶ **Read all the warnings and instructions included with the saw stand.** Failure to observe the warnings and follow instructions may result in electric shock, fire and/or serious injury.
- ▶ **Assemble the saw stand properly before mounting the power tool.** Correct assembly is important to prevent the risk of collapsing.
- Mount the power tool on the saw stand in the transport position.

#### Changing the saw blade (see figures k1–k4)

- ▶ **Pull the plug out of the socket before carrying out any work on the power tool.**
- ▶ **When mounting the saw blade, wear protective gloves.** This poses a risk of injury.
- ▶ **Only use saw blades the maximum permitted speed of which is higher than the no-load speed of the power tool.**
- ▶ **Only use saw blades that match the specifications given in this operating manual and that are tested and marked in accordance with EN 847-1**
- ▶ **Only use saw blades that are recommended by the power tool manufacturer and are suitable for use on the material you want to saw.** This prevents the saw tooth tips from overheating and the plastic you want to saw from melting.
- ▶ **Do not use HSS saw blades.** Such saw blades can easily break.

#### Removing the saw blade

- Turn the crank (19) clockwise as far as possible so that the saw blade (27) is in the highest possible position above the saw table.
- Open the clamping lever (39) and pull the protective cover (6) out of the groove on the riving knife (8).
- Additionally, for country version 3 601 M30 5C2 : Press the push buttons (48) and retract the anti-kickback pawls (9) from the hole in the riving knife (8).
- Use a screwdriver to lift the table insert (26) at the front and remove it from the tool chamber.
- Turn the clamping nut (49) using the ring spanner (23) while pulling the spindle locking lever (50) until it engages.
- Keep pulling the spindle locking lever and unscrew the clamping nut anticlockwise.
- Remove the clamping flange (51).
- Remove the saw blade (27).

#### Fitting the saw blade

If necessary, clean all the parts you want to fit before installing them.

- Place the new saw blade on the mounting flange (53) of the tool spindle (52).

**Note:** Use sufficiently large saw blades. The radial clearance between the saw blade and the riving knife must not exceed 3–8 mm (max.).

- ▶ **When mounting the saw blade, ensure that the cutting direction of the teeth (direction of the arrow on the saw blade) matches the direction of the arrow on the riving knife.**
- Fit the clamping flange (51) and the clamping nut (49).
- Turn the clamping nut (49) using the ring spanner (23) while pulling the spindle locking lever (50) until it engages.
- Tighten the clamping nut by turning it clockwise.
- Reinsert the table insert (26).
- Refit the protective cover (6).
- In addition for country version **3 601 M30 5C2**: Refit the anti-kickback pawls (9).

## Operation

- ▶ **Pull the plug out of the socket before carrying out any work on the power tool.**

### Transport position and work position of the saw blade

#### Transport position

- Remove the protective cover (6), remove the table insert (26) and place the riving knife (8) in the bottom position. Reinsert the table insert (26).
- Turn the crank (19) anticlockwise until the teeth of the saw blade (27) lie below the saw table (7).
- Push the saw table expansion (14) in fully. Push the clamping handle (16) down. This fixes the saw table expansion in place.

#### Work position

- Position the riving knife (8) in the top position directly over the centre of the saw blade, insert the table insert (26) and fit the protective cover (6).
- Turn the crank (19) clockwise until the top teeth of the saw blade (27) are approx. 3–6 mm above the workpiece.

### Setting mitre and bevel angles

To ensure precise cuts, the basic settings of the power tool must be checked and adjusted as necessary after intensive use.

#### Setting Bevel Angles (saw blade) (see figure A)

The bevel angle can be set between  $-2^\circ$  and  $47^\circ$ .

- Loosen the locking lever (17) by turning it anticlockwise.

**Note:** When the locking lever is fully loosened, gravity causes the saw blade to tilt into a position that corresponds to approximately  $30^\circ$ .

- Pull or push the hand wheel (18) along the slotted link until the angle indicator (54) shows the required bevel angle.
- Hold the hand wheel in this position and retighten the locking lever (17).

**For quick and precise setting of the standard bevel angles of  $0^\circ$  and  $45^\circ$ ,** there are pre-set stops ((62)), ((65)).

#### Setting mitre angles (angle guide) (see figure B)

The mitre angle can be set between  $60^\circ$  (left-hand side) and  $60^\circ$  (right-hand side).

- Loosen the locking knob (56) if it is tightened.
- Turn the angle guide until the angle indicator (57) shows the required mitre angle.
- Retighten the locking knob (56).

### Extending the saw table

The free end of long and heavy workpieces must have something placed underneath it or be supported.

#### Saw table expansion (see figure C)

The saw table expansion (14) increases the width of the saw table (7) on the right to a maximum of 625 mm.

- Pull the clamping handle (16) for the saw table expansion all the way up.
- Pull out the saw table expansion (14) to the required length.
- Push the clamping handle (16) down. This fixes the saw table expansion in place.

### Adjusting the parallel guide

The parallel guide can be positioned on either the left (black scale) or the right (silver scale) of the saw blade. The marking in the magnifying glass (28) indicates the set distance of the parallel guide to the saw blade on the scale (2).

Position the parallel guide on the required side of the saw blade.

#### Adjusting the parallel guide

##### when the saw table is not pulled out

- Loosen the clamping handle (41) of the parallel guide. Move the parallel guide until the marking in the magnifying glass (28) indicates the desired distance from the saw blade. When the saw table is not pulled out, the lower marking on the silver scale applies (2).
- To secure it in place, push the clamping handle (41) back down.

#### Adjusting the parallel guide

##### when the saw table is pulled out (see figure D)

- Position the parallel guide on the right of the saw blade. Move the parallel guide until the marking in the magnifying glass (28) shows 26 cm on the lower scale. To secure it in place, push the clamping handle (41) back down.
- Pull the clamping handle (16) for the saw table expansion all the way up.

- Pull out the saw table expansion **(14)** until the spacing indicator **(58)** shows the desired distance from the saw blade on the upper scale.
- Push the clamping handle **(16)** down.  
This fixes the saw table expansion in place.

### Adjusting the additional parallel guide (see figure E)

To saw narrow workpieces and bevel angles, you must fit the additional parallel guide **(43)** on the parallel guide .

The additional parallel guide can be fitted on the left or right of the parallel guide as required.

When sawing, workpieces can become jammed between the parallel guide and the saw blade, caught in the saw blade as it rises and ejected.

You should therefore set the additional parallel guide so that the end of the guide is between the front tooth of the saw blade and the front edge of the riving knife.

- To do so, loosen all wing nuts of the fastening set **(44)** and move the additional parallel guide until only the front two screws are used for attachment.
- Retighten the wing nuts.

### Adjusting the riving knife

The riving knife **(8)** prevents the saw blade **(27)** from becoming jammed in the kerf. Otherwise there is a risk of kick-back occurring if the saw blade catches in the workpiece. It is therefore important to ensure that the riving knife is set up correctly:

- The radial clearance between the saw blade and the riving knife must not exceed 3–8 mm (max.).
- The thickness of the riving knife must be smaller than the cutting width and larger than the base blade thickness.
- The riving knife must always be aligned with the saw blade.
- For normal cuts, the riving knife must always be in the highest possible position.

### Adjusting the riving knife height (see figure F)

The height of the riving knife must be adjusted in order to saw grooves.

- ▶ **Only use the power tool for grooving or routing if a suitable protective guard (e.g. tunnel blade guard, featherboard) is in place.**
- Open the clamping lever **(39)** and pull the protective cover **(6)** out of the groove on the riving knife **(8)**.  
To prevent damage to the protective guard, store it in the bracket **(34)** provided on the housing (see also figure **01**).
- Additionally, for country version **3 601 M30 5C2** :  
Press the push buttons **(48)** together and retract the anti-kickback pawls **(9)** from the hole in the riving knife **(8)**.  
To securely store the anti-kickback pawls, fix them in the bracket **(74)** provided on the housing (see also figure **01**).

- Turn the crank **(19)** clockwise as far as possible so that the saw blade **(27)** is in the highest possible position above the saw table.
- Loosen the clamping lever **(35)**.  
*or*  
country version **3 601 M30 5C2** : Loosen the hex socket screws **(36)** with the hex key **(22)**.
- Pull the riving knife off the pins **(37)** (pull the clamping lever **(35)** outwards slightly) and push the riving knife **(8)** down as far as possible.
- Allow both pins **(37)** to engage in the upper bore holes in the riving knife and then retighten the clamping lever **(35)**.

### Start-up

- ▶ **Pay attention to the mains voltage.** The voltage of the power source must match the voltage specified on the rating plate of the power tool.
- ▶ **Products that are only sold in AUS and NZ:** Use a residual current device (RCD) with a nominal residual current of 30 mA or less.

### Switching on (see figure G1)

- Fold up the safety flap **(20)**.
- To start, press the green "on" button **(59)**.
- Drop the safety flap **(20)** back down.

### Switching off (see figure G2)

- Press the safety flap **(20)**.

### Power outage

The on/off switch acts as a zero-voltage switch that prevents the power tool from starting up again following a power outage (e.g. if the mains plug is removed during operation). To restart the power tool following a power outage, press the green "on" button **(59)** again.

### Practical advice

#### General sawing instructions

- ▶ **Before making any cuts, first make sure that the saw blade cannot come into contact with the stops or any other parts of the tool at any time.**
- ▶ **Only use the power tool for grooving or routing if a suitable protective guard (e.g. tunnel blade guard, featherboard) is in place.**
- ▶ **Do not use the power tool for cutting slots (stopped grooves).**

Protect the saw blade against impact and shock. Do not subject the saw blade to lateral pressure.

The riving knife must be aligned with the saw blade in order to prevent the workpiece from jamming.

Do not saw workpieces that have become bent or twisted out of shape. The workpiece must always have a straight edge to face against the parallel guide.

Always store the push stick on the power tool.

**Position of the operator (see figure H)**

► **Never stand directly in line with the saw blade. Always position your body on the same side of the saw blade as the fence.** Kickback may propel the workpiece at high velocity towards anyone standing in front and in line with the saw blade.

- Keep hands, fingers and arms away from the rotating saw blade.

Pay attention to the following instructions:

- Hold the workpiece firmly with both hands and press it securely against the saw table.
- When using narrow workpieces or sawing bevel angles, always use the push stick (24) and the additional parallel guide (43) provided.

**Maximum workpiece dimensions**

Bevel angle	max. height of the workpiece [mm]
0°	79
45°	56

**Sawing****Making straight cuts**

- Adjust the parallel guide to the desired cutting width.
- Place the workpiece on the saw table in front of the protective cover (6).
- Use the crank (19) to raise or lower the saw blade as far up or down as needed to position the top teeth of the saw blade (27) approx. 3–6 mm above the workpiece.
- Switch on the power tool.
- Saw through the workpiece applying uniform feed.  
If you apply too much pressure, the tip of the saw blade could overheat and damage the workpiece.
- Switch off the power tool and wait until the saw blade has come to a complete stop.

**Sawing a bevel angle**

- Set the required saw blade bevel angle.  
If the saw blade is tilted to the left, the parallel guide must be to the right of the blade.
- Follow the work steps set out in the (see "Making straight cuts", page 25) section

**Sawing mitre angles (see figure I)**

- Set the required mitre angle on the angle guide (3).
- Place the workpiece on the profile rail (29).  
The profile must not be positioned along the cut line. If it is, loosen the knurled nut (60) and reposition the profile rail.
- Use the crank (19) to raise or lower the saw blade as far up or down as needed to position the top teeth of the saw blade (27) approx. 3–6 mm above the workpiece.
- Switch the power tool on.
- Hold the workpiece against the profile rail (29) with one hand; place your other hand on the locking knob (56) and

slide the angle guide slowly forwards in the guide groove (5).

- Switch off the power tool and wait until the saw blade has come to a complete stop.

**Checking and adjusting the basic settings**

To ensure precise cuts, the basic settings of the power tool must be checked and adjusted as necessary after intensive use.

Experience and suitable special tools are required for this.

A Bosch after-sales service point will handle this work quickly and reliably.

**Adjusting the stops for a standard bevel angle 0°/45°**

- Bring the power tool into the work position.
- Set the saw blade to a bevel angle of 0°.
- Remove the blade guard (6).

**Checking (see figure J1)**

- Set an angle gauge to 90° and place it on the saw table (7).

The leg of the angle gauge must be flush with the saw blade (27) along its entire length.

**Setting (see figure J2)**

- Loosen the screw (61). This enables the 0° stop (62) to be moved.
- Loosen the locking lever (17).
- Slide the hand wheel (18) towards the 0° stop until the leg of the angle gauge is flush with the saw blade along its entire length.
- Hold the hand wheel in this position and retighten the locking lever (17).
- Retighten the screw (61).

If the angle indicator (54) is not aligned with the 0° mark on the scale (55) following adjustment, loosen the screw (63) using a conventional cross-headed screwdriver and align the angle indicator along the 0° mark.

Repeat the work step above for the bevel angle of 45° (loosen the screw (64); move the 45° stop (65)). The angle indicator (54) must not be repositioned when doing this.

**Parallelism of the saw blade with the guide grooves of the angle guide (see figure K)**

- Bring the power tool into the work position.
- Remove the blade guard (6).

**Checking**

- Use a pencil to mark the first left-hand saw tooth that is visible at the back above the table insert.
- Set an angle gauge to 90° and place it on the edge of the guide groove (5).
- Move the leg of the angle gauge until it touches the marked saw tooth and read the distance between the saw blade and the guide groove.
- Turn the saw blade until the marked tooth at the front lies above the table insert.
- Move the angle gauge along the guide groove up to the marked saw tooth.

- Measure the distance between the saw blade and the guide groove again.

The two measured distances must be identical.

#### Setting

- Loosen the hex socket screws (66) at the front beneath the saw table and the hex socket screws (67) at the rear beneath the saw table using the hex key (22) provided.
- Carefully move the saw blade until it lies parallel with the guide groove (5).
- Retighten all screws (66) and (67).

#### Adjusting the saw table spacing indicator (see figure L)

- Position the parallel guide on the right of the saw blade. Move the parallel guide until the marking in the magnifying glass (28) shows 26 cm on the lower scale. To secure it in place, push the clamping handle (41) back down.
- Pull the clamping handle (16) all the way up and pull the saw table expansion (14) out as far as possible.

#### Checking

The upper scale (2) of the spacing indicator (58) must show the same value as the marking in the magnifying glass (28) on the lower scale (2).

#### Setting

- Pull the saw table expansion (14) out fully.
- Loosen the screw (68) with a cross-headed screwdriver and align the spacing indicator (58) along the 26 cm mark on the upper scale (2).

#### Adjusting the parallelism of the parallel guide (see figure M)

- Bring the power tool into the work position.
- Remove the blade guard (6).
- Loosen the clamping handle (41) of the parallel guide and move it until it touches the saw blade.

#### Checking

The parallel guide must touch the saw blade along its entire length.

#### Setting

- Loosen the hex socket screws (69) using the hex key (22) provided.
- Carefully move the parallel guide until it touches the saw blade along its entire length.
- Hold the parallel guide in this position and push the clamping handle (41) down again.
- Retighten the hex socket screws (69).

#### Adjusting the clamping force of the parallel guide

The clamping force of the parallel guide can deteriorate after frequent use.

- Tighten the adjusting screw (25) until the parallel guide can be securely fixed to the saw table again.

#### Adjusting the magnifying glass of the parallel guide (see figure M)

- Bring the power tool into the work position.
- Remove the protective cover (6).

- Move the parallel guide from the right until it touches the saw blade.

#### Checking

The marking in the magnifying glass (28) must be in line with the 0 mm mark on the scale (2).

#### Setting

- Loosen the screw (70) using a cross-headed screwdriver and align the marking along the 0 mm mark.

#### Adjusting the level of the table insert (see figure N)

#### Checking

The front side of the table insert (26) must lie flush with or a little below the saw table; the rear must lie flush with or a little above the saw table.

#### Setting

- Remove the table insert (26).
- Use the hex key (22) to set the correct level of the four adjusting screws (71).

### Storage and transport

#### Storing tool elements (see figures O1–O5)

You can attach certain tool elements to the power tool to store them.

- Detach the additional parallel guide (43) from the parallel guide.
- Place all loose components of the tool in their storage compartments on the housing (see the following table).

Fig- ure	Tool element	Storage compartment
01	Protective cover (6)	Place in the recess on the bracket (34) and secure using the clamping lever (39)
01	Anti-kickback pawls (9) (Country version 3 601 M30 5C2)	Press the push buttons (48) together and allow them to engage in the hole of the bracket (74)
02	"Additional parallel guide" fastening set (44)	Clip into the brackets (72)
02	Dust extraction adapter (33)	Slide into the holding clips (73)
03	Ring spanner (23)	Secure in the storage compartment using the securing nut (75)
03	Push stick (24)	Suspend using the securing nut (75) and slide to secure
04	Parallel guide	Turn around, suspend from below in the guide rails and secure the clamping handle (41)
05	Hex key (22) Hex key (21)	Slide into the brackets (76)
05	Angle guide (3)	Slide into the holding clips (77)



Fig- ure	Tool element	Storage compartment
05	Additional parallel guide (43)	Slide into the holding clips (31) (short side facing up, long side facing the rear)

### Transporting the power tool

Before transporting the power tool, the following steps must be carried out:

- Bring the power tool into the transport position.
- Remove all accessories that cannot be securely fitted to the power tool.  
If possible, transport unused saw blades in an enclosed container.
- Slide the saw table expansion (14) in fully and push the clamping handle (16) down to secure it in place.
- Wrap the power cable around the cable holder (30).
- Use the carrying handles (13) to lift or transport the tool.
- ▶ **Only use the transport devices to transport the power tool and never the protective devices.**

## Maintenance and Service

### Maintenance and Cleaning

- ▶ **Pull the plug out of the socket before carrying out any work on the power tool.**
- ▶ **To ensure safe and efficient operation, always keep the power tool and the ventilation slots clean.**

In order to avoid safety hazards, if the power supply cord needs to be replaced, this must be done by **Bosch** or by an after-sales service centre that is authorised to repair **Bosch** power tools.

### Cleaning

Always remove dust and chips after working by blowing out with compressed air or using a brush.

### Lubricating the power tool



#### Lubricant:

SAE 10/SAE 20 engine oil

- Oil the power tool as necessary at the points indicated (see figure P).

An authorised Bosch after-sales service point will handle this work quickly and reliably.

- ▶ **Dispose of lubricants and cleaning products in an environmentally friendly manner, taking legal regulations into account.**

### Noise reduction measures

Measures implemented by the manufacturer:

- Soft start
- Provided with a saw blade specially developed for noise reduction

Measures implemented by the operator:

- Low-vibration mounting on a stable work surface
- Use of saw blades with noise-reducing functions
- Regular cleaning of the saw blade and power tool

### Accessories

	Article number
Dust bag	2 610 015 511
Dust extraction adapter	2 610 015 509
Y adapter TSVH 3	2 610 015 513
Angle guide	2 610 015 507
Push stick	2 610 015 022
GTA 600 saw stand	0 601 B22 001

### Saw blades for wood and fibreboard, panels and strips

254 x 25.4 mm saw blade, 40 teeth	2 608 640 901
254 x 25.4 mm saw blade, 60 teeth	2 608 640 902

### After-Sales Service and Application Service

Our after-sales service responds to your questions concerning maintenance and repair of your product as well as spare parts. You can find explosion drawings and information on spare parts at: [www.bosch-pt.com](http://www.bosch-pt.com)

The Bosch product use advice team will be happy to help you with any questions about our products and their accessories.

In all correspondence and spare parts orders, please always include the 10-digit article number given on the nameplate of the product.

### Malaysia

Robert Bosch Sdn. Bhd.(220975-V) PT/SMY  
No. 8A, Jalan 13/6  
46200 Petaling Jaya  
Selangor  
Tel.: (03) 79663194  
Toll-Free: 1800 880188  
Fax: (03) 79583838  
E-Mail: [kiathoe.chong@my.bosch.com](mailto:kiathoe.chong@my.bosch.com)  
[www.bosch-pt.com.my](http://www.bosch-pt.com.my)

### You can find further service addresses at:

[www.bosch-pt.com/serviceaddresses](http://www.bosch-pt.com/serviceaddresses)

### Disposal

The power tool, accessories and packaging should be recycled in an environmentally friendly manner.



Do not dispose of power tools along with household waste.

## Français

### Consignes de sécurité

#### Avertissements de sécurité généraux pour l'outil électrique

##### **⚠ AVERTISSEMENT** Lire tous les avertissements de sécurité, les instructions, les illustrations et les spécifications fournies avec cet outil électrique.

Ne pas suivre les instructions énumérées ci-dessous peut provoquer un choc électrique, un incendie et/ou une blessure sérieuse.

##### **Conservé tous les avertissements et toutes les instructions pour pouvoir s'y reporter ultérieurement.**

Le terme "outil électrique" dans les avertissements fait référence à votre outil électrique alimenté par le secteur (avec cordon d'alimentation) ou votre outil électrique fonctionnant sur batterie (sans cordon d'alimentation).

#### Sécurité de la zone de travail

- ▶ **Conservé la zone de travail propre et bien éclairée.**  
Les zones en désordre ou sombres sont propices aux accidents.
- ▶ **Ne pas faire fonctionner les outils électriques en atmosphère explosive, par exemple en présence de liquides inflammables, de gaz ou de poussières.** Les outils électriques produisent des étincelles qui peuvent enflammer les poussières ou les fumées.
- ▶ **Maintenir les enfants et les personnes présentes à l'écart pendant l'utilisation de l'outil électrique.** Les distractions peuvent vous faire perdre le contrôle de l'outil.

#### Sécurité électrique

- ▶ **Il faut que les fiches de l'outil électrique soient adaptées au socle. Ne jamais modifier la fiche de quelque façon que ce soit. Ne pas utiliser d'adaptateurs avec des outils électriques à branchement de terre.** Des fiches non modifiées et des socles adaptés réduisent le risque de choc électrique.
- ▶ **Éviter tout contact du corps avec des surfaces reliées à la terre telles que les tuyaux, les radiateurs, les cuisinières et les réfrigérateurs.** Il existe un risque accru de choc électrique si votre corps est relié à la terre.
- ▶ **Ne pas exposer les outils électriques à la pluie ou à des conditions humides.** La pénétration d'eau à l'intérieur d'un outil électrique augmente le risque de choc électrique.
- ▶ **Ne pas maltraiter le cordon. Ne jamais utiliser le cordon pour porter, tirer ou débrancher l'outil électrique. Maintenir le cordon à l'écart de la chaleur, du lubrifiant, des arêtes vives ou des parties en mouvement.** Des cordons endommagés ou emmêlés augmentent le risque de choc électrique.
- ▶ **Lorsqu'on utilise un outil électrique à l'extérieur, utiliser un prolongateur adapté à l'utilisation extérieure.**

L'utilisation d'un cordon adapté à l'utilisation extérieure réduit le risque de choc électrique.

- ▶ **Si l'usage d'un outil électrique dans un emplacement humide est inévitable, utiliser une alimentation protégée par un dispositif à courant différentiel résiduel (RCD).** L'usage d'un RCD réduit le risque de choc électrique.

#### Sécurité des personnes

- ▶ **Rester vigilant, regarder ce que vous êtes en train de faire et faire preuve de bon sens dans votre utilisation de l'outil électrique. Ne pas utiliser un outil électrique lorsque vous êtes fatigué ou sous l'emprise de drogues, de l'alcool ou de médicaments.** Un moment d'inattention en cours d'utilisation d'un outil électrique peut entraîner des blessures graves.
- ▶ **Utiliser un équipement de protection individuelle. Toujours porter une protection pour les yeux.** Les équipements de protection individuelle tels que les masques contre les poussières, les chaussures de sécurité antidérapantes, les casques ou les protections auditives utilisés pour les conditions appropriées réduisent les blessures.
- ▶ **Éviter tout démarrage intempestif. S'assurer que l'interrupteur est en position arrêt avant de brancher l'outil au secteur et/ou au bloc de batteries, de le ramasser ou de le porter.** Porter les outils électriques en ayant le doigt sur l'interrupteur ou brancher des outils électriques dont l'interrupteur est en position marche est source d'accidents.
- ▶ **Retirer toute clé de réglage avant de mettre l'outil électrique en marche.** Une clé laissée fixée sur une partie tournante de l'outil électrique peut donner lieu à des blessures.
- ▶ **Ne pas se précipiter. Garder une position et un équilibre adaptés à tout moment.** Cela permet un meilleur contrôle de l'outil électrique dans des situations inattendues.
- ▶ **S'habiller de manière adaptée. Ne pas porter de vêtements amples ou de bijoux. Garder les cheveux et les vêtements à distance des parties en mouvement.** Des vêtements amples, des bijoux ou les cheveux longs peuvent être pris dans des parties en mouvement.
- ▶ **Si des dispositifs sont fournis pour le raccordement d'équipements pour l'extraction et la récupération des poussières, s'assurer qu'ils sont connectés et correctement utilisés.** Utiliser des collecteurs de poussière peut réduire les risques dus aux poussières.
- ▶ **Rester vigilant et ne pas négliger les principes de sécurité de l'outil sous prétexte que vous avez l'habitude de l'utiliser.** Une fraction de seconde d'inattention peut provoquer une blessure grave.

#### Utilisation et entretien de l'outil électrique

- ▶ **Ne pas forcer l'outil électrique. Utiliser l'outil électrique adapté à votre application.** L'outil électrique adapté réalise mieux le travail et de manière plus sûre au régime pour lequel il a été construit.



- ▶ **Ne pas utiliser l'outil électrique si l'interrupteur ne permet pas de passer de l'état de marche à arrêt et inversement.** Tout outil électrique qui ne peut pas être commandé par l'interrupteur est dangereux et il faut le réparer.
- ▶ **Débrancher la fiche de la source d'alimentation et/ou enlever le bloc de batteries, s'il est amovible, avant tout réglage, changement d'accessoires ou avant de ranger l'outil électrique.** De telles mesures de sécurité préventives réduisent le risque de démarrage accidentel de l'outil électrique.
- ▶ **Conserver les outils électriques à l'arrêt hors de la portée des enfants et ne pas permettre à des personnes ne connaissant pas l'outil électrique ou les présentes instructions de le faire fonctionner.** Les outils électriques sont dangereux entre les mains d'utilisateurs novices.
- ▶ **Observer la maintenance des outils électriques et des accessoires. Vérifier qu'il n'y a pas de mauvais alignement ou de blocage des parties mobiles, des pièces cassées ou toute autre condition pouvant affecter le fonctionnement de l'outil électrique. En cas de dommages, faire réparer l'outil électrique avant de l'utiliser.** De nombreux accidents sont dus à des outils électriques mal entretenus.
- ▶ **Garder affûtés et propres les outils permettant de couper.** Des outils destinés à couper correctement entretenus avec des pièces coupantes tranchantes sont moins susceptibles de bloquer et sont plus faciles à contrôler.
- ▶ **Utiliser l'outil électrique, les accessoires et les lames etc., conformément à ces instructions, en tenant compte des conditions de travail et du travail à réaliser.** L'utilisation de l'outil électrique pour des opérations différentes de celles prévues peut donner lieu à des situations dangereuses.
- ▶ **Il faut que les poignées et les surfaces de préhension restent sèches, propres et dépourvues d'huiles et de graisses.** Des poignées et des surfaces de préhension glissantes rendent impossibles la manipulation et le contrôle en toute sécurité de l'outil dans les situations inattendues.

#### Maintenance et entretien

- ▶ **Faire entretenir l'outil électrique par un réparateur qualifié utilisant uniquement des pièces de rechange identiques.** Cela assure le maintien de la sécurité de l'outil électrique.

#### Instructions de sécurité relatives aux scies circulaires à table

##### Avertissements relatifs à la protection

- ▶ **Laisser les protecteurs en place. Les protecteurs doivent être en état de fonctionnement et montés correctement.** Un protecteur mal fixé, endommagé ou ne fonctionnant pas correctement doit être réparé ou remplacé.

- ▶ **Toujours utiliser un protecteur de lames, un couteau diviseur et un appareil anti-recul pour toute opération de coupe traversante.** Pour les opérations de coupe traversante où la lame traverse complètement l'épaisseur de la pièce, le protecteur et les autres appareils de sécurité contribuent à limiter le risque de blessure.
- ▶ **Fixer de nouveau immédiatement le protecteur après l'exécution d'une opération (telle que le refeuillement, l'engravure ou la refente) qui nécessite l'enlèvement du protecteur, du couteau diviseur et/ou de l'appareil anti-recul.** Le protecteur, le couteau diviseur et l'appareil anti-recul contribuent à limiter le risque de blessure.
- ▶ **Veiller à ce que la lame n'entre pas en contact avec le protecteur, le couteau diviseur ou la pièce avant le déclenchement du commutateur.** Un contact involontaire de ces éléments avec la lame pourrait entraîner un fonctionnement dangereux.
- ▶ **Ajuster le couteau diviseur comme décrit dans la notice d'utilisation.** Un espacement, un positionnement et un alignement incorrects peuvent empêcher le couteau diviseur de limiter le risque de recul.
- ▶ **Pour que le couteau diviseur et l'appareil anti-recul fonctionnent, ils doivent être engagés dans la pièce.** Le couteau diviseur et l'appareil anti-recul sont inefficaces lorsque l'on coupe des pièces trop courtes pour que le couteau diviseur et l'appareil anti-recul puissent s'y engager. Dans ces conditions, le couteau diviseur et l'appareil anti-recul ne peuvent pas empêcher un recul de se produire.
- ▶ **Utiliser la lame appropriée au couteau diviseur.** Pour que le couteau diviseur fonctionne correctement, le diamètre de la lame doit correspondre au couteau diviseur approprié, l'épaisseur de la lame de scie doit être plus mince que celle du couteau diviseur et la largeur de coupe de la lame de scie doit être supérieure à l'épaisseur du couteau diviseur.

##### Avertissements relatifs aux modes opératoires de coupe

- ▶ **⚠ DANGER: Ne jamais mettre les doigts ou les mains à proximité ou dans l'alignement de la lame.** Votre main pourrait glisser ou se diriger vers la lame dans un moment d'inattention et entraîner une blessure grave.
- ▶ **Avancer la pièce en direction de la lame uniquement dans le sens inverse de rotation.** L'avance de la pièce dans le même sens que le sens de rotation de la lame au-dessus de la table peut entraîner la pièce et la main dans la lame.
- ▶ **Ne jamais utiliser le guide inclinable pour avancer la pièce lors d'un sciage en long et ne pas utiliser le guide longitudinal comme butée longitudinale lors d'un sciage en travers à l'aide du guide inclinable.** Le guidage de la pièce en utilisant en même temps le guide longitudinal et le guide inclinable augmente le risque de blocage de la lame et de recul.
- ▶ **Lors d'un sciage en long, toujours appliquer la force d'alimentation de la pièce entre le guide et la lame.**

**Utiliser un poussoir lorsque la distance entre le guide et la lame est inférieure à 150mm et utiliser un bloc-poussoir lorsque cette distance est inférieure à 50 mm.** Des appareils d'aide à l'utilisation maintiendront la main à une distance sans risque de la lame.

- ▶ **Utiliser seulement le poussoir fourni par le fabricant ou construit conformément aux instructions.** Ce poussoir permet de garder une distance suffisante entre la main et la lame.
- ▶ **Ne jamais utiliser un poussoir endommagé ou coupé.** Un poussoir endommagé peut faire glisser votre main dans la lame.
- ▶ **Ne jamais effectuer une opération "à main levée". Toujours utiliser le guide longitudinal ou le guide inclinable pour positionner et guider la pièce.** "À main levée" signifie utiliser ses mains pour soutenir ou guider la pièce, au lieu d'un guide longitudinal ou inclinable. Une coupe à main levée entraîne un mauvais alignement, un blocage et un recul.
- ▶ **Ne jamais tendre le bras autour ou au-dessus de la lame rotative.** Le fait d'étendre le bras pour atteindre une pièce peut entraîner un contact accidentel avec la lame rotative.
- ▶ **Prévoir un support supplémentaire de la pièce à l'arrière et/ou sur les côtés de la scie circulaire pour des pièces longues et/ou larges afin de les maintenir à plat.** Une pièce longue et/ou large a tendance à pivoter sur le bord de la table, entraînant une perte de contrôle, un blocage de la lame et un recul.
- ▶ **Avancer la pièce à un rythme régulier. Ne pas plier ou tordre la pièce. En cas de coincement de la lame, arrêter l'outil immédiatement, le débrancher et décoinçer la lame.** Un coincement de la lame par la pièce peut provoquer un recul ou faire caler le moteur.
- ▶ **Ne pas enlever des morceaux de matériau coupé lors du fonctionnement de la lame.** Le matériau peut être emprisonné entre le guide ou à l'intérieur du protecteur de lame et la lame, entraînant vos doigts dans la lame. Stopper le fonctionnement de la scie et attendre l'arrêt de la scie avant de retirer le matériau.
- ▶ **Utiliser un guide auxiliaire en contact avec le plateau de la table lors d'un sciage en long de pièces d'épaisseur inférieure à 2 mm.** Une pièce mince peut se coincer sous le guide longitudinal et provoquer un recul.

#### Causes de recul et avertissements associés

Le recul est une réaction soudaine de la pièce due à une lame pincée, bloquée ou une ligne de coupe mal alignée dans la pièce par rapport à la position de la lame ou lorsqu'une partie de la pièce se bloque entre la lame et le guide longitudinal ou un autre objet fixe.

Le plus souvent lors d'un recul, la pièce est soulevée de la table par la partie arrière de la lame et est projetée en direction de l'opérateur.

Le recul résulte d'une mauvaise utilisation de la scie et/ou de modes opératoires ou de conditions de fonctionnement in-

corrects et peut être évité en prenant les précautions nécessaires telles qu'indiquées ci-dessous.

- ▶ **Ne jamais se tenir dans l'alignement direct de la lame.** Toujours se tenir du même côté de la lame que le guide. Un recul peut propulser la pièce à une vitesse rapide vers quiconque se trouvant devant et dans l'alignement de la lame.
- ▶ **Ne jamais tendre le bras au-dessus ou à l'arrière de la lame pour retirer ou soutenir la pièce.** Un contact accidentel avec la lame peut se produire ou un recul peut entraîner vos doigts dans la lame.
- ▶ **Ne jamais maintenir et presser la pièce contre la lame rotative.** Presser la pièce contre la lame rotative provoquera un blocage de la lame et un recul.
- ▶ **Aligner le guide parallèlement à la lame.** Un mauvais alignement du guide entraînera un pincement de la pièce contre la lame et un recul.
- ▶ **Utiliser un peigne anti-recul pour guider la pièce contre la table et le guide lors des coupes non traversantes tels que le refeuillement, l'engravure ou la refente.** Un peigne anti-recul aide à contrôler la pièce en cas de recul.
- ▶ **Soutenir les grands panneaux pour limiter le risque d'un blocage de la lame et d'un recul.** Les grands panneaux ont tendance à s'affaisser sous leur propre poids. Un (des) support(s) doit(vent) être placé(s) sous toutes les portions du panneau par-dessus la table.
- ▶ **User de précautions supplémentaires lors de la coupe d'une pièce torsadée, gauchie ou comportant des noeuds, qui n'a pas un bord droit pour le guider à l'aide d'un guide inclinable ou le long du guide.** Une pièce torsadée, gauchie ou comportant des noeuds est instable et provoquer un mauvais alignement du trait de scie avec la lame, un blocage de la lame et un recul.
- ▶ **Ne jamais couper plusieurs pièces empilées verticalement ou horizontalement.** La lame pourrait attraper plusieurs pièces et provoquer un recul.
- ▶ **Lors d'un redémarrage d'une scie avec une lame de scie dans la pièce, centrer la lame dans le trait de scie de sorte que les dents ne pénètrent pas dans le matériau.** Si la lame se bloque, elle peut soulever la pièce et provoquer un recul lors du redémarrage de la scie.
- ▶ **Maintenir les lames propres, bien aiguisées et avec un écart latéral suffisant. Ne jamais utiliser des lames gauchies ou des lames dont les dents sont fissurées ou cassées.** Des lames bien aiguisées et ayant un bon écart latéral limitent le risque de blocage, de calage et de recul.

#### Avertissements relatifs au mode opératoire de fonctionnement de la scie circulaire à table

- ▶ **Arrêter le fonctionnement de la scie circulaire et débrancher le cordon d'alimentation lors de l'enlèvement de la plaque amovible, du remplacement de la lame de scie ou des réglages du couteau diviseur, de l'appareil anti-recul ou du protecteur de lame, et lorsque la machine est laissée sans surveillance.** Ces mesures de précaution éviteront les accidents.

- ▶ **Ne jamais laisser la scie circulaire à table fonctionner sans surveillance. Arrêter le fonctionnement et ne pas quitter l'outil tant qu'il n'a pas cessé de fonctionner.** Une scie fonctionnant sans surveillance est un danger incontrôlé.
- ▶ **Placer la scie circulaire à table dans un endroit bien éclairé et sur une surface plane où elle peut être maintenue bien en appui et en équilibre. Il convient de l'installer dans un endroit qui prévoit une place suffisante pour pouvoir manipuler facilement la pièce quelle que soit sa taille.** Des endroits exigus, sombres et des sols inégaux et glissants sont susceptibles de provoquer des accidents.
- ▶ **Nettoyer fréquemment et enlever la sciure accumulée sous la scie circulaire à table et/ou sous l'appareil de dépoussiérage.** La sciure accumulée est combustible et peut s'enflammer.
- ▶ **La scie circulaire à table doit être immobilisée.** Une scie circulaire à table mal immobilisée peut bouger ou basculer.
- ▶ **Enlever les outils, copeaux de bois, etc. de la table avant de faire fonctionner la scie.** Un moment d'inattention ou un coincement éventuel peut être dangereux.
- ▶ **Toujours utiliser des lames de scie de dimensions et de forme appropriées des alésages centraux (lame de scie au diamant contre lame de scie ronde).** Des lames qui ne sont pas conformes aux matériels de montage de la scie seront excentrées, provoquant une perte de contrôle.
- ▶ **Ne jamais utiliser des appareils de montage, tels que des flasques, des rondelles de lame, des boulons ou écrous, endommagés ou inadaptés.** Ces appareils de montage ont été spécialement conçus pour être utilisés avec votre scie, à des fins de fonctionnement sûr et de performance optimale.
- ▶ **Ne jamais se tenir sur la scie circulaire à table, ne pas l'utiliser comme tabouret.** Des blessures sérieuses peuvent survenir si l'outil bascule ou en cas de contact accidentel avec l'outil de coupe.
- ▶ **Veiller à ce que la scie circulaire à table soit installée de façon à tourner dans la bonne direction. Ne pas utiliser des meules, des brosses métalliques ou des disques abrasifs sur une scie circulaire à table.** Une installation incorrecte de la lame ou l'utilisation d'accessoires non recommandés peut entraîner de graves blessures.

### Consignes de sécurité additionnelles

- ▶ **Portez toujours des gants de protection pour monter la lame de scie.** Il y a risque de blessure.
- ▶ **N'utilisez pas de lames en acier HSS (acier super rapide).** De telles lames se cassent facilement.
- ▶ **N'utilisez que des lames de scie conformes aux caractéristiques techniques indiquées dans la présente notice d'utilisation et sur l'outil électroportatif, qui ont**

**été contrôlées selon la norme EN 847-1 et qui disposent du marquage correspondant.**

- ▶ **N'utilisez jamais l'outil électroportatif sans pare-éclats. Remplacez le pare-éclats quand il est défectueux.** Vous risqueriez de vous blesser au niveau de la lame si le pare-éclats n'est pas en parfait état.
- ▶ **Veillez à une bonne propreté du poste de travail.** Les mélanges de matériau sont particulièrement dangereux. La poussière de métal fine peut s'enflammer ou exploser.
- ▶ **Choisissez la lame de scie appropriée pour le matériau à scier.**
- ▶ **N'utilisez que des lames de scie recommandées par le fabricant de cet outil électroportatif pour le type de matériau à scier.**
- ▶ **Ne guidez la pièce vers la lame que quand la scie est en marche.** Il y a sinon risque de rebond, au cas où la lame de scie resterait coincée dans la pièce.

## Symboles

Les symboles suivants peuvent être importants pour l'utilisation de votre outil électroportatif. Veuillez mémoriser les symboles et leur signification. L'interprétation correcte des symboles vous permettra de mieux utiliser votre outil électroportatif et en toute sécurité.

### Symboles et leur signification



**N'approchez en aucun cas les mains de la zone de sciage pendant le fonctionnement de l'outil électroportatif.** Il y a risque de blessure grave en cas de contact avec la lame de scie.



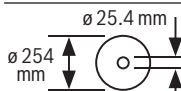
**Portez un masque à poussière.**



**Portez une protection auditive.** L'exposition aux bruits peut provoquer une perte de l'audition.



**Portez toujours des lunettes de protection.**

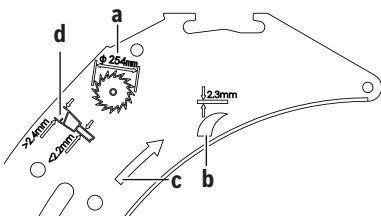


Respectez les dimensions prescrites de la lame de scie. Le diamètre de l'alésage central doit correspondre exactement à celui de la broche (pas de jeu). Lorsqu'il est nécessaire d'utiliser des bagues de réduction, veillez à ce que les dimensions de la bague de réduction soient adaptées à l'épaisseur du corps de lame, au diamètre de l'alésage de la

### Symboles et leur signification

lame et au diamètre de la broche de l'outil. Utilisez dans la mesure du possible les bagues de réduction fournies avec la lame.

Le diamètre de lame doit correspondre à l'indication du pictogramme.

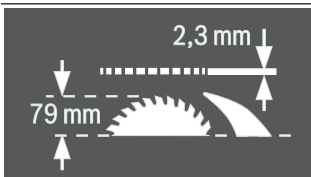


**a** Le diamètre de la lame ne doit pas dépasser 254 mm.

**b** L'épaisseur du couteau diviseur est de 2,3 mm.

**c** Le sens de coupe des dents (indiquée par une flèche sur la lame) doit correspondre au sens de la flèche sur le couteau diviseur.

**d** Veillez lors du changement de la lame à ce que la largeur de coupe ne soit pas inférieure à 2,4 mm et à ce que l'épaisseur du corps de lame ne soit pas supérieure à 2,2 mm. Le couteau diviseur risque sinon de coincer dans la pièce.



L'épaisseur du couteau diviseur est de 2,3 mm.

La hauteur de pièce maximale possible est de 79 mm.



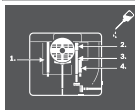
#### Côté gauche :

Indique le sens de rotation de la manivelle pour abaisser (**position de transport**) et relever (**position de travail**) la lame.

#### Côté droit :

Indique la position du levier de blocage de la lame de scie et lors du réglage de l'angle d'inclinaison (lame de scie orientable).

### Symboles et leur signification



Si nécessaire, lubrifiez l'outil électroportatif aux endroits indiqués.



Les outils électroportatifs de la classe de protection II sont renforcés ou dotés d'une double isolation.



Avec le marquage CE, le fabricant atteste que l'outil électroportatif est conforme aux directives UE en vigueur.

## Description du produit et des prestations



**Lisez attentivement toutes les instructions et consignes de sécurité.** Le non-respect des instructions et consignes de sécurité peut provoquer un choc électrique, un incendie et/ou entraîner de graves blessures.

Référez-vous aux illustrations qui se trouvent à l'avant de la notice d'utilisation.

### Utilisation conforme

Destiné à un usage stationnaire, l'outil électroportatif est conçu pour effectuer des coupes droites longitudinales et transversales dans le bois dur et le bois tendre ainsi que dans les panneaux agglomérés et les panneaux de fibres. Il permet de régler des angles de  $-60^\circ$  à  $+60^\circ$  dans le plan horizontal (coupes d'onglets) et des angles d'inclinaison de  $-2^\circ$  à  $47^\circ$  dans le plan vertical (coupes biaisées).

L'outil électroportatif peut aussi servir à scier de l'aluminium et des matières plastiques à condition d'utiliser des lames de scie appropriées.

### Éléments constitutifs

La numérotation des éléments de l'appareil se réfère à la représentation de l'outil électroportatif sur la page graphique.

- (1) Rainure de guidage pour butée parallèle
- (2) Échelle graduée pour distance lame de scie/butée parallèle
- (3) Butée angulaire
- (4) Poignées encastrées
- (5) Rainure de guidage pour butée angulaire
- (6) Capot de protection
- (7) Table de sciage
- (8) Couteau diviseur
- (9) Blocage antirecul<sup>a)</sup>
- (10) Butée parallèle
- (11) Rainure de guidage en V sur la table de sciage pour la butée parallèle
- (12) Orifices de fixation

- (13) Poignée de transport
- (14) Rallonge de table de sciage
- (15) Patte de fixation pour le support de travail GTA 600
- (16) Bouton de serrage de la rallonge de table de sciage
- (17) Levier de blocage du réglage d'angles d'inclinaison (coupes biaisées)
- (18) Volant
- (19) Manivelle pour lever ou abaisser la lame de scie
- (20) Couvercle de protection de l'interrupteur Marche/Arrêt
- (21) Clé mâle pour vis à six pans creux (2 mm)
- (22) Clé mâle pour vis à six pans creux (5 mm)
- (23) Clé polygonale (23 mm)
- (24) Poussoir de sécurité
- (25) Vis d'ajustage de la force de serrage de la butée parallèle
- (26) Pare-éclats
- (27) Lame de scie
- (28) Loupe
- (29) Rail profilé
- (30) Porte-câble
- (31) Patte de maintien pour le rangement de la butée parallèle supplémentaire
- (32) Éjecteur de copeaux
- (33) Adaptateur d'aspiration
- (34) Support pour rangement du capot de protection
- (35) Levier de blocage du couteau diviseur
- (36) Vis à six pans creux du couteau diviseur<sup>a)</sup>
- (37) Pions de positionnement du couteau diviseur
- (38) Échancrures pour le pare-éclats
- (39) Levier de blocage du capot de protection
- (40) Broche de guidage du capot de protection
- (41) Bouton de serrage de la butée parallèle
- (42) Guidage en V de la butée parallèle
- (43) Butée parallèle supplémentaire
- (44) Set de fixation « butée parallèle additionnelle »
- (45) Rail de guidage de la butée angulaire
- (46) Kit de fixation « rail profilé »
- (47) Vis de fixation de l'éjecteur de copeaux
- (48) Boutons poussoirs pour repousser la tige de guidage du blocage antirecul<sup>a)</sup>
- (49) Écrou de serrage
- (50) Levier de blocage de broche
- (51) Flasque de serrage
- (52) Broche porte-outil
- (53) Flasque d'entraînement
- (54) Indicateur d'angle (coupes biaisées)
- (55) Échelle graduée d'angles d'inclinaison (coupes biaisées)
- (56) Poignée de blocage d'angles d'onglet (plan horizontal)
- (57) Indicateur d'angle sur la butée angulaire
- (58) Indicateur de distance de la table de sciage
- (59) Touche Marche
- (60) Écrou moleté du rail profilé
- (61) Vis à tête cruciforme pour le réglage de la butée à 0°
- (62) Butée pour angle d'inclinaison de 0° (coupes biaisées)
- (63) Vis de l'indicateur d'angle d'inclinaison (coupes biaisées)
- (64) Vis à tête cruciforme pour le réglage de la butée à 45°
- (65) Butée pour angle d'inclinaison de 45° (coupes biaisées)
- (66) Vis à six pans creux (5 mm) à l'avant pour réglage du parallélisme de la lame de scie
- (67) Vis à six pans creux (5 mm) à l'arrière pour réglage du parallélisme de la lame de scie
- (68) Vis de l'indicateur de distance de la table de sciage
- (69) Vis à six pans creux (5 mm) pour réglage du parallélisme de la butée parallèle
- (70) Vis de l'indicateur de distance de la butée parallèle
- (71) Vis d'ajustage du pare-éclats
- (72) Support pour le rangement du set de fixation « Butée parallèle supplémentaire »
- (73) Patte de maintien pour le rangement de l'adaptateur d'aspiration
- (74) Support pour rangement du blocage antirecul<sup>a)</sup>
- (75) Écrou de fixation de la clé polygonale et pour accrocher le poussoir de sécurité
- (76) Support pour le rangement de la clé mâle pour vis à six pans creux
- (77) Patte de maintien pour le rangement de la butée angulaire

a) Version **3 601 M30 5C2**

### Caractéristiques techniques

Scie sur table		GTS 10 J	GTS 10 J
Référence		<b>3 601 M30 5..</b>	<b>3 601 M30 5C2</b>
Puissance absorbée nominale	W	1 800	1 700
Tension nominale	V	220–240	120

Scie sur table		GTS 10 J	GTS 10 J
Fréquence	Hz	50/60	60
Régime à vide	tr/min	3 650	3 700
Limitation du courant de démarrage		●	●
Poids selon EPTA-Procédure 01:2014	kg	26,2	26,2
Indice de protection		□/II	□/II
Dimensions (y compris les éléments amovibles)			
Largeur x profondeur x hauteur	mm	640 x 706 x 330	640 x 706 x 330
<b>Dimensions admissibles des lames de scie</b>			
Diamètre de lame de scie	mm	254	254
Épaisseur de corps de lame	mm	< 2,2	< 2,2
Épaisseur/avoyage mini des dents	mm	> 2,4	> 2,4
Diamètre de l'alésage	mm	25,4	25,4

Dimensions maximales de la pièce : (voir « Dimensions maximales de la pièce », Page 39)

Les données indiquées sont valables pour une tension nominale [U] de 230 V. Elles peuvent varier lorsque la tension diffère de cette valeur et sur certaines versions destinées à certains pays.

## Montage

- **Évitez un démarrage accidentel de l'outil électroportatif. Pendant le montage et lors de travaux sur l'outil électroportatif, la fiche de secteur ne doit pas être connectée à l'alimentation en courant.**

### Contenu

Avant la première mise en service de l'outil électroportatif, vérifiez qu'il ne manque aucune des pièces indiquées ci-dessous :

- Scie sur table avec lame montée (27) et couteau diviseur (8)
- Butée angulaire (3)
- Rail profilé (29)
- Kit de fixation « rail profilé » (46) (tôle de guidage, écrou moleté, vis, rondelle)
- Butée parallèle
- Butée parallèle supplémentaire (43)
- Kit de fixation « butée parallèle supplémentaire » (44) (3 vis de fixation, 3 rondelles, 3 écrous papillon)
- Capot de protection (6)
- Blocage antirecul (9) (version 3 601 M30 5C2)
- Clé mâle pour vis à six pans creux (22)
- Clé mâle pour vis à six pans creux (21)
- Clé polygonale (23)
- Poussoir de sécurité (24)
- Pare-éclats (26)
- Adaptateur d'aspiration (33)

**Remarque :** Assurez-vous que l'outil électroportatif n'est pas endommagé.

Avant d'utiliser l'outil électroportatif, assurez-vous que les dispositifs de protection ou pièces légèrement endommagées peuvent bien remplir leur fonction. Contrôlez si les pièces mobiles fonctionnent correctement sans coincer et assurez-vous qu'aucune pièce n'est endommagée. Pour garantir un fonctionnement correct, toutes les pièces doivent être correctement montées et en parfait état.

Faites réparer ou remplacer les dispositifs de protection et pièces endommagés dans un centre de service après-vente agréé.

### Montage des pièces fournies

- Sortez avec précaution de l'emballage toutes les pièces fournies.
- Retirez intégralement le matériau d'emballage qui enveloppe l'outil électroportatif et les accessoires fournis.
- Veillez à enlever l'emballage sous le bloc-moteur.

Les éléments suivants sont directement fixés sur le carter : poussoir de sécurité (24), clé polygonale (23), clé mâle pour vis à six pans creux (22) et (21), butée parallèle (10), butée angulaire (3), adaptateur d'aspiration (33), butée parallèle supplémentaire (43) avec set de fixation (44), capot de protection (6).

- Si vous avez besoin de l'un de ces éléments, retirez-le avec précaution de son range-accessoires.

### Mise en place du couteau diviseur (voir figures a1–a2)

**Remarque :** Si nécessaire, nettoyez toutes les pièces avant de les monter et de les ajuster.

- Tournez la manivelle (19) jusqu'en butée dans le sens horaire de manière à ce que la lame de scie (27) se trouve dans la position la plus élevée possible au-dessus de la table de sciage.
- Desserrez le levier de blocage (35).  
ou



Version **3 601 M30 5C2** : Desserrez les vis à six pans creux **(36)** avec la clé mâle pour vis à six pans creux **(22)**.

- Poussez le couteau diviseur **(8)** en direction du levier de blocage **(35)** jusqu'à ce qu'il puisse être tiré vers le haut.
- Tirez le couteau diviseur à fond vers le haut, de façon à ce qu'il soit positionné exactement au-dessus du centre de la lame de scie.
- Faites en sorte que les deux pions **(37)** viennent se loger dans les orifices inférieurs du couteau diviseur et resserrez le levier de blocage **(35)** ou les vis à six pans creux **(36)**.

#### Montage du pare-éclats (voir figure b)

- Emboîtez le pare-éclats **(26)** dans les échancrures arrière **(38)** de l'évidement de l'outil.
- Déplacez le pare-éclats vers le bas.
- Appuyez sur le pare-éclats jusqu'à ce qu'il s'enclenche sur la partie avant de l'évidement de l'outil.

Le côté avant du pare-éclats **(26)** doit être au même niveau que la table de sciage ou légèrement en dessous, le côté arrière doit être au même niveau que la table de sciage ou légèrement au-dessus.

#### Montage du capot de protection (voir figures c1–c2)

**Remarque :** Montez le capot de protection uniquement lorsque le couteau diviseur se trouve dans la position la plus élevée exactement au-dessus du centre de la lame de scie (voir figure **a2**). Ne montez pas le capot de protection lorsque le couteau diviseur se trouve dans la position la plus basse (état de livraison ou position de rainurage) (voir figure **a1**).

- Desserrez le levier de blocage **(39)** et retirez le capot de protection **(6)** de son support **(34)**.
- Saisissez d'une main la protection de la lame de scie (rail métallique supérieur) du capot de protection **(6)** et soulevez le levier de blocage **(39)** avec l'autre main.
- Glissez la broche de guidage **(40)** vers l'arrière dans la gorge du couteau diviseur **(8)**.
- Déplacez le capot de protection **(6)** vers le bas jusqu'à ce que la protection de la lame (rail métallique supérieur) soit **parallèle** à la surface de la table de sciage **(7)**.
- Poussez le levier de blocage **(39)** vers le bas. Le levier de blocage doit s'enclencher de manière perceptible et audible et le capot de protection **(6)** doit être fixé fermement.

► **Vérifiez avant chaque utilisation si le capot de protection bouge librement. N'utilisez pas l'outil électroportatif si le capot de protection manque de mobilité et ne se ferme pas aussitôt.**

#### Montage de la butée parallèle (voir figure d)

La butée parallèle **(10)** peut être positionnée à droite ou à gauche de la lame.

- Desserrez le bouton de serrage **(41)** de la butée parallèle **(10)**. Le guidage en V **(42)** est ainsi libéré.
- Insérez d'abord la butée parallèle avec le guidage en V dans la rainure de guidage **(11)** de la table de sciage. Po-

sitionnez ensuite la butée parallèle dans la rainure de guidage avant **(1)** de la table de sciage.

La butée parallèle peut alors être déplacée à volonté.

- Pour bloquer la butée parallèle, poussez le bouton de serrage **(41)** vers le bas.

#### Montage de la butée parallèle supplémentaire (voir figure e)

##### Pour scier des pièces étroites et réaliser des coupes

**biaises**, il est nécessaire de monter la butée parallèle supplémentaire **(43)** sur la butée parallèle **(10)**.

La butée parallèle supplémentaire peut au besoin être montée à gauche ou à droite de la butée parallèle **(10)**.

Utilisez le set de fixation « Butée parallèle supplémentaire » **(44)** (2 vis de fixation, 2 rondelles, 2 écrous papillon).

- Passez les vis de fixation à travers les trous latéraux sur la butée parallèle **(10)**.
- Les têtes de vis servent à guider la butée parallèle supplémentaire.
- Glissez la butée parallèle supplémentaire **(43)** au-dessus des têtes des vis de fixation.
- Placez les rondelles sur les vis de fixation et serrez les vis à l'aide des écrous papillon.

#### Montez la butée angulaire (voir figure f1 – f2)

- Insérez les rails **(45)** de la butée angulaire **(3)** dans l'une des rainures de guidage de la table de sciage prévues à cet effet **(5)**.

Pour un meilleur positionnement des longues pièces, la butée angulaire peut être élargie par le rail profilé **(29)**.

- En cas de besoin, montez le rail profilé sur la butée angulaire à l'aide du kit de fixation **(46)**.

#### Aspiration de poussières/de copeaux

Les poussières de matériaux tels que peintures contenant du plomb, certains bois, minéraux ou métaux, peuvent être nuisibles à la santé. Le contact avec les poussières ou leur inhalation peut entraîner des réactions allergiques et/ou des maladies respiratoires auprès de l'utilisateur ou des personnes se trouvant à proximité.

Certaines poussières telles que les poussières de chêne ou de hêtre sont considérées comme cancérigènes, surtout en association avec des additifs pour le traitement du bois (chromate, lasure). Les matériaux contenant de l'amiante ne doivent être travaillés que par des personnes qualifiées.

- Si possible, utilisez un dispositif d'aspiration des poussières approprié au matériau.
- Veillez à bien aérer la zone de travail.
- Il est recommandé de porter un masque respiratoire avec un niveau de filtration de classe P2.

Respectez les règlements spécifiques aux matériaux à traiter en vigueur dans votre pays.

L'aspiration des poussières/des copeaux peut être bloquée par de la poussière, des copeaux ou des fragments de pièce.

- Arrêtez l'outil électroportatif et débranchez le câble d'alimentation de la prise secteur.

- Attendez l'arrêt total de la lame de scie.
- Déterminez la cause du blocage et éliminez-la.
- ▶ **Évitez toute accumulation de poussières sur le lieu de travail.** Les poussières peuvent facilement s'enflammer.
- ▶ **Pour éviter tout risque d'incendie lors du sciage d'aluminium, videz l'éjecteur de copeaux et travaillez sans dispositif d'aspiration des copeaux.**

#### Vidage de l'éjecteur de copeaux (voir figure g)

Pour retirer des fragments de pièce et de grands copeaux, vous pouvez vider l'éjecteur de copeaux (32).

- Arrêtez l'outil électroportatif et débranchez le câble d'alimentation de la prise secteur.
- Attendez l'arrêt total de la lame de scie.
- Desserrez la vis de fixation (47) avec la clé mâle pour six pans creux (22).
- Tirez l'éjecteur de copeaux (32) vers l'extérieur et retirez les fragments de pièce et les copeaux.
- Remontez l'éjecteur de copeaux sur l'outil électroportatif.

#### Aspiration au moyen d'un aspirateur (voir figure h)

Utilisez l'adaptateur d'aspiration (33) fourni pour raccorder l'aspirateur à l'éjecteur de copeaux (32).

- Raccordez l'adaptateur d'aspiration (33) au tuyau d'aspirateur.

L'aspirateur doit être conçu pour le type de matériau à scier. Pour l'aspiration de poussières particulièrement nocives, cancérigènes ou sèches, utilisez un aspirateur spécial.

#### Montage stationnaire ou flexible

- ▶ **Pour pouvoir être utilisé en toute sécurité, l'outil électroportatif doit être installé sur une surface de travail plane et stable (par ex. un établi) avant son utilisation.**

#### Montage sur un plan de travail (voir figure i)

- À l'aide de vis appropriées, fixez l'outil électroportatif sur le plan de travail. Introduisez pour cela les vis dans les alésages (12).

#### Montage sur un support de travail Bosch (voir figure j)

Dotés de pieds réglables, les supports de travail Bosch (p. ex. GTA 600) confèrent à l'outil électroportatif une bonne stabilité, quelle que soit la planéité du sol.

- ▶ **Lisez attentivement les instructions et signes de sécurité jointes au support de travail.** Le non-respect des instructions et consignes de sécurité peut entraîner un choc électrique, un incendie et/ou de graves blessures.
- ▶ **Montez correctement le support de travail avant d'installer l'outil électroportatif.** Un montage exact est primordial pour disposer d'une bonne stabilité.
- Installez l'outil électroportatif dans sa position de transport sur le support de travail.

#### Changement de la lame de scie (voir figures k1 - k4)

- ▶ **Débranchez le câble d'alimentation de la prise avant d'effectuer des travaux quels qu'il soient sur l'outil électroportatif.**
- ▶ **Portez toujours des gants de protection pour monter la lame de scie.** Il y a risque de blessure.
- ▶ **N'utilisez que des lames de scie dont la vitesse de rotation maximale admissible est supérieure au régime à vide de votre outil électroportatif.**
- ▶ **N'utilisez que des lames de scie conformes aux caractéristiques techniques indiquées dans la présente notice d'utilisation et sur l'outil électroportatif, qui ont été contrôlées selon la norme EN 847-1 et qui disposent du marquage correspondant.**
- ▶ **N'utilisez que des lames de scie recommandées par le fabricant de cet outil électroportatif et adaptées au type de matériau à découper.** Vous éviterez ainsi tout risque de surchauffe de la pointe des dents et de fonte du plastique à découper.
- ▶ **N'utilisez pas de lames en acier HSS (acier super rapide).** De telles lames se cassent facilement.

#### Démontage de la lame de scie

- Tournez la manivelle (19) jusqu'en butée dans le sens horaire de manière à ce que la lame de scie (27) se trouve dans la position la plus élevée possible au-dessus de la table de sciage.
- Ouvrez le levier de blocage (39) et dégagez le capot de protection (6) de la rainure du couteau diviseur (8).
- En plus pour la version 3 601 M30 5C2 : Appuyez sur les boutons poussoirs (48) et dégagez le blocage antirecul (9) de l'alésage du couteau diviseur (8).
- Soulevez l'avant du pare-éclats (26) à l'aide d'un tournevis, puis retirez le pare-éclats dans l'évidement de l'outil.
- Tournez l'écrou de serrage (49) avec la clé polygonale (23) tout en tirant le levier de blocage de broche (50) jusqu'à ce qu'il s'enclenche.
- Maintenez serré le levier de blocage de la broche et dévissez l'écrou de serrage dans le sens antihoraire.
- Retirez le flasque de serrage (51).
- Retirez la lame de scie (27).

#### Mise en place de la lame de scie

Si nécessaire, nettoyez préalablement toutes les pièces à monter.

- Montez la nouvelle lame de scie sur le flasque d'entraînement (53) de la broche porte-outil (52).

**Remarque :** n'utilisez pas de lames de scie trop petites. L'écart radial entre lame de scie et couteau diviseur doit être de 3 - 8 mm au maximum.

- ▶ **Lors du montage, assurez-vous que le sens de coupe des dents (sens de la flèche sur la lame de scie) coïncide avec le sens de la flèche sur le couteau diviseur !**
- Montez le flasque de serrage (51) et l'écrou de serrage (49).



- Tournez l'écrou de serrage (49) avec la clé polygonale (23) tout en tirant le levier de blocage de broche (50) jusqu'à ce qu'il s'enclenche.
- Serrez l'écrou de serrage dans le sens horaire.
- Remontez le pare-éclats (26).
- Remontez le capot de protection (6).
- En plus pour la version 3 601 M30 5C2 : Remontez le blocage antirecul (9).

## Utilisation

- **Débranchez le câble d'alimentation de la prise avant d'effectuer des travaux quels qu'il soient sur l'outil électroportatif.**

### Position de transport et de travail de la lame de scie

#### Position de transport

- Retirez le capot de protection (6), puis le pare-éclats (26) et positionnez le couteau diviseur (8) dans la position la plus basse. Remontez le pare-éclats (26).
- Tournez la manivelle (19) dans le sens antihoraire jusqu'à ce que les dents de la lame de scie (27) se trouvent en dessus de la table de sciage (7).
- Poussez la rallonge de table de sciage (14) à fond vers l'intérieur. Poussez le bouton de serrage (16) vers le bas. Ceci bloque la rallonge.

#### Position de travail

- Positionnez le couteau diviseur (8) dans la position la plus élevée exactement au-dessus de centre de la lame de scie, installez le pare-éclats (26), puis montez le capot de protection (6).
- Tournez la manivelle (19) dans le sens horaire jusqu'à ce que les dents supérieures de la lame de scie (27) soient positionnées env. 3 – 6 mm au-dessus de la pièce.

### Réglage d'angles d'onglet et d'angles d'inclinaison

Pour pouvoir réaliser des coupes précises, il est nécessaire après une utilisation intensive de contrôler et, le cas échéant, de corriger les réglages de base de l'outil électroportatif.

#### Réglage d'angles d'inclinaison pour coupes biaisées (lame de scie) (voir figure A)

Il est possible de régler des angles d'inclinaison de -2° à 47°.

- Desserrez le levier de blocage (17) dans le sens antihoraire.

**Remarque :** lors du desserrage complet du levier de blocage, la lame de scie bascule sous l'effet de la gravité dans une position correspondant à 30° environ.

- Tirez ou poussez le volant (18) le long de la coulisse jusqu'à ce que l'indicateur d'angle (54) indique l'angle d'inclinaison souhaité.

- Maintenez le volant dans cette position et resserrez le levier de blocage (17).

**Pour permettre le réglage rapide et précis des angles d'inclinaison standard 0° et 45°**, des butées réglées en usine ((62), (65)) sont installées.

#### Réglage d'angles d'onglet dans le plan horizontal (butée angulaire) (voir figure B)

Il est possible de régler dans le plan horizontal des angles d'onglet de 60° (vers la gauche) à 60° (vers la droite).

- Desserrez le bouton de blocage (56) (au cas où celui-ci serait serré).
- Tournez la butée angulaire jusqu'à ce que l'indicateur d'angle (57) affiche l'angle d'onglet souhaité.
- Resserrez le bouton de blocage (56).

### Agrandissement de la table de sciage

Les pièces longues et lourdes doivent être soutenues par des cales ou autre au niveau de leur extrémité libre.

#### Rallonge de table de sciage (voir figure C)

La rallonge de table de sciage (14) élargit la table de sciage (7) vers la droite à 625 mm au maximum.

- Tirez le bouton de serrage (16) de la rallonge à fond vers le haut.
- Tirez la rallonge (14) vers l'extérieur jusqu'à atteindre la longueur souhaitée.
- Poussez le bouton de serrage (16) vers le bas. Ceci bloque la rallonge.

### Réglage de la butée parallèle

La butée parallèle peut être positionnée à gauche (échelle graduée noire) ou à droite (échelle graduée argentée) de la lame de scie. Le marquage dans la loupe (28) indique la distance entre butée parallèle et lame de scie réglée sur l'échelle graduée (2).

Positionnez la butée parallèle sur le côté souhaité de la lame de scie.

#### Réglage de la butée parallèle en cas de table de sciage non déployée

- Desserrez le bouton de serrage (41) de la butée parallèle. Déplacez la butée parallèle jusqu'à ce que le marquage dans la loupe (28) affiche la distance souhaitée par rapport à la lame de scie. Quand la table de sciage n'est pas déployée, c'est le marquage inférieur de l'échelle graduée argentée (2) qui compte.
- Pour le blocage, poussez le bouton de serrage (41) à nouveau vers le bas.

#### Réglage de la butée parallèle quand la table de sciage est déployée (voir figure D)

- Positionnez la butée parallèle à droite de la lame de scie. Déplacez la butée parallèle jusqu'à ce que le marquage dans la loupe (28) sur l'échelle graduée inférieure affiche 26 cm.

Pour le blocage, poussez le bouton de serrage (41) à nouveau vers le bas.

- Tirez le bouton de serrage (16) de la rallonge à fond vers le haut.
- Tirez la rallonge (14) vers l'extérieur jusqu'à ce que l'indicateur de distance (58) affiche la distance souhaitée par rapport à la lame de scie sur l'échelle graduée supérieure.
- Poussez le bouton de serrage (16) vers le bas.  
Ceci bloque la rallonge.

### Réglage de la butée parallèle supplémentaire (voir figure E)

Pour scier des pièces étroites et réaliser des coupes biaises, il est nécessaire de monter la butée parallèle supplémentaire (43) sur la butée parallèle.

La butée parallèle supplémentaire peut au besoin être montée à gauche ou à droite de la butée parallèle.

Lors du sciage, les pièces peuvent se coincer entre la butée parallèle et la lame de scie, elle peuvent être happées par la lame de scie qui remonte et être éjectées.

C'est pourquoi il est indispensable de régler la butée parallèle supplémentaire de telle sorte que sa fin de course s'arrête entre la dent la plus en avant et le bord avant du couteau diviseur.

- Pour cela, desserrez tous les écrous papillon du set de fixation (44) et déplacez la butée parallèle supplémentaire jusqu'à ce que seules les deux vis avant servent à la fixation.
- Resserrez les écrous papillon.

### Ajustez le couteau diviseur

Le couteau diviseur (8) empêche que la lame de scie (27) ne se coince dans la rainure de coupe. Sinon, il y a risque de contrecoup, au cas où la lame de scie se coincerait dans la pièce.

Veillez à ce que le couteau diviseur soit toujours correctement réglé :

- L'écart radial entre lame de scie et couteau diviseur doit être de 3 - 8 mm au maximum.
- L'épaisseur du couteau diviseur doit être inférieure à la largeur de coupe et supérieure à l'épaisseur du corps de la lame.
- Le couteau diviseur doit être correctement aligné avec la lame de scie.
- Pour les coupes courantes, le couteau diviseur doit toujours se trouver dans la position la plus élevée.

### Réglage de la hauteur du couteau diviseur (voir figure F)

Pour réaliser des rainures, vous devez ajuster la hauteur du couteau diviseur.

- ▶ **N'utilisez l'outil électroportatif pour réaliser des rainures ou des feuillures qu'avec un dispositif de protection approprié (par ex. capot de protection type tunnel, peigne presseur).**
- Ouvrez le levier de blocage (39) et dégagez le capot de protection (6) de la rainure au niveau du couteau

diviseur (8).

Pour éviter que le capot de protection ne soit endommagé, placez-le dans le support (34) prévu à cet effet sur le carter (voir aussi la figure O1).

- En plus pour la version **3 601 M30 5C2** : Appuyez sur les boutons poussoirs (48) et dégagez le blocage antirecul (9) de l'alésage du couteau diviseur (8). Pour que le blocage antirecul ne soit pas endommagé, fixez-le dans le support (74) prévu à cet effet sur le carter (voir aussi figure O1).
- Tournez la manivelle (19) jusqu'en butée dans le sens horaire de manière à ce que la lame de scie (27) se trouve dans la position la plus élevée possible au-dessus de la table de sciage.
- Desserrez le levier de blocage (35).

ou

Version **3 601 M30 5C2** : Desserrez les vis à six pans creux (36) avec la clé mâle pour vis à six pans creux (22).

- Dégagez le couteau diviseur des pions (37) (tirez quelque peu le levier de blocage (35) vers l'extérieur) et déplacez le couteau (8) vers le bas jusqu'en butée.
- Faites en sorte que les deux pions (37) s'enclenchent dans les orifices supérieurs du couteau diviseur et resserrez le levier de blocage (35).

### Mise en marche

- ▶ **Tenez compte de la tension secteur !** La tension du secteur doit correspondre aux indications se trouvant sur la plaque signalétique de l'outil électroportatif.

#### Mise en marche (voir figure G1)

- Rabattez le couvercle de protection (20) vers le haut.
- Pour la mise en service, appuyez sur la touche Marche verte (59).
- Laissez tomber le couvercle de protection (20) pour qu'il se rabatte à nouveau vers le bas.

#### Arrêt (voir figure G2)

- Appuyez sur le couvercle de protection (20).

#### Panne de courant

L'interrupteur Marche/Arrêt est un interrupteur à tension nulle qui évite un redémarrage de l'outil électroportatif après une interruption de courant (par ex. un retrait de la fiche de secteur pendant la mise en service).

Pour remettre l'outil électroportatif en marche, appuyez à nouveau sur la touche Marche verte (59).

### Instructions d'utilisation

#### Indications générales pour le sciage

- ▶ **Pour toutes les coupes, assurez-vous d'abord que la lame de scie ne peut, dans aucun cas, toucher les butées ou d'autres parties de l'outil électroportatif.**
- ▶ **N'utilisez l'outil électroportatif pour réaliser des rainures ou des feuillures qu'avec un dispositif de protection approprié (par ex. capot de protection type tunnel, peigne presseur).**

► **N'utilisez pas l'outil électroportatif pour réaliser des rainures non traversantes (c'est-à-dire qui ne vont pas jusqu'au bout de la pièce).**

Protégez la lame de scie contre les chocs et les coups. N'exposez pas la lame de scie à une pression latérale.

Le couteau diviseur doit coïncider avec la lame de scie pour éviter que la pièce ne se coince.

Ne sciez pas des pièces déformées. Le côté de la pièce qui va être appliqué contre la butée parallèle doit toujours être droit.

Conservez toujours le poussoir de sécurité sur l'outil électroportatif.

**Position de l'utilisateur (voir figure H)**

► **Ne jamais se tenir dans l'alignement direct de la lame.**

Toujours se tenir du même côté de la lame que le guide.

Un recul peut propulser la pièce à une vitesse rapide vers laquelle se trouvant devant et dans l'alignement de la lame.

- Maintenez les mains, doigts ou bras éloignés de la lame de scie en rotation.

Respectez les indications suivantes :

- Tenez la pièce des deux mains et appuyez-la fermement sur la table de sciage.
- Pour le sciage de pièces étroites et pour la réalisation de coupes biaisées, utilisez toujours le poussoir de sécurité (24) fourni et la butée parallèle supplémentaire (43).

**Dimensions maximales de la pièce**

Angle d'inclinaison (pour coupes biaisées)	Hauteur maxi de la pièce [mm]
0°	79
45°	56

**Sciage**

**Sciage de coupes droites**

- Réglez la butée parallèle à la profondeur de coupe souhaitée.
- Posez la pièce sur la table de sciage devant le capot de protection (6).
- Soulevez ou abaissez la lame de scie à l'aide de la manivelle (19) jusqu'à ce que les dents supérieures de la lame de scie (27) soient positionnées env. 3–6 mm au-dessus de la pièce.
- Mettez l'outil électroportatif en marche.
- Sciez la pièce avec une avance régulière. Si vous exercez une pression trop importante, les dents de la lame risquent de surchauffer et la pièce risque de subir des dommages.
- Arrêtez l'outil électroportatif et attendez l'immobilisation complète de la lame de scie.

**Réalisation de coupes biaisées**

- Réglez l'angle d'inclinaison souhaité. Lorsque la lame est inclinée vers la gauche, la butée parallèle doit se trouver à droite de la lame.

- Effectuez les étapes de travail suivantes : (voir « Sciage de coupes droites », Page 39)

**Réalisation de coupes d'onglet dans le plan horizontal (voir figure I)**

- Réglez l'angle d'onglet souhaité sur la butée angulaire (3).
- Placez la pièce sur le rail profilé (29). Le profil ne doit pas se trouver le long de la ligne de coupe. Desserrez dans ce cas-là l'écrou moleté (60) et déplacez le rail profilé.
- Soulevez ou abaissez la lame de scie à l'aide de la manivelle (19) jusqu'à ce que les dents supérieures de la lame de scie (27) soient positionnées env. 3 – 6 mm au-dessus de la pièce.
- Mettez l'outil électroportatif en marche.
- Poussez la pièce contre le rail profilé (29) avec une main. Placez l'autre main sur le levier de blocage (56) et glissez lentement la butée angulaire vers l'avant dans la rainure de guidage (5).
- Arrêtez l'outil électroportatif et attendez l'immobilisation complète de la lame de scie.

**Contrôle et correction des réglages de base**

Pour pouvoir réaliser des coupes précises, il est nécessaire après une utilisation intensive de contrôler et, le cas échéant, de corriger les réglages de base de l'outil électroportatif.

Pour ce faire, il faut de l'expérience et des outils spéciaux.

Il est conseillé de confier ce travail à un centre de service après-vente Bosch agréé. Il effectuera ce travail rapidement et de façon fiable.

**Réglage des butées pour angles d'inclinaison standard de 0°/45°**

- Placez l'outil électroportatif dans la position de travail.
- Réglez un angle d'inclinaison de 0°.
- Retirez le capot de protection (6).

**Contrôle (voir figure J1)**

- Réglez un rapporteur d'angle sur 90° et positionnez-le sur la table de sciage (7).

La branche du rapporteur doit affleurer avec la lame de scie (27) sur toute sa longueur.

**Réglage (voir figure J2)**

- Desserrez la vis (61). La butée de 0° (62) peut ainsi être déplacée.
- Desserrez le levier de blocage (17).
- Poussez le volant (18) contre la butée de 0° jusqu'à ce que la branche du rapporteur affleure avec la lame de scie sur toute sa longueur.
- Maintenez le volant dans cette position et resserrez le levier de blocage (17).
- Resserrez la vis (61).

Si l'indicateur d'angle (54) ne coïncide pas avec le repère 0° de l'échelle graduée (55), desserrez la vis (63) à l'aide d'un tournevis cruciforme du commerce et faites coïncider l'indicateur d'angle avec le repère 0°.

Répétez les étapes de travail mentionnées ci-dessus de la même manière pour l'angle d'inclinaison de 45° (desserrage de la vis (64) ; déplacement de la butée de 45° (65)). L'indicateur d'angle (54) ne doit pas être déréglé pendant cette procédure.

#### **Parallélisme de la lame de scie par rapport aux rainures de guidage de la butée angulaire (voir figure K)**

- Placez l'outil électroportatif dans la position de travail.
- Retirez le capot de protection (6).

#### **Contrôle**

- À l'aide d'un crayon, marquez la première dent de lame gauche visible à l'arrière au-dessus du pare-éclats.
- Réglez le rapporteur d'angle sur 90° et placez-le sur le bord de la rainure de guidage (5).
- Déplacez la branche du rapporteur jusqu'à ce qu'il touche la dent marquée, puis notez la distance entre lame de scie et rainure de guidage.
- Tournez la lame de scie jusqu'à que la dent marquée se situe à l'avant au-dessus du pare-éclats.
- Déplacez le rapporteur d'angle le long de la rainure de guidage jusqu'à la dent marquée.
- Mesurez à nouveau la distance entre la lame de scie et la rainure de guidage.

Les deux distances mesurées doivent être identiques.

#### **Réglage**

- Desserrez la vis à six pans creux (66) à l'avant en dessous de la table de scie et les vis à six pans creux (67) à l'arrière en dessous de la lame de scie à l'aide de la clé mâle pour vis à six pans creux (22) fournie.
- Déplacez avec précaution la lame de scie jusqu'à ce qu'elle soit positionnée parallèlement à la rainure de guidage (5).
- Resserrez toutes les vis (66) et (67).

#### **Réglage de l'indicateur de distance de la table de sciage (voir figure L)**

- Positionnez la butée parallèle à droite de la lame de scie. Déplacez la butée parallèle jusqu'à ce que le marquage dans la loupe (28) sur l'échelle graduée inférieure affiche 26 cm.  
Pour le blocage, poussez le bouton de serrage (41) à nouveau vers le bas.
- Tirez le bouton de serrage (16) à fond vers le haut et tirez la rallonge de table de sciage (14) vers l'extérieur jusqu'en butée.

#### **Contrôle**

L'indicateur de distance (58) doit afficher sur l'échelle graduée supérieure (2) la même valeur que le marquage de la loupe (28) sur l'échelle graduée inférieure (2).

#### **Réglage**

- Tirez la rallonge de table de sciage (14) vers l'extérieur jusqu'en butée.
- Desserrez la vis (68) à l'aide d'un tournevis cruciforme et alignez l'indicateur de distance (58) le long du repère cm 26 de l'échelle graduée supérieure (2).

#### **Réglage du parallélisme de la butée parallèle (voir figure M)**

- Placez l'outil électroportatif dans la position de travail.
- Retirez le capot de protection (6).
- Desserrez le bouton de serrage (41) de la butée parallèle et déplacez-la jusqu'à ce qu'elle touche la lame de scie.

#### **Contrôle**

La butée parallèle doit être en contact avec la lame de scie sur toute sa longueur.

#### **Réglage**

- Desserrez les vis à six pans creux (69) avec la clé mâle pour vis à six pans creux (22) fournie.
- Déplacez avec précaution la butée parallèle jusqu'à ce qu'elle soit en contact avec la lame de scie sur toute sa longueur.
- Maintenez la butée parallèle dans cette position et poussez le bouton de serrage (41) à nouveau vers le bas.
- Resserrez les vis à six pans creux (69).

#### **Réglage de la force de serrage de la butée parallèle**

La force de serrage de la butée parallèle peut se réduire en cas d'utilisation fréquente.

- Serrez la vis d'ajustage (25) jusqu'à ce que la butée parallèle puisse à nouveau être fixée fermement à la table de sciage.

#### **Réglage de la loupe de la butée parallèle (voir figure M)**

- Placez l'outil électroportatif dans la position de travail.
- Retirez le capot de protection (6).
- Déplacez la butée parallèle à partir de la droite jusqu'à ce qu'elle touche la lame de scie.

#### **Contrôle**

Le marquage de la loupe (28) doit être aligné avec le repère 0 mm de l'échelle graduée (2).

#### **Réglage**

- Desserrez la vis (70) à l'aide d'un tournevis cruciforme et alignez le marquage le long du repère 0 mm.

#### **Réglage du niveau du pare-éclats (voir figure N)**

#### **Contrôle**

Le côté avant du pare-éclats (26) doit être au même niveau que la table de sciage ou légèrement en dessous, le côté arrière doit être au même niveau que la table de sciage ou légèrement au-dessus.

#### **Réglage**

- Retirez le pare-éclats (26).
- À l'aide des vis à six pans creux (22), réglez le bon niveau à l'aide des quatre vis d'ajustage (71).

## **Rangement et transport**

#### **Rangement des éléments amovibles de l'outil (voir figures O1 – O5)**

Pour le rangement, il est possible de fixer en toute sécurité certains éléments sur l'outil électroportatif.

- Retirez la butée parallèle additionnelle (43) de la butée parallèle .

- Placez tous les éléments retirés dans leurs supports / logements de rangement dédiés (voir tableau suivant).

Figure	Élément d'outil	Support / logement de rangement
01	Capot de protection (6)	Logez-le dans l'évidement du support (34) et serrez le levier de blocage (39)
01	Blocage antirecul (9) (version 3 601 M30 5C2)	Appuyez sur les boutons poussoirs (48) et les laisser s'enclencher dans l'alésage du support (74)
02	Set de fixation « butée parallèle additionnelle » (44)	Le clipser dans les supports (72)
02	Adaptateur d'aspiration (33)	L'insérer dans les pattes de maintien (73)
03	Clé polygonale (23)	La fixer dans le dépôt d'outil à l'aide de l'écrou de fixation (75)
03	Poussoir de sécurité (24)	L'accrocher à l'aide de l'écrou de fixation (75) et fixer par déplacement
04	Butée parallèle	La tourner, l'accrocher par le bas dans les rails de guidage et bloquer le bouton de serrage (41)
05	Vis à six pans creux (22) Vis à six pans creux (21)	L'insérer dans le support (76)
05	Butée angulaire (3)	L'insérer dans les pattes de maintien (77)
05	Butée parallèle supplémentaire (43)	L'insérer dans les pattes de maintien (31) (côté court vers le haut ; côté long vers l'arrière)

### Transport de l'outil électroportatif

Avant de transporter l'outil électroportatif, effectuez les opérations suivantes :

- Placez l'outil électroportatif dans la position de transport.
- Enlevez tous les accessoires qui ne peuvent pas être fixés solidement à l'outil électroportatif et qui risquent donc de tomber. Transportez, si possible, les lames de scie encore inutilisées dans un conteneur fermé.
- Poussez la rallonge de table de sciage (14) à fond vers l'intérieur et poussez le bouton de serrage (16) vers le bas pour fixation.
- Enroulez le câble d'alimentation secteur autour du porte-câble (30).
- Utilisez les poignées pour soulever ou transporter (13).
- **Pour transporter l'outil électroportatif, n'utilisez que les dispositifs de transport et jamais les dispositifs de protection.**

## Entretien et Service après-vente

### Nettoyage et entretien

- **Débranchez le câble d'alimentation de la prise avant d'effectuer des travaux quels qu'il soient sur l'outil électroportatif.**
- **Tenez toujours propres l'outil électroportatif ainsi que les fentes de ventilation afin d'obtenir un travail impeccable et sûr.**

Dans le cas où il s'avère nécessaire de remplacer le câble d'alimentation, confiez le remplacement à **Bosch** ou une station de Service Après-Vente agréée pour outillage **Bosch** afin de ne pas compromettre la sécurité.

### Nettoyage

Après chaque opération de travail, enlevez les poussières et les copeaux à l'aide d'un pinceau ou en soufflant avec de l'air comprimé.

### Lubrification de l'outil électroportatif

#### Lubrifiant :

Huile moteur SAE 10/SAE 20

- Le cas échéant, lubrifiez l'outil électroportatif aux endroits indiqués (voir figure P).

Un centre Service Après-Vente Bosch agréé se chargera d'effectuer tous ces travaux de manière rapide et fiable.

- **Éliminez les lubrifiants, graisses et produits de nettoyage en respectant les dispositions en matière de protection de l'environnement. Respectez la législation en vigueur.**

### Mesures visant à réduire le niveau sonore

Mesures prises par le fabricant :

- Démarrage progressif
- Fourniture avec une lame de scie spécialement conçue pour une réduction du niveau sonore

Mesures prises par l'utilisateur :

- Montage permettant une réduction des vibrations sur une surface de travail stable
- Utilisation de lames de scie avec fonctions permettant de réduire le niveau sonore
- Nettoyage régulier de la lame de scie et de l'outil électroportatif

### Accessoires

	Référence
Sac à poussière	2 610 015 511
Adaptateur d'aspiration	2 610 015 509
Adaptateur Y TSVH 3	2 610 015 513
Butée angulaire	2 610 015 507
Poussoir de sécurité	2 610 015 022
Support de travail GTA 600	0 601 B22 001
<b>Lames de scie pour bois, bois plaqués, panneaux de lambris et liteaux</b>	
Lame 254 x 25,4 mm, 40 dents	2 608 640 901
Lame 254 x 25,4 mm, 60 dents	2 608 640 902

## Service après-vente et conseil utilisateurs

Notre Service après-vente répond à vos questions concernant la réparation et l'entretien de votre produit et les pièces de rechange. Vous trouverez des vues éclatées et des informations sur les pièces de rechange sur le site :

**www.bosch-pt.com**

L'équipe de conseil utilisateurs Bosch se tient à votre disposition pour répondre à vos questions concernant nos produits et leurs accessoires.

Pour toute demande de renseignement ou toute commande de pièces de rechange, précisez impérativement la référence à 10 chiffres figurant sur l'étiquette signalétique du produit.

### Maroc

Robert Bosch Morocco SARL  
53, Rue Lieutenant Mahroud Mohamed  
20300 Casablanca  
Tel.: +212 5 29 31 43 27  
E-Mail : sav.outillage@ma.bosch.com

### Vous trouverez d'autres adresses du service après-vente sous :

[www.bosch-pt.com/serviceaddresses](http://www.bosch-pt.com/serviceaddresses)

## Élimination des déchets

Les outils électroportatifs, ainsi que leurs accessoires et emballages, doivent pouvoir suivre chacun une voie de recyclage appropriée.



Ne jetez pas les outils électroportatifs avec les ordures ménagères !

# Português

## Instruções de segurança

### Instruções gerais de segurança para ferramentas eléctricas

#### **AVISO**

Devem ser lidas todas as indicações de segurança,

instruções, ilustrações e especificações desta ferramenta eléctrica. O desrespeito das instruções apresentadas abaixo poderá resultar em choque eléctrico, incêndio e/ou ferimentos graves.

#### Guarde bem todas as advertências e instruções para futura referência.

O termo "ferramenta eléctrica" utilizado a seguir nas indicações de advertência, refere-se a ferramentas eléctricas operadas com corrente de rede (com cabo de rede) e a ferramentas eléctricas operadas com acumulador (sem cabo de rede).

### Segurança da área de trabalho

- ▶ **Mantenha a sua área de trabalho sempre limpa e bem iluminada.** Desordem ou áreas de trabalho insuficientemente iluminadas podem levar a acidentes.
- ▶ **Não trabalhar com a ferramenta eléctrica em áreas com risco de explosão, nas quais se encontrem líquidos, gases ou pós inflamáveis.** Ferramentas eléctricas produzem faíscas, que podem inflamar pós ou vapores.
- ▶ **Manter crianças e outras pessoas afastadas da ferramenta eléctrica durante a utilização.** No caso de distração é possível que perca o controlo sobre o aparelho.

### Segurança eléctrica

- ▶ **A ficha de conexão da ferramenta eléctrica deve caber na tomada. A ficha não deve ser modificada de maneira alguma. Não utilizar uma ficha de adaptação junto com ferramentas eléctricas protegidas por ligação à terra.** Fichas não modificadas e tomadas apropriadas reduzem o risco de um choque eléctrico.
- ▶ **Evitar que o corpo possa entrar em contacto com superfícies ligadas à terra, como tubos, aquecimentos, fogões e frigoríficos.** Há um risco elevado devido a um choque eléctrico, se o corpo estiver ligado à terra.
- ▶ **Manter o aparelho afastado de chuva ou humidade.** A infiltração de água numa ferramenta eléctrica aumenta o risco de choque eléctrico.
- ▶ **Não deverá utilizar o cabo para outras finalidades. Nunca utilizar o cabo para transportar a ferramenta eléctrica, para pendurá-la, nem para puxar a ficha da tomada. Manter o cabo afastado do calor, do óleo, de arestas afiadas ou de peças em movimento.** Cabos danificados ou emaranhados aumentam o risco de um choque eléctrico.
- ▶ **Se trabalhar com uma ferramenta eléctrica ao ar livre, só deverá utilizar cabos de extensão apropriados para áreas exteriores.** A utilização de um cabo de extensão apropriado para áreas exteriores reduz o risco de um choque eléctrico.
- ▶ **Se não for possível evitar o funcionamento da ferramenta eléctrica em áreas húmidas, deverá ser utilizado um disjuntor de corrente de avaria.** A utilização de um disjuntor de corrente de avaria reduz o risco de um choque eléctrico.

### Segurança de pessoas

- ▶ **Esteja atento, observe o que está a fazer e tenha prudência ao trabalhar com a ferramenta eléctrica. Não utilizar uma ferramenta eléctrica quando estiver fatigado ou sob a influência de drogas, álcool ou medicamentos.** Um momento de descuido ao utilizar a ferramenta eléctrica, pode levar a lesões graves.
- ▶ **Utilizar equipamento de protecção individual. Utilizar sempre óculos de protecção.** A utilização de equipamento de protecção pessoal, como máscara de protecção contra pó, sapatos de segurança



antiderrapantes, capacete de segurança ou protecção auricular, de acordo com o tipo e aplicação da ferramenta eléctrica, reduz o risco de lesões.

- ▶ **Evitar uma colocação em funcionamento involuntária. Assegure-se de que a ferramenta eléctrica esteja desligada, antes de conectá-la à alimentação de rede e/ou ao acumulador, antes de levantá-la ou de transportá-la.** Se tiver o dedo no interruptor ao transportar a ferramenta eléctrica ou se o aparelho for conectado à alimentação de rede enquanto estiver ligado, poderão ocorrer acidentes.
- ▶ **Remover ferramentas de ajuste ou chaves de boca antes de ligar a ferramenta eléctrica.** Uma ferramenta ou chave que se encontre numa parte do aparelho em movimento pode levar a lesões.
- ▶ **Evite uma posição anormal. Mantenha uma posição firme e mantenha sempre o equilíbrio.** Desta forma é mais fácil controlar a ferramenta eléctrica em situações inesperadas.
- ▶ **Usar roupa apropriada. Não usar roupa larga nem jóias. Mantenha os cabelos e roupas afastados de peças em movimento.** Roupas frouxas, cabelos longos ou jóias podem ser agarrados por peças em movimento.
- ▶ **Se for possível montar dispositivos de aspiração ou de recolha, assegure-se de que estejam conectados e utilizados correctamente.** A utilização de uma aspiração de pó pode reduzir o perigo devido ao pó.
- ▶ **Não deixe que a familiaridade resultante de uma utilização frequente de ferramentas permita que você se torne complacente e ignore os princípios de segurança da ferramenta.** Uma acção descuidada pode causar ferimentos graves numa fracção de segundo.

#### Utilização e manuseio cuidadoso de ferramentas eléctricas

- ▶ **Não sobrecarregue a ferramenta eléctrica. Utilize a ferramenta eléctrica apropriada para o seu trabalho.** É melhor e mais seguro trabalhar com a ferramenta eléctrica apropriada na área de potência indicada.
- ▶ **Não utilizar uma ferramenta eléctrica com um interruptor defeituoso.** Uma ferramenta eléctrica que não pode mais ser ligada nem desligada, é perigosa e deve ser reparada.
- ▶ **Puxar a ficha da tomada e/ou remover o acumulador, se amovível, antes de executar ajustes na ferramenta eléctrica, de substituir acessórios ou de guardar as ferramentas eléctricas.** Esta medida de segurança evita o arranque involuntário da ferramenta eléctrica.
- ▶ **Guardar ferramentas eléctricas não utilizadas fora do alcance de crianças e não permitir que as pessoas que não estejam familiarizadas com o aparelho ou que não tenham lido estas instruções utilizem o aparelho.** Ferramentas eléctricas são perigosas se forem utilizadas por pessoas inexperientes.
- ▶ **Tratar a ferramenta eléctrica e os acessórios com cuidado. Controlar se as partes móveis do aparelho funcionam perfeitamente e não emperram, e se há**

**peças quebradas ou danificadas que possam prejudicar o funcionamento da ferramenta eléctrica. Permitir que peças danificadas sejam reparadas antes da utilização.** Muitos acidentes têm como causa, a manutenção insuficiente de ferramentas eléctricas.

- ▶ **Mantém as ferramentas de corte afiadas e limpas.** Ferramentas de corte cuidadosamente tratadas e com cantos de corte afiados emperram com menos frequência e podem ser conduzidas com maior facilidade.
- ▶ **Utilizar a ferramenta eléctrica, acessórios, ferramentas de aplicação, etc. conforme estas instruções. Considerar as condições de trabalho e a tarefa a ser executada.** A utilização de ferramentas eléctricas para outras tarefas a não ser as aplicações previstas, pode levar a situações perigosas.
- ▶ **Mantenha os punhos e as superfícies de agarrar secas, limpas e livres de óleo e massa consistente.** Punhos e superfícies de agarrar escorregadias não permitem o manuseio e controle seguros da ferramenta em situações inesperadas.

#### Serviço

- ▶ **Só permita que o seu aparelho seja reparado por pessoal especializado e qualificado e só com peças de reposição originais.** Desta forma é assegurado o funcionamento seguro do aparelho.

#### Instruções de segurança para serras circulares de mesa

##### Indicações relacionadas com as proteções

- ▶ **Mantenha as proteções no devido lugar. As proteções devem estar em perfeitas condições de funcionamento e devidamente montadas.** Uma protecção que esteja solta, danificada ou que não esteja a funcionar corretamente deverá ser reparada ou substituída.
- ▶ **Utilize sempre a protecção do disco de serra, a cunha abridora e o dispositivo contra o efeito de coice em todas as operações de corte completo.** Nas operações de corte completo nas quais o disco de serra corta completamente através da espessura da peça de trabalho, a protecção e outros dispositivos de segurança ajudam a reduzir o risco de ferimentos.
- ▶ **Volte a colocar o sistema de protecção imediatamente após a conclusão de uma operação (tal como a ensabladura, cortes de entalhes ou de desdoblamento) que exija a remoção da protecção, da cunha abridora e/ou do dispositivo contra o efeito de coice.** A protecção, a cunha abridora e o dispositivo contra o efeito de coice ajudam a reduzir o risco de ferimentos.
- ▶ **Certifique-se de que o disco de serra não está em contacto com a protecção, com a cunha abridora ou com a peça de trabalho antes de ligar o interruptor.** O contacto inadvertido destes itens com o disco de serra pode provocar uma situação de risco.
- ▶ **Ajuste a cunha abridora tal como descrito neste manual de instruções.** O espaçamento, posicionamento

e alinhamento incorretos pode tornar a cunha abridora ineficaz na redução da probabilidade do efeito de coice.

- ▶ **Para que a cunha abridora e o dispositivo contra o efeito de coice funcionem devidamente, estes têm de ser engatados na peça de trabalho.** A cunha abridora e o dispositivo contra o efeito de coice são ineficazes ao cortar peças de trabalho que são demasiado curtas para engatar na cunha abridora e no dispositivo contra o efeito de coice. Sob estas condições, o efeito de coice não poderá ser evitado pela cunha abridora e pelo dispositivo contra o efeito de coice.
- ▶ **Utilize o disco de serra apropriado para a cunha abridora.** Para que a cunha abridora funcione devidamente, o diâmetro do disco de serra tem de se adaptar à cunha abridora apropriada e o corpo do disco de serra tem de ser mais fino do que a espessura da cunha abridora e a largura de corte do disco de serra tem de ser mais ampla do que a espessura da cunha abridora.

#### Indicações relacionadas com os procedimentos de corte

- ▶ **⚠ PERIGO: Nunca coloque os dedos ou as mãos nas proximidades ou em linha com o disco de serra.** Um momento de desatenção ou um deslize pode fazer com que a sua mão avance na direção do disco de serra e resultar em ferimentos pessoais graves.
- ▶ **Faça avançar a peça de trabalho para o disco de serra apenas contra o sentido de rotação.** Se fizer avançar a peça de trabalho no mesmo sentido que o disco de serra está a rodar acima da mesa, pode fazer com que a peça de trabalho e a sua mão sejam puxados na direção do disco de serra.
- ▶ **Nunca utilize o calibre de meia-esquadria para fazer avançar a peça de trabalho ao efetuar cortes longitudinais e não utilize a guia de corte como batente longitudinal ao efetuar cortes transversais com o calibre de meia-esquadria.** Ao guiar a peça de trabalho com a guia de corte e o calibre de meia-esquadria em simultâneo aumenta a probabilidade de o disco de serra bloquear e produzir o efeito de coice.
- ▶ **Ao efetuar cortes longitudinais, aplique sempre a força de avanço da peça de trabalho entre a guia de corte e o disco de serra. Utilize um suporte para empurrar quando a distância entre a guia de corte e o disco de serra for inferior a 150 mm e utilize um bloco para empurrar quando a distância for inferior a 50 mm.** Os dispositivos de "auxílio ao trabalho" mantêm as suas mãos a uma distância segura do disco de serra.
- ▶ **Utilize apenas o suporte para empurrar fornecido pelo fabricante ou fabricado de acordo com as instruções.** Este suporte para empurrar garante uma distância suficiente da mão em relação ao disco de serra.
- ▶ **Nunca utilize um suporte para empurrar danificado ou cortado.** Um suporte para empurrar danificado pode partir-se e fazer com que a sua mão deslize para o disco de serra.
- ▶ **Não execute qualquer operação à "mão livre". Utilize sempre a guia de corte ou o calibre de meia-esquadria**

**para posicionar e guiar a peça de trabalho.** À "mão livre" significa usar as suas mãos para suportar ou guiar a peça de trabalho, em vez de uma guia de corte ou calibre de meia-esquadria. O corte à mão livre resulta em desalinhamentos, bloqueios e efeitos de coice.

- ▶ **Nunca coloque as suas mãos nas proximidades ou acima de um disco de serra em rotação.** O manuseamento da peça de trabalho pode resultar num contacto accidental com o disco de serra em movimento.
- ▶ **Providencie um suporte auxiliar da peça de trabalho nas partes posterior e/ou laterais da mesa da serra para peças de trabalho compridas e/ou largas para as manter niveladas.** Uma peça de trabalho comprida e/ou larga tem uma tendência para rodar na extremidade da mesa, causando perda de controlo, bloqueio e efeito de coice no disco de serra.
- ▶ **Faça avançar a peça de trabalho com um ritmo uniforme. Não dobre nem torça a peça de trabalho. Se ocorrer um encravamento, desligue a ferramenta imediatamente, desligue a ferramenta da tomada e, a seguir, elimine o encravamento.** O encravamento do disco de serra pela peça de trabalho pode provocar o efeito de coice ou parar o motor.
- ▶ **Não retire os pedaços do material cortado enquanto a serra estiver em funcionamento.** O material pode ficar preso entre a guia de corte ou o interior da proteção e o disco de serra, puxando os dedos para o disco de serra. Antes de retirar o material, desligue a serra e espere até que o disco de serra pare.
- ▶ **Ao efetuar cortes longitudinais em peças de trabalho com uma espessura inferior a 2 mm, utilize uma guia de corte auxiliar em contacto com a superfície superior da mesa.** Uma peça de trabalho fina pode ficar presa sob a guia de corte e produzir um efeito de coice.

#### Causas do efeito de coice e indicações relacionadas

O efeito de coice é uma reação súbita da peça de trabalho devido a um disco de serra entalado ou bloqueado ou a uma linha de corte desalinhada na peça de trabalho em relação ao disco de serra ou quando uma parte da peça de trabalho bloqueia entre o disco de serra e a guia de corte ou outro objeto fixo.

Muito frequentemente, durante o efeito de coice, a peça de trabalho é levantada da mesa a partir da parte posterior do disco de serra e é projetada na direção do operador.

O efeito de coice é o resultado de uma utilização abusiva e/ou condições ou procedimentos incorretos de utilização da serra e pode ser evitado tomando as precauções indicadas abaixo.

- ▶ **Nunca se coloque diretamente em linha com o disco de serra. Posicione sempre o seu corpo do mesmo lado do disco de serra no qual se encontra a guia de corte.** O efeito de coice pode projetar a peça de trabalho a alta velocidade na direção de qualquer pessoa que se encontre à frente e em linha com o disco de serra.
- ▶ **Nunca coloque as mãos por cima ou atrás do disco de serra para puxar ou apoiar a peça de trabalho.** Poderá ocorrer um contacto accidental com o disco de serra ou o

efeito de coice poderá arrastar os seus dedos para o disco de serra.

- ▶ **Nunca segure nem pressione a peça de trabalho que está a ser cortada contra o disco de serra em rotação.** Se pressionar a peça de trabalho que está a ser cortada contra o disco de serra, irá criar uma condição de bloqueio e um efeito de coice.
- ▶ **Alinhe a guia de corte de forma a que esta fique paralela com o disco de serra.** Uma guia de corte mal alinhada irá apertar a peça de trabalho contra o disco de serra e criar um efeito de coice.
- ▶ **Utilize uma "guia com dedos" para guiar a peça de trabalho contra a mesa e a guia de corte ao realizar cortes parciais tais como ensabladura, cortes de entalhes ou de desdobraimento.** Uma "guia com dedos" ajuda a controlar a peça de trabalho na eventualidade de um efeito de coice.
- ▶ **Apoie painéis grandes para reduzir o risco de entalamento e o efeito de coice do disco de serra.** Os painéis grandes tendem a abater sob o seu próprio peso. O(s) apoio(s) deve(m) ser colocado(s) sob todas as partes do painel suspensas a partir da superfície superior da mesa.
- ▶ **Tenha especial cuidado ao cortar uma peça de trabalho que está torcida, entrançada, deformada ou que não possui uma aresta reta para que possa ser guiada com um calibre de meia-esquadria ou ao longo da guia de corte.** Uma peça de trabalho deformada, entrançada ou torcida é instável e provoca o desalinhamento do corte com o disco de serra e, por conseguinte, o bloqueio e efeito de coice.
- ▶ **Nunca corte mais do que uma peça de trabalho, empilhada na vertical ou horizontal.** O disco de serra pode engatar em uma ou mais peças e provocar o efeito de coice.
- ▶ **Quando reiniciar a serra com o disco de serra na peça, centre o disco de serra no corte para que os dentes da serra não fiquem engatados no material.** Se o disco de serra bloquear, pode levantar a peça de trabalho e provocar um efeito de coice quando a serra for reiniciada.
- ▶ **Mantenha os discos de serra limpos, afiados e com orientação suficiente. Nunca utilize discos de serra deformados ou discos de serra com dentes rachados ou partidos.** Os discos de serra afiados e devidamente orientados minimizam o bloqueio, a paragem e o efeito de coice.

#### Indicações relacionadas com o procedimento operacional da serra circular de mesa

- ▶ **Desligue a serra circular de mesa e desligue o cabo de alimentação ao remover o adaptador da mesa, ao substituir o disco de serra ou ao efetuar ajustes na proteção da cunha abridora, no dispositivo contra o efeito de coice ou na proteção do disco de serra, e quando a máquina é deixada sem supervisão.** As medidas preventivas evitarão os acidentes.

- ▶ **Nunca deixe a serra circular de mesa a funcionar sem supervisão. Desligue-a e não abandone a ferramenta até esta parar completamente.** Uma serra a funcionar sem supervisão constitui um risco sem controlo.
- ▶ **Coloque a serra circular de mesa numa área de trabalho bem iluminada e plana onde possa assegurar uma posição firme e equilibrada. Esta deverá ser instalada numa área com espaço suficiente que permita manusear facilmente a sua peça de trabalho.** As áreas apertadas e escuras e com pisos irregulares e escorregadios podem levar à ocorrência de acidentes.
- ▶ **Limpe e remova frequentemente a serradura debaixo da mesa da serra e/ou o dispositivo de recolha do pó.** A serradura acumulada é combustível e pode autoinflamar-se.
- ▶ **A serra circular de mesa deve ser fixada.** Uma serra circular de mesa que não esteja devidamente fixada pode mover-se ou tombar.
- ▶ **Remova as ferramentas, aparas de madeira, etc. da mesa antes de ligar a serra circular de mesa.** Uma distração ou um potencial bloqueio poderá ser perigoso.
- ▶ **Utilize sempre discos de serra com furos interiores de tamanho e forma corretos (diamante versus redondo).** Os discos de serra que não coincidam com o hardware de montagem da serra ficam descentrados, causando perda de controlo.
- ▶ **Nunca utilize elementos de montagem do disco de serra danificados ou incorretos, tais como flanges, anilhas, parafusos ou porcas de disco de serra.** Esses elementos de montagem foram especialmente concebidos para a sua serra, para uma operação segura e excelente rendimento.
- ▶ **Nunca suba para cima da serra circular de mesa, não a utilize como escadote.** Poderão ocorrer ferimentos graves se a ferramenta tombar ou se houver um contacto inadvertido com a ferramenta de corte.
- ▶ **Certifique-se de que o disco de serra é instalado para rodar no sentido correto. Não utilize discos de lixa, catrabuchas tipo tacho ou discos abrasivos numa serra circular de mesa.** A instalação inadequada do disco de serra ou a utilização de acessórios não recomendados pode provocar ferimentos graves.

#### Instruções de segurança adicionais

- ▶ **Para a montagem do disco de serra é necessário usar luvas de proteção.** Existe perigo de ferimentos.
- ▶ **Não use discos de serra de aço HSS.** Estes discos de serra podem quebrar facilmente.
- ▶ **Só utilize discos de serra que correspondam aos dados característicos indicados nesta instrução de serviço e na ferramenta elétrica e que sejam controlados conforme EN 847-1 e respetivamente marcados.**
- ▶ **Nunca utilize a ferramenta elétrica sem o encaixe de mesa. Substitua um encaixe de mesa com defeito.**

Sem um encaixe de mesa em perfeitas condições pode sofrer ferimentos no disco de serra.

- ▶ **Mantenha o local de trabalho limpo.** As misturas de materiais são muito perigosas. Pó de metal leve pode queimar ou explodir.
- ▶ **Selecione o disco de serra apropriado para o material com que deseja trabalhar.**
- ▶ **Só usar lâminas de serra recomendadas pelo fabricante desta ferramenta elétrica e apropriadas para o material com que deseja trabalhar.**
- ▶ **Desloque a peça apenas contra o disco de serra em rotação.** Caso contrário há risco de um contragolpe, se a lâmina de serra se enganchar na peça a ser trabalhada.

## Símbolos

Os seguintes símbolos podem ser importantes para a utilização da sua ferramenta elétrica. Os símbolos e os seus significados devem ser memorizados. A interpretação correta dos símbolos facilita a utilização segura e aprimorada da ferramenta elétrica.

### Símbolos e seus significados



**Mantenha as mãos afastadas da área de corte enquanto a ferramenta elétrica estiver em funcionamento.** Há perigo de ferimentos se houver contacto com o disco de serra.



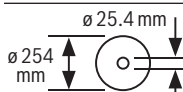
**Use uma máscara de proteção contra pó.**



**Use proteção auditiva.** Ruídos podem provocar a surdez.



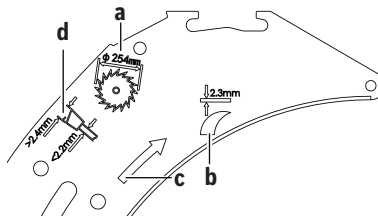
**Use óculos de proteção.**



Observe as dimensões do disco de serra. Não deve haver folga entre o diâmetro do orifício e o veio da ferramenta. Se for necessária a utilização de peças redutoras, certifique-se de que as dimensões da peça redutora são adequadas para a espessura da base do disco e ao diâmetro do furo do disco de serra, assim como o diâmetro do veio da ferramenta. Se possível, utilize a peça redutora fornecida juntamente com o disco de serra.

O diâmetro do disco de serra tem de corresponder à indicação no símbolo.

### Símbolos e seus significados

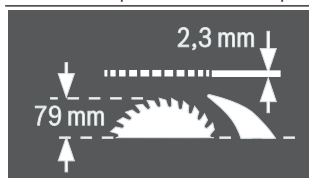


**a** O diâmetro do disco de serra pode ser no máximo de 254 mm.

**b** A espessura da cunha abridora é de 2,3 mm.

**c** O sentido de corte dos dentes (sentido da seta no disco de serra) tem de coincidir com o sentido da seta na cunha abridora.

**d** Ao substituir o disco de serra, certifique-se de que a largura de corte não é inferior a 2,4 mm e que a espessura da base do disco não é superior a 2,2 mm. Caso contrário, existe o risco que a cunha abridora prender na peça.



A espessura da cunha abridora é de 2,3 mm.

A altura máxima possível da peça é de 79 mm.

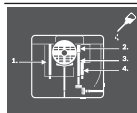


#### Lado esquerdo:

Indica o sentido de rotação da manivela para afundar (**posição de transporte**) e elevar (**posição de trabalho**) o disco de serra.

#### Lado direito:

Indica a posição da alavanca de bloqueio para fixar o disco de serra e ao ajustar o ângulo de meia-esquadria vertical (disco de serra oscilável).



Se necessário, aplique óleo na ferramenta elétrica nos locais indicados.



As ferramentas elétricas da classe de proteção II são reforçadas ou têm isolamento duplo.

**Símbolos e seus significados**

Com a marcação CE, o fabricante confirma que a ferramenta elétrica está em conformidade com as diretivas da UE aplicáveis.

**Descrição do produto e do serviço**

**Leia todas as instruções de segurança e instruções.** A inobservância das instruções de segurança e das instruções pode causar choque elétrico, incêndio e/ou ferimentos graves.

Respeite as figuras na parte da frente do manual de instruções.

**Utilização adequada**

A ferramenta elétrica é destinada à utilização como aparelho estacionário, para cortes longitudinais e transversais, retos, em madeira dura e macia, assim como placas de aglomerado de madeira e de fibras. São possíveis ângulos de meia-esquadria horizontais de  $-60^\circ$  a  $+60^\circ$  e ângulos de meia-esquadria verticais de  $-2^\circ$  a  $47^\circ$ .

Utilizando os respetivos discos de serra é possível serrar perfis de alumínio e de plástico.

**Componentes ilustrados**

A numeração dos componentes ilustrados refere-se à apresentação da ferramenta elétrica na página de esquemas.

- |      |   |      |  |
|------|---|------|--|
| (1)  | Ranhura de guia para a guia paralela                                  | (19) | Manivela para subir e descer o disco de serra  |
| (2)  | Escala para distância entre o disco de serra e a guia paralela        | (20) | Cobertura de segurança do interruptor de ligar/desligar                                |
| (3)  | Guia angular  | (21) | Chave sextavada interior (2 mm)  |
| (4)  | Cavidades de pega   | (22) | Chave sextavada interior (5 mm)  |
| (5)  | Ranhura de guia para a guia angular                                   | (23) | Chave anular (23 mm)   |
| (6)  | Cobertura de proteção   | (24) | Pau para empurrar  |
| (7)  | Mesa de serra   | (25) | Parafuso de ajuste para a força de aperto da guia paralela                             |
| (8)  | Cunha abridora  | (26) | Inserto de mesa  |
| (9)  | Bloqueio de contragolpes <sup>a)</sup>                                | (27) | Lâmina de serra  |
| (10) | Guia paralela   | (28) | Lente  |
| (11) | Ranhura de guia em V na mesa de serra para a guia paralela            | (29) | Calha perfilada  |
| (12) | Furos para montagem   | (30) | Suporte para o cabo  |
| (13) | Pega de transporte  | (31) | Gancho de suporte para o armazenamento da guia paralela adicional                      |
| (14) | Conjunto de extensão da mesa de serra                                 | (32) | Expulsão de aparas   |
| (15) | Dispositivo de fixação para a mesa de trabalho GTA 600                | (33) | Adaptador de aspiração   |
| (16) | Punho de aperto para conjunto de extensão da mesa de serra            | (34) | Suporte para armazenamento da cobertura de proteção                                    |
| (17) | Alavanca de bloqueio para ajustar o ângulo vertical de meia-esquadria | (35) | Alavanca de aperto da cunha abridora   |
| (18) | Roda manual   | (36) | Parafusos de sextavado interior da cunha abridora <sup>a)</sup>                        |
|      |   | (37) | Pino de posicionamento para a cunha abridora   |
|      |   | (38) | Entalhe para inserto de mesa   |
|      |   | (39) | Alavanca de aperto da cobertura de proteção  |
|      |   | (40) | Pinos de guia da cobertura de proteção   |
|      |   | (41) | Punho de aperto da guia paralela   |
|      |   | (42) | Guia em forma de V da guia paralela  |
|      |   | (43) | Guia paralela adicional  |
|      |   | (44) | Conjunto de fixação "Guia paralela adicional"  |
|      |   | (45) | Calha de guia da guia angular  |
|      |   | (46) | Conjunto de fixação "Calha perfilada"  |
|      |   | (47) | Parafuso de fixação para expulsão de aparas  |
|      |   | (48) | Botões de pressão para recuar o pino de guia do bloqueio de contragolpes <sup>a)</sup> |
|      |   | (49) | Porca de aperto  |
|      |   | (50) | Alavanca de bloqueio do veio   |
|      |   | (51) | Flange de aperto   |
|      |   | (52) | Veio da ferramenta   |
|      |   | (53) | Flange de admissão   |
|      |   | (54) | Indicador de ângulo (vertical)   |
|      |   | (55) | Escala para ângulo de meia-esquadria (vertical)  |
|      |   | (56) | Manipulo de fixação para qualquer ângulo de meia-esquadria (horizontal)                |
|      |   | (57) | Indicador de ângulo na guia angular  |
|      |   | (58) | Indicador de distância da mesa de serra  |
|      |   | (59) | Tecla para ligar   |

- (60) Porca serrilhada da calha perfilada
- (61) Parafuso de fenda em cruz para ajustar o batente 0°
- (62) Batente para ângulo de meia-esquadria de 0° (vertical)
- (63) Parafuso para indicador de ângulo (vertical)
- (64) Parafuso de fenda em cruz para ajustar o batente 45°
- (65) Batente para ângulo de meia-esquadria de 45° (vertical)
- (66) Parafusos de sextavado interior (5 mm) à frente para ajustar a paralelidade do disco de serra
- (67) Parafusos de sextavado interior (5 mm) atrás para ajustar a paralelidade do disco de serra
- (68) Parafuso para o indicador de distância da mesa de serra
- (69) Parafusos de sextavado interior (5 mm) para ajustar o paralelismo da guia paralela
- (70) Parafuso para o indicador de distância da guia paralela
- (71) Parafusos de ajuste para inserto de mesa
- (72) Suporte para o armazenamento do conjunto de fixação «Guia paralela adicional»
- (73) Gancho de suporte para o armazenamento do adaptador de aspiração
- (74) Suporte para armazenamento do bloqueio de contragolpes<sup>a)</sup>
- (75) Porca de fixação para a chave anular e para pendurar o pau de empurrar
- (76) Suporte para o armazenamento da chave sextavada interior
- (77) Gancho de suporte para armazenamento da guia angular

a) Versão do país **3 601 M30 5C2**

### Dados técnicos

Serra circular de mesa		GTS 10 J	GTS 10 J
		<b>3 601 M30 5..</b>	<b>3 601 M30 5C2</b>
Número de produto			
Potência nominal absorvida	W	1800	1700
Tensão nominal	V	220–240	120
Frequência	Hz	50/60	60
N.º de rotações em vazio	r.p.m.	3650	3700
Limitador da corrente de arranque		●	●
Peso conforme EPTA-Procedure 01:2014	kg	26,2	26,2
Classe de proteção		□ / II	□ / II
Dimensões (incluindo elementos do aparelho amovível)			
Largura x profundidade x altura	mm	640 x 706 x 330	640 x 706 x 330
<b>Medidas de discos de serra apropriados</b>			
Diâmetro do disco de serra	mm	254	254
Espessura da base do disco	mm	< 2,2	< 2,2
Mín. espessura/torção dos dentes	mm	> 2,4	> 2,4
Diâmetro do furo	mm	25,4	25,4

Dimensões máximas da peça: (ver "Máximas dimensões da peça a ser trabalhada", Página 53)

Os dados aplicam-se a uma tensão nominal [U] de 230 V. Com tensões divergentes e em versões específicas do país, estes dados podem variar.

## Montagem

- **Evitar um arranque involuntário da ferramenta elétrica. A ficha de rede não deve estar conectada à alimentação elétrica durante a montagem e durante todos trabalhos na ferramenta elétrica.**

### Volume de fornecimento

Antes de colocar a ferramenta elétrica em funcionamento pela primeira vez, deverá verificar se todas as peças especificadas abaixo foram fornecidas:

- Serra circular de mesa com lâmina de serra montada **(27)** e cunha abridora **(8)**
- Guia angular **(3)**
- Calha perfilada **(29)**
- Conjunto de fixação "calha perfilada" **(46)** (chapa guia, porca serrilhada, parafuso, anilha plana)
- Guia paralela
- Guia paralela adicional **(43)**



- Conjunto de fixação "Guia paralela adicional" (44) (3 parafusos de fixação, 3 anilhas, 3 porcas de orelhas)
- Cobertura de proteção (6)
- Bloqueio de contragolpes (9) (versão do país 3 601 M30 5C2)
- Chave sextavada interior (22)
- Chave sextavada interior (21)
- Chave anular (23)
- Pau para empurrar (24)
- Inserto de mesa (26)
- Adaptador de aspiração (33)

**Nota:** verifique se a ferramenta elétrica apresenta danos. Antes de continuar a utilizar a ferramenta elétrica, deverá controlar cuidadosamente todos os dispositivos de segurança e peças levemente danificadas e verificar se estão a funcionar corretamente. Verifique se as peças móveis funcionam perfeitamente e não emperram, ou se há peças danificadas. Todas as peças devem ser montadas corretamente e corresponder a todas as exigências, para que seja assegurado um funcionamento impecável. Dispositivos de segurança e peças danificadas devem ser devidamente reparados ou substituídos por uma oficina especializada.

### Montagem de componentes individuais

- Retire todas as peças fornecidas cuidadosamente das respectivas embalagens.
- Remova todo o material de embalagem da ferramenta elétrica e dos acessórios fornecidos.
- Observar que o material de embalagem por debaixo do bloco do motor seja removido.

Diretamente na carcaça estão fixos os seguintes elementos do aparelho: pau para empurrar (24), chave anular (23), chave sextavada interior (22) e (21), guia paralela (10), guia angular (3), adaptador de aspiração (33), guia paralela adicional (43) com conjunto de fixação (44), cobertura de proteção (6).

- Assim que necessitar um destes elementos do aparelho, retire o mesmo com cuidado do depósito de armazenamento.

### Posicionar a cunha abridora (ver figuras a1-a2)

**Nota:** Se necessário, deverá limpar todas as peças a montar antes de serem posicionadas.

- Rode a manivela (19) para a direita até ao batente, para que o disco de serra (27) se encontre na posição mais alta possível sobre a mesa de serra.
- Solte a alavanca de aperto (35).  
ou  
Versão do país 3 601 M30 5C2 : Solte os parafusos de sextavado interior (36) com a chave sextavada interior (22).
- Empurre a cunha abridora (8) no sentido da alavanca de aperto (35), até poder ser puxada para cima.

- Puxe a cunha abridora totalmente para cima de forma a que fique posicionada exatamente sobre o centro do disco de serra.
- Deixe os dois pinos (37) engatarem nos furos inferiores na cunha abridora e volte a apertar a alavanca de aperto (35) ou os parafusos de sextavado interior (36).

### Montar o inserto de mesa (ver figura b)

- Engate o inserto de mesa (26) nos entalhes traseiros (38) do compartimento da ferramenta.
- Desloque o inserto de mesa para baixo.
- Pressione o inserto de mesa até ele encaixar à frente no compartimento da ferramenta.

A parte da frente do inserto de mesa (26) tem de ficar à face ou um pouco abaixo da mesa de serra, a parte de trás tem de estar à face ou um pouco acima da mesa de serra.

### Montar a cobertura de proteção (ver figuras c1-c2)

**Nota:** Monte a cobertura de proteção apenas, se a cunha abridora na posição mais alta estiver posicionada exatamente acima do meio do disco de serra (ver figura a2). Não monte a cobertura de proteção, se a cunha abridora se encontrar na posição mais baixa (estado de fornecimento ou posição de serrar ranhuras (ver figura a1)).

- Solte a alavanca de aperto (39) e retire a cobertura de proteção (6) do suporte (34).
- Com uma mão segure a proteção do disco de serra (calha de metal superior) da cobertura de proteção (6) e com a outra mão puxe a alavanca de aperto (39) para cima.
- Empurre os pinos de guia (40) para trás na ranhura na cunha abridora (8).
- Empurre a cobertura de proteção (6) para baixo, até a proteção do disco de serra (calha de metal superior) ficar paralela à superfície da mesa de serra (7).
- Pressione a alavanca de aperto (39) para baixo. A alavanca de aperto tem de engatar nitida e audivelmente e a cobertura de proteção (6) tem de estar bem montada e de forma segura.

► **Verifique antes de cada utilização se a cobertura de proteção se move sem problemas. Não utilize a ferramenta elétrica, se a cobertura de proteção não se mover livremente e não se fechar de imediato.**

### Montar a guia paralela (ver figura d)

A guia paralela (10) pode ser montada à esquerda ou à direita do disco de serra.

- Solte o punho de aperto (41) da guia paralela (10). Desta forma, é aliviada a guia em V (42).
- Coloque primeiro a guia paralela com a guia em V na ranhura de guia (11) da mesa de serra. Depois, posicione a guia paralela na ranhura de guia dianteira (1) da mesa de serra.  
A guia paralela pode agora ser deslocada como desejar.
- Para fixar a guia paralela pressione o punho de aperto (41) para baixo.

**Montar a guia paralela adicional (ver figura e)**

**Para cortar peças estreitas e em ângulo de meia-esquadria vertical** tem de montar a guia paralela adicional (43) na guia paralela (10).

A guia paralela adicional, poder ser montada opcionalmente à esquerda ou a direita na guia paralela (10).

Para a montagem use o conjunto de fixação "Guia paralela adicional" (44) (2 parafuso de fixação, 2 anilhas, 2 porcas de orelhas).

- Introduza os parafusos de fixação nos furos laterais na guia paralela (10).
- As cabeças dos parafusos servem de guia para a guia paralela adicional.
- Desloque a guia paralela adicional (43) sobre as cabeças dos parafusos de fixação.
- Coloque as anilhas sobre os parafusos de fixação e aperte os parafusos com a ajuda das porcas de orelhas.

**Montar a guia angular (ver figura f1–f2)**

- Introduza a guia (45) da guia angular (3) numa das ranhuras de guia (5) previstas para o fim da mesa de serra.

Para encostar melhor peças compridas, a guia angular pode ser prolongada através da calha perfilada (29).

- Se necessário, monte a calha perfilada com a ajuda do conjunto de fixação (46) na guia angular.

**Aspiração de pó/de aparas**

Pós de materiais como por exemplo, tintas que contém chumbo, alguns tipos de madeira, minerais e metais, podem ser nocivos à saúde. O contacto ou a inalação dos pós pode provocar reações alérgicas e/ou doenças nas vias respiratórias do utilizador ou das pessoas que se encontrem por perto.

Certos pós, como por exemplo pó de carvalho e faia são considerados como sendo cancerígenos, especialmente quando juntos com substâncias para o tratamento de madeiras (cromato, produtos de proteção da madeira). Material que contém asbesto só deve ser processado por pessoal especializado.

- Se possível deverá usar um dispositivo de aspiração de pó apropriado para o material.
- Assegurar uma boa ventilação do local de trabalho.
- É recomendável usar uma máscara de proteção respiratória com filtro da classe P2.

Observe as diretivas para os materiais a serem processados, vigentes no seu país.

A aspiração de pó/de aparas pode ser bloqueada por pó, aparas ou por estilhaços da peça a ser trabalhada.

- Desligue a ferramenta elétrica e retire a ficha de rede da tomada.
- Aguarde até que o disco de serra esteja completamente parado.
- Verifique a causa do bloqueio e elimine-a.

- ▶ **Evite a acumulação de pó no local de trabalho.** Pós podem entrar levemente em ignição.

- ▶ **Para evitar o perigo de incêndio ao serrar alumínio, esvazie a expulsão de aparas e não use aspiração de aparas.**

**Esvaziar expulsão de aparas (ver figura g)**

Para remover estilhaços da peça e aparas grandes, pode esvaziar a expulsão de aparas (32).

- Desligar a ferramenta elétrica e puxar a ficha de rede da tomada.
- Aguardar até que o disco de serra esteja completamente parado.
- Desaperte o parafuso de fixação (47) com a chave sextavada interior (22).
- Retire a expulsão de aparas (32) e remova os estilhaços da peça e as aparas.
- Volte a montar a expulsão de aparas na ferramenta elétrica.

**Aspiração externa (ver figura h)**

Use o adaptador de aspiração (33) fornecido, para ligar um aspirador à expulsão de aparas (32).

- Insira bem o adaptador de aspiração (33) e a mangueira de aspiração.

O aspirador de pó deve ser apropriado para o material a ser trabalhado.

Utilize um aspirador especial para aspirar pó que seja extremamente nocivo à saúde, cancerígeno ou seco.

**Montagem estacionária ou flexível**

- ▶ **Para assegurar um manuseio seguro, é necessário que, antes da utilização, a ferramenta elétrica seja montada sobre uma superfície de trabalho plana e estável (p. ex. bancada de trabalho).**

**Montagem numa superfície de trabalho (ver figura i)**

- Fixe a ferramenta elétrica à superfície de trabalho com uma união roscada apropriada. Os orifícios (12) servem para esse efeito.

**Montagem numa mesa de trabalho Bosch (ver figura j)**

As mesas de trabalho da Bosch (p. ex. **GTA 600**) oferecem firmeza à ferramenta elétrica, sobre qualquer solo, devido aos pés de altura ajustável.

- ▶ **Ler todas as indicações de aviso e instruções fornecidas com a mesa de trabalho.** O desrespeito das indicações de aviso e das instruções pode causar choque elétrico, queimaduras e/ou ferimentos graves.
- ▶ **Montar corretamente a mesa de trabalho, antes de montar a ferramenta elétrica.** É importante que a montagem seja perfeita, para evitar o risco de desmoronamento.
- Monte a ferramenta elétrica na posição de transporte sobre a mesa de trabalho.

**Trocar o disco de serra (ver figuras k1–k4)**

- ▶ **Antes de todos trabalhos na ferramenta elétrica deverá puxar a ficha de rede da tomada.**

- ▶ **Para a montagem do disco de serra é necessário usar luvas de proteção.** Existe perigo de ferimentos.
- ▶ **Só utilizar discos de serra com uma máxima velocidade admissível superior à velocidade da marcha em vazio da ferramenta elétrica.**
- ▶ **Só utilizar discos de serra que correspondam aos dados característicos indicados nesta instrução de serviço e na ferramenta elétrica e que sejam controlados conforme EN 847-1 e respetivamente marcados.**
- ▶ **Utilize apenas discos de serra recomendados pelo fabricante desta ferramenta elétrica e adequados para o material com que deseja trabalhar.** Assim evita um sobreaquecimento das pontas dos dentes de serra e derretimento do plástico a trabalhar.
- ▶ **Não use discos de serra de aço HSS.** Estes discos de serra podem quebrar facilmente.

#### Desmontar o disco de serra

- Rode a manivela (19) para a direita até ao batente, para que o disco de serra (27) se encontre na posição mais alta possível sobre a mesa de serra.
- Abra a alavanca de aperto (39) e retire a cobertura de proteção (6) para fora da ranhura na cunha abridora (8).
- Adicionalmente na versão do país 3 601 M30 5C2 : Prima os botões de pressão (48) em conjunto e puxe o bloqueio de contragolpes (9) do furo na cunha abridora (8).
- Levante com uma chave de parafusos o inserto de mesa (26) à frente e retire-o do compartimento da ferramenta.
- Rode a porca de aperto (49) com a chave anular (23) e puxe ao mesmo tempo a alavanca de bloqueio do veio (50) até esta engatar.
- Manter a alavanca de travamento do veio puxada e desatarraxar a porca de aperto no sentido contrário dos ponteiros do relógio.
- Retire o flange de aperto (51).
- Retire o disco de serra (27).

#### Montar o disco de serra

Se necessário, deverá limpar todas as peças antes de serem montadas.

- Coloque o novo disco de serra no flange de admissão (53) do veio da ferramenta (52).

**Nota:** Não use discos de serra demasiado pequenos. A folga radial entre disco de serra e cunha abridora só pode ser de no máximo 3–8 mm.

- ▶ **Durante a montagem, deverá observar que o sentido de corte dos dentes (sentido da seta sobre o disco de corte) coincida com o sentido da seta sobre a cunha abridora!**
- Coloque o flange de aperto (51) e a porca de aperto (49).
- Rode a porca de aperto (49) com a chave anular (23) e puxe ao mesmo tempo a alavanca de bloqueio do veio (50) até esta engatar.

- Apertar a porca de aperto no sentido dos ponteiros do relógio.
- Volte a colocar o inserto de mesa (26).
- Volte a montar a cobertura de proteção (6).
- Adicionalmente na versão do país 3 601 M30 5C2 : Monte novamente o bloqueio de contragolpes (9).

## Funcionamento

- ▶ **Antes de todos trabalhos na ferramenta elétrica deverá puxar a ficha de rede da tomada.**

### Posição de transporte e de trabalho do disco de serra

#### Posição de transporte

- Remova a cobertura de proteção (6), retire o inserto de mesa (26) e posicione a cunha abridora (8) na posição mais baixa. Volte a colocar o inserto de mesa (26).
- Rode a manivela (19) para a esquerda, até que os dentes do disco de serra (27) se encontrarem por baixo da mesa de serra (7).
- Empurre o conjunto de extensão da mesa de serra (14) totalmente para dentro. Pressione o punho de aperto (16) para baixo. Desta forma, o conjunto de extensão da mesa de serra está fixo.

#### Posição de trabalho

- Posicione a cunha abridora (8) na posição mais alta precisamente ao centro do disco de serra, introduza o inserto de mesa (26) e monte a cobertura de proteção (6).
- Rode a manivela (19) para a direita, até que os dentes superiores do disco de serra (27) se encontrem a aprox. 3–6 mm por cima da peça.

### Ajustar ângulos de meia-esquadria verticais e horizontais

Após uso intensivo, deverá controlar, e se necessário corrigir, os ajustes básicos da ferramenta elétrica, para assegurar cortes precisos.

#### Ajustar ângulos de meia-esquadria verticais (disco de serra) (ver figura A)

O ângulo de meia-esquadria vertical pode ser ajustado numa faixa de -2° a 47°.

- Solte a alavanca com retenção (17) para a esquerda.

**Nota:** Ao soltar a alavanca com retenção, o disco de serra oscila, devido à gravidade, para uma posição que corresponde aproximadamente a 30°.

- Puxe ou pressione a roda manual (18) ao longo do fundo, até o indicador de ângulo (54) mostre o ângulo de meia-esquadria vertical desejado.
- Segure a roda manual nesta posição e volte a apertar a alavanca de bloqueio (17).

**Para ajustar de forma rápida e precisa os ângulos padrões verticais 0° e 45°** existem batentes ajustados de fábrica ((62), (65)).

#### **Ajustar ângulos de meia-esquadria horizontais (guia angular) (ver figura B)**

O ângulo de meia-esquadria horizontal pode ser ajustado numa faixa de 60° (à esquerda) até 60° (à direita).

- Solte o manípulo de fixação (56), caso este esteja apertado.
- Rode a guia angular, até o indicador de ângulo (57) exibir o ângulo de meia-esquadria desejado.
- Aperte novamente o manípulo de fixação (56).

#### **Aumentar a mesa de serra**

Apoiar ou escorar as extremidades de peças compridas e pesadas.

#### **Conjunto de extensão da mesa de serra (ver figura C)**

- O conjunto de extensão da mesa de serra (14) amplia a mesa de serra (7) para a direita para no máximo 625 mm.
- Puxe o punho de aperto (16) para o conjunto de extensão da mesa de serra totalmente para cima.
  - Puxe o conjunto de extensão da mesa de serra (14) para fora até ao comprimento desejado.
  - Pressione o punho de aperto (16) para baixo. Desta forma, o conjunto de extensão da mesa de serra está fixo.

#### **Ajustar a guia paralela**

A guia paralela pode ser montada à esquerda (escala preta) ou à direita (escala prateada) do disco de serra. A marcação na lupa (28) mostra a distância ajustada da guia paralela até ao disco de serra na escala (2).

Posicione a guia paralela no lado desejado do disco de serra.

#### **Ajustar a guia paralela com a mesa de serra não aberta**

- Solte o punho de aperto (41) da guia paralela. Desloque a guia paralela, até a marcação na lupa (28) mostre a distância desejada em relação ao disco de serra. Com a mesa de serra não aberta, é válida a inscrição inferior da escala prateada (2).
- Para fixar, pressione o punho de aperto (41) outra vez para baixo.

#### **Ajustar a guia paralela com a mesa de serra aberta (ver figura D)**

- Posicionar a guia paralela no lado direito do disco de serra. Desloque a guia paralela, até a marcação na lupa (28) na escala inferior mostrar 26 cm. Para fixar, pressione o punho de aperto (41) outra vez para baixo.
- Puxe o punho de aperto (16) para o conjunto de extensão da mesa de serra totalmente para cima.
- Puxe o conjunto de extensão da mesa de serra (14) totalmente para fora, até o indicador de distância (58)

exibir a distância desejada em relação ao disco de serra na escala superior.

- Pressione o punho de aperto (16) para baixo. Desta forma, o conjunto de extensão da mesa de serra está fixo.

#### **Ajustar a guia paralela adicional (ver figura E)**

**Para cortar peças estreitas e em ângulo de meia-esquadria vertical** tem de montar a guia paralela adicional (43) na guia paralela.

A guia paralela adicional, poder ser montada opcionalmente à esquerda ou a direita na guia paralela.

Peças podem ser emperradas entre a guia paralela e o disco de serra, podem ser puxadas pelo disco de serra a subir e então atiradas para longe.

Portanto deverá ajustar a guia paralela adicional, de modo que a extremidade de guia termine na área entre o dente dianteiro do disco de serra e o canto dianteiro da cunha abridora.

- Para tal, solte todas as porcas de orelhas do conjunto de fixação (44) e desloque a guia paralela adicional, até só servirem para fixação os dois parafusos dianteiros.
- Reapertar as porcas de orelhas.

#### **Ajustar a cunha abridora**

A cunha abridora (8) evita que o disco de serra (27) fique entalado da ranhura de corte. Caso contrário há risco de um contragolpe, se o disco de serra se enganchar na peça a ser trabalhada.

Por isso, certifique-se de que a cunha abridora está sempre corretamente montada:

- A folga radial entre disco de serra e cunha abridora só pode ser de no máximo 3–8 mm.
- A espessura da cunha abridora deve ser menor do que a largura de corte e maior do que a espessura da base do disco.
- A cunha abridora deve sempre estar em uma linha com o disco de serra.
- Para cortes normais é necessário que a cunha abridora esteja sempre na posição mais alta possível.

#### **Ajustar a altura da cunha abridora (ver figura F)**

Para serrar ranhuras é necessário ajustar a altura da cunha abridora.

- ▶ **Utilize a ferramenta elétrica para ranhurar ou ensamblar apenas com o respetivo dispositivo de proteção adequado (p. ex. cobertura de proteção em túnel, pente de pressão).**
- Abra a alavanca de aperto (39) e retire a cobertura de proteção (6) para fora da ranhura na cunha abridora (8). Para proteger a tampa de proteção contra danos, deposite-a no suporte (34) previsto para o efeito na carcaça (ver também a figura 01).
- Adicionalmente na versão do país **3 601 M30 5C2**: Prima os botões de pressão (48) em conjunto e puxe o bloqueio de contragolpes (9) do furo na cunha abridora (8).

Para depositar com segurança o bloqueio de contragolpes, fixe-o no suporte (74) previsto para o efeito na carcaça (ver também a figura 01).

- Rode a manivela (19) para a direita até ao batente, para que o disco de serra (27) se encontre na posição mais alta possível sobre a mesa de serra.
- Solte a alavanca de aperto (35).  
ou  
Versão do país 3 601 M30 5C2 : Solte os parafusos de sextavado interior (36) com a chave sextavada interior (22).
- Puxe a cunha abridora dos pinos (37) (puxe a alavanca de aperto (35) um pouco para fora) e empurre a cunha abridora (8) para baixo, até ao batente.
- Deixe os dois pinos (37) engatarem nos furos superiores na cunha abridora e volte a apertar a alavanca de aperto (35).

### Colocação em funcionamento

- ▶ **Observar a tensão de rede!** A tensão da fonte de corrente elétrica deve coincidir com os dados que constam na placa de características da ferramenta elétrica.

#### Ligar (ver figura G1)

- Vire a cobertura de segurança (20) para cima.
- Para a colocação em funcionamento pressione a tecla para ligar verde (59).
- Vire a cobertura de segurança (20) novamente para baixo.

#### Desligar (ver figura G2)

- Pressione a cobertura de segurança (20).

#### Falha de corrente

O interruptor de ligar/desligar é o chamado interruptor de tensão nula, que impede o rearranque da ferramenta elétrica após uma falha e corrente (p. ex. retirar a ficha de rede durante o funcionamento).

Para colocar de seguida a ferramenta elétrica novamente a funcionar, tem de premir novamente a tecla para ligar verde (59).

### Instruções de trabalho

#### Indicações gerais para serrar

- ▶ **Antes de todos os cortes, deverá assegurar-se de que a lâmina de serra não possa de modo algum entrar em contacto com os limitadores nem com quaisquer outras partes do aparelho.**
- ▶ **Utilize a ferramenta elétrica para ranhurar ou ensamblar apenas com o respetivo dispositivo de proteção adequado (p. ex. cobertura de proteção em túnel, pente de pressão).**
- ▶ **Não use a ferramenta elétrica para abrir ranhuras (ranhura terminada na peça).**

Proteger a lâmina de serra contra golpes e pancadas. A lâmina de serra não deve ser exposta a nenhuma pressão lateral.

A cunha abridora deve estar alinhada com a lâmina de serra, para evitar que a peça a ser trabalhada possa emperrar.

Não trabalhe peças empenadas. A peça tem de ter sempre um lado reto para encostar na guia paralela.

Guarde sempre o pau para empurrar na ferramenta elétrica.

#### Posição do operador (ver figura H)

- ▶ **Nunca se coloque diretamente em linha com o disco de serra. Posicione sempre o seu corpo do mesmo lado do disco de serra no qual se encontra a guia de corte.** O efeito de coice pode projetar a peça de trabalho a alta velocidade na direção de qualquer pessoa que se encontre à frente e em linha com o disco de serra.
- Mantenha as mãos, os dedos e os braços afastados do disco de serra em rotação.

Observe as seguintes indicações:

- Manter a peça a ser trabalhada seguramente com ambas as mãos e premir firmemente contra a mesa de serra.
- Para peças estreitas e para cortar em ângulo de meia-esquadria vertical, utilize sempre o pau para empurrar (24) fornecido e a guia paralela adicional (43).

#### Máximas dimensões da peça a ser trabalhada

Ângulo de meia-esquadria vertical	Altura máx. da peça [mm]
0°	79
45°	56

### Serrar

#### Serrar cortes a direito

- Ajuste a guia paralela à largura de corte desejada.
- Coloque a peça sobre a mesa de serrar em frente à cobertura de proteção (6).
- Suba e desça o disco de serra através da manivela (19) para cima ou para baixo até que os dentes superiores do disco de serra (27) se encontrem a aprox. 3–6 mm por cima da peça.
- Ligue a ferramenta elétrica.
- Serrar a peça com avanço uniforme.  
Se exercer demasiada pressão, as pontas do disco de serra podem sobreaquecer e a peça pode ser danificada.
- Desligue a ferramenta elétrica e aguarde até o disco de serra estar completamente parado.

#### Serrar ângulos verticais de meia-esquadria

- Ajustar o ângulo de meia-esquadria vertical desejado do disco de serra.  
Com o disco de serra inclinado para a esquerda, a guia paralela tem de estar à direita do disco de serra.
- Siga os passos de trabalho de acordo com: (ver "Serrar cortes a direito", Página 53)

### Serrar ângulos de meia-esquadria horizontais (ver figura I)

- Ajustar o ângulo de meia-esquadria horizontal desejado na guia angular (3).
- Coloque a peça na calha perfilada (29). O perfil não deve encontrar-se na linha de corte. Solte neste caso a porca serrilhada (60) e desloque a calha perfilada.
- Suba e desça o disco de serra através da manivela (19) para cima ou para baixo até que os dentes superiores do disco de serra (27) se encontrem a aprox. 3–6 mm por cima da peça.
- Ligar a ferramenta elétrica.
- Com uma mão, pressione a peça contra a calha perfilada (29) e, com a outra mão, empurre a guia angular no manípulo de fixação (56) lentamente na ranhura de guia (5) para a frente.
- Desligue a ferramenta elétrica e aguarde até o disco de serra estar completamente parado.

### Verificar e realizar os ajustes básicos

Após uso intensivo, deverá controlar, e se necessário corrigir, os ajustes básicos da ferramenta elétrica, para assegurar cortes precisos.

Para tal são necessárias experiência e ferramentas especiais.

Uma oficina de serviço pós-venda Bosch executa este trabalho de forma rápida e fiável.

### Ajustar batentes para ângulo de meia-esquadria vertical 0°/45°

- Coloque a ferramenta elétrica na posição de trabalho.
- Ajuste um ângulo de meia-esquadria vertical do disco de serra de 0°.
- Retire a cobertura de proteção (6).

### Verificar (ver figura J1)

- Ajuste o calibre angular para 90° e coloque-o sobre a mesa de serra (7).

O lado do calibre angular tem de ficar alinhado em todo o comprimento com o disco de serra (27).

### Ajustar (ver figura J2)

- Solte o parafuso (61). Desta forma pode ser deslocado o batente 0° (62).
- Solte a alavanca de bloqueio (17).
- Desloque a roda manual (18) contra o batente 0°, até o lado do calibre angular ficar alinhado no comprimento completo com o disco de serra.
- Segure a roda manual nesta posição e volte a apertar a alavanca de bloqueio (17).
- Reaperte o parafuso (61).

Se, após o ajuste, o indicador de ângulo (54) não estiver em linha com a marca de 0° da escala (55), soltar o parafuso (63) com uma chave de fenda em cruz convencional e alinhar o indicador de ângulo ao longo da marca de 0°.

Repita os passos de trabalho acima mencionados respetivamente para o ângulo de meia-esquadria vertical de

45° (soltar o parafuso (64); deslocar o batente 45° (65)). O indicador de ângulo (54) não pode ser deslocado de novo ao fazê-lo.

### Paralelismo do disco de serra em relação às ranhuras de guia da guia angular (ver figura K)

- Coloque a ferramenta elétrica na posição de trabalho.
- Retire a cobertura de proteção (6).

### Verificar

- Marque com um lápis o primeiro dente de serra esquerdo, que está visível atrás por cima do inserto de mesa.
- Ajuste o calibre angular para 90° e coloque-o na aresta da ranhura de guia (5).
- Desloque o lado do calibre angular, até o mesmo tocar no dente de serra marcado, e leia a distância entre o disco de serra e a ranhura de guia.
- Rode o disco de serra, até o dente marcado ficar à frente por cima do inserto de mesa.
- Deslocar o calibre angular ao longo da ranhura de guia até o dente marcado da serra.
- Medir novamente a distância entre o disco de serra e a ranhura de guia.

As duas distâncias medidas devem ser idênticas.

### Ajustar

- Solte os parafusos de sextavado interior (66) à frente por baixo da mesa de serra e os parafusos de sextavado interior (67) atrás por baixo da mesa de serra com a chave sextavada interior (22) fornecida.
- Mova lentamente o disco de serra, até o mesmo ficar paralelo à ranhura de guia (5).
- Reaperte todos os parafusos (66) e (67).

### Ajustar indicador de distância da mesa de serra (ver figura L)

- Posicionar a guia paralela no lado direito do disco de serra. Desloque a guia paralela, até a marcação na lupa (28) na escala inferior mostrar 26 cm. Para fixar, pressione o punho de aperto (41) outra vez para baixo.
- Puxe o punho de aperto (16) totalmente para cima e puxe o conjunto de extensão da mesa de serra (14) para fora até ao batente.

### Verificar

O indicador de distância (58) tem de mostrar na escala superior (2) o valor idêntico ao da marcação na lupa (28) da escala inferior (2).

### Ajustar

- Puxe o conjunto de extensão da mesa de serra (14) para fora até ao batente.
- Solte o parafuso (68) com uma chave de fenda em cruz e alinhe o indicador de distância (58) ao longo da marca de 26 cm da escala superior (2).

### Ajustar o paralelismo da guia paralela (ver figura M)

- Coloque a ferramenta elétrica na posição de trabalho.



- Retire a cobertura de proteção (6).
- Solte o punho de aperto (41) da guia paralela e desloque-o até o mesmo tocar no disco de serra.

#### Verificar

A guia paralela tem de tocar no disco de serra em todo o seu comprimento.

#### Ajustar

- Solte os parafusos de sextavado interior (69) com a chave sextavada interior (22) fornecida.
- Mova lentamente a guia paralela, até a mesma tocar no disco de serra em todo o seu comprimento.
- Mantenha a guia paralela nesta posição e pressione o punho de aperto (41) novamente para baixo.
- Volte a apertar os parafusos de sextavado interior (69).

#### Ajustar a força de aperto da guia paralela

A força de aperto da guia paralela pode ceder após utilização frequente.

- Aperte o parafuso de ajuste (25) até ser possível fixar novamente a guia paralela na mesa de serrar.

#### Ajustar a lupa do guia paralela (ver figura M)

- Coloque a ferramenta elétrica na posição de trabalho.
- Retire a cobertura de proteção (6).
- Desloque a guia paralela da direita até a mesma tocar no disco de serra.

#### Verificar

A marcação da lupa (28) tem de estar alinhada com a marca de 0 mm na escala (2).

#### Ajustar

- Solte o parafuso (70) com uma chave de fenda em cruz e alinhe a marcação ao longo da marca de 0 mm.

#### Ajustar o nível do inserto de mesa (ver figura N)

#### Verificar

A parte da frente do inserto de mesa (26) tem de ficar à face ou um pouco abaixo da mesa de serra, a parte de trás tem de estar à face ou um pouco acima da mesa de serra.

#### Ajustar

- Retire o inserto de mesa (26).
- Ajuste com a chave sextavada interior (22) o nível certo para os quatro parafusos de ajuste (71).

### Arrecadação e transporte

#### Guardar os elementos do aparelho (ver figuras O1 – O5)

A ferramenta elétrica permite fixar de forma segura determinados elementos do aparelho para os guardar.

- Solte a guia paralela adicional (43) da guia paralela.
- Coloque todas as peças soltas do aparelho nos respetivos depósitos de armazenamento na carcaça (ver a tabela seguinte).

Figura	Elemento do aparelho	Depósito de armazenamento
O1	Cobertura de proteção (6)	pendurar do entalhe do suporte (34) e apertar com a alavanca de aperto (39)

Figura	Elemento do aparelho	Depósito de armazenamento
O1	Bloqueio de contragolpes (9) (versão do país 3 601 M30 5C2)	Prima os botões de pressão (48) em conjunto e deixe engatar no furo do suporte (74)
O2	Conjunto de fixação "Guia paralela adicional" (44)	engatar nos suportes (72)
O2	Adaptador de aspiração (33)	inserir nos ganchos de suporte (73)
O3	Chave anular (23)	fixar com a porca de fixação (75) no depósito para os acessórios
O3	Pau para empurrar (24)	pendurar sobre a porca de fixação (75) e fixar através de deslocamento
O4	Guia paralela	virar ao contrário, engatar por baixo nas calhas de guia e fixar o punho de aperto (41)
O5	Chave sextavada interior (22) chave sextavada interior (21)	inserir nos suportes (76)
O5	Guia angular (3)	inserir nos ganchos de suporte (77)
O5	Guia paralela adicional (43)	inserir nos ganchos de suporte (31) (lado curto para cima; lado longo para trás)

#### Transportar a ferramenta elétrica

Antes de um transporte da ferramenta elétrica é necessário executar os seguintes passos:

- Coloque a ferramenta elétrica na posição de transporte.
  - Remover todos os acessórios que não estão montados firmemente na ferramenta elétrica.  
Se possível, os discos de serra não utilizados devem ser colocados dentro de um recipiente fechado durante o transporte.
  - Empurre o conjunto de extensão da mesa de serra (14) totalmente para dentro e pressione o punho de aperto (16) para baixo para o fixar.
  - Enrole o cabo de corrente elétrica no suporte para o cabo (30).
  - Use as pegas de transporte para levantar ou transportar (13).
- Ao transportar a ferramenta elétrica, utilizar apenas os dispositivos de transporte e nunca os dispositivos de proteção.

## Manutenção e assistência técnica

### Manutenção e limpeza

- ▶ **Antes de todos trabalhos na ferramenta elétrica deverá puxar a ficha de rede da tomada.**
- ▶ **Manter a ferramenta elétrica e as aberturas de ventilação sempre limpas, para trabalhar bem e de forma segura.**

Se for necessário instalar um cabo de ligação, a instalação deve ser feita pela **Bosch** ou por um centro de serviço autorizado para ferramentas elétricas **Bosch**, para evitar perigos de segurança.

#### Limpeza

Após cada etapa de trabalho deverá remover o pó e as aparas, soprando com ar comprimido ou limpando com um pincel.

#### Lubrificação da ferramenta elétrica



##### Lubrificante:

Óleo para motores SAE 10/SAE 20

- Se necessário, lubrifique a ferramenta elétrica com óleo nos locais indicados (ver

figura P).

Uma oficina de serviço pós-venda Bosch autorizada executa estes trabalhos de forma rápida e fiável.

- ▶ **Elimine os materiais de lubrificação e limpeza de forma ecológica. Respeite as disposições legais.**

#### Medidas para a redução de ruídos

Medidas tomadas pelo fabricante:

- Arranque suave
- Fornecimento com um disco de serra especialmente desenvolvido para a redução de ruídos

Medidas tomadas pelo utilizador:

- Montagem com poucas vibrações, sobre uma superfície de trabalho firme
- Utilização de discos de serra com funções redutoras de ruídos
- Limpeza regular do disco de serra e da ferramenta elétrica

#### Acessórios

	Número de produto
Saco do pó	2 610 015 511
Adaptador de aspiração	2 610 015 509
Adaptador Y TSVH 3	2 610 015 513
Guia angular	2 610 015 507
Pau para empurrar	2 610 015 022
Mesa de trabalho GTA 600	0 601 B22 001
<b>Discos de serra para madeira e contraplacados, painéis e ripas</b>	
Disco de serra 254 x 25,4 mm, 40 dentes	2 608 640 901

#### Número de produto

Disco de serra 254 x 25,4 mm, 60 dentes

2 608 640 902

### Serviço pós-venda e aconselhamento

O serviço pós-venda responde às suas perguntas a respeito de serviços de reparação e de manutenção do seu produto, assim como das peças sobressalentes. Desenhos explodidos e informações acerca das peças sobressalentes também em:

**www.bosch-pt.com**

A nossa equipa de consultores Bosch esclarece com prazer todas as suas dúvidas a respeito dos nossos produtos e acessórios.

Indique para todas as questões e encomendas de peças sobressalentes a referência de 10 dígitos de acordo com a placa de características do produto.

#### Brasil

Robert Bosch Ltda. – Divisão de Ferramentas Elétricas  
Rodovia Anhanguera, Km 98 - Parque Via Norte  
13065-900, CP 1195  
Campinas, São Paulo  
Tel.: 0800 7045 446  
[www.bosch.com.br/contato](http://www.bosch.com.br/contato)

#### Encontra outros endereços da assistência técnica em:

[www.bosch-pt.com/serviceaddresses](http://www.bosch-pt.com/serviceaddresses)

### Eliminação

Ferramentas elétricas, acessórios e embalagens devem ser enviados a uma reciclagem ecológica de matérias-primas.



Não deitar ferramentas elétricas no lixo doméstico!

## 中文

### 安全规章

#### 电动工具通用安全警告

**警告！** 阅读所有警告和所有说明！不遵照以下警告和说明会导致电击、着火和 / 或严重伤害。

**保存所有警告和说明书以备查阅。**

在所有下列的警告中术语“电动工具”指市电驱动（有线）电动工具或电池驱动（无线）电动工具。

#### 工作场地的安全

- ▶ **保持工作场地清洁和明亮。** 混乱和黑暗的场所会引发事故。

- ▶ 不要在易爆环境，如有易燃液体、气体或粉尘的环境下操作电动工具。电动工具产生的火花会点燃粉尘或气体。
- ▶ 让儿童和旁观者离开后操作电动工具。注意力不集中会使操作者失去对工具的控制。

#### 电气安全

- ▶ 电动工具插头必须与插座相配。绝不能以任何方式改装插头。需接地的电动工具不能使用任何转换插头。未经改装的插头和相配的插座将减少电击危险。
- ▶ 避免人体接触接地表面，如管道、散热片和冰箱。如果你身体接地会增加电击危险。
- ▶ 不得将电动工具暴露在雨中或潮湿环境中。水进入电动工具将增加电击危险。
- ▶ 不得滥用电线。绝不能用电线搬运、拉动电动工具或拔出其插头。使电线远离热源、油、锐边或运动部件。受损或缠绕的软线会增加电击危险。
- ▶ 当在户外使用电动工具时，使用适合户外使用的外接软线。适合户外使用的软线将减少电击危险。
- ▶ 如果在潮湿环境下操作电动工具是不可避免的，应使用剩余电流动作保护器（RCD）。使用RCD可减小电击危险。

#### 人身安全

- ▶ 保持警觉，当操作电动工具时关注所从事的操作并保持清醒。当你感到疲倦，或在有药物、酒精或治疗反应时，不要操作电动工具。在操作电动工具时瞬间的疏忽会导致严重人身伤害。
- ▶ 使用个人防护装置。始终佩戴护目镜。安全装置，诸如适当条件下使用防尘面具、防滑安全鞋、安全帽、听力防护等装置能减少人身伤害。
- ▶ 防止意外启动。确保开关在连接电源和/或电池盒、拿起或搬运工具时处于关断位置。手指放在已接通电源的开关上或开关处于接通时插入插头可能会导致危险。
- ▶ 在电动工具接通之前，拿掉所有调节钥匙或扳手。遗留在电动工具旋转零件上的扳手或钥匙会导致人身伤害。
- ▶ 手不要伸展得太长。时刻注意立足点和身体平衡。这样在意外情况下能很好地控制电动工具。
- ▶ 着装适当。不要穿宽松衣服或佩戴饰品。让衣服、手套和头发远离运动部件。宽松衣服、配饰或长发可能会卷入运动部件中。
- ▶ 如果提供了与排屑、集尘设备连接用的装置，要确保他们连接完好且使用得当。使用这些装置可减少尘屑引起的危险。
- ▶ 即使由于经常使用电动工具而对此非常熟悉，也不要就认为可以高枕无忧而忽略工具的安全规定。粗心大意的行为可能在瞬间就造成严重的伤害。

#### 电动工具使用和注意事项

- ▶ 不要滥用电动工具，根据用途使用适当的电动工具。选用适当设计的电动工具会使你工作更有效、更安全。

- ▶ 如果开关不能接通或关断工具电源，则不能使用该电动工具。不能用开关来控制的电动工具是危险的且必须进行修理。
- ▶ 在进行任何调节、更换附件或贮存电动工具之前，必须从电源上拔掉插头和/或使电池盒与工具脱开。这种防护性措施将减少工具意外起动的危险。
- ▶ 将闲置不用的电动工具贮存在儿童所及范围之外，并且不要让不熟悉电动工具或对这些说明不了解的人操作电动工具。电动工具在未经培训的用户手中是危险的。
- ▶ 保养电动工具。检查运动件是否调整到位或卡住，检查零件破损情况和影响电动工具运行的其他状况。如有损坏，电动工具应在使用前修理好。许多事故由维护不良的电动工具引发。
- ▶ 保持切削刀具锋利和清洁。保养良好的有锋利切削刃的刀具不易卡住而且容易控制。
- ▶ 按照使用说明书，考虑作业条件和进行的作业来使用电动工具、附件和工具的刀头等。将电动工具用于那些与其用途不符的操作可能会导致危险。
- ▶ 保持手柄和握持表面干燥、清洁、无油污。在突发情况下，滑溜的手柄和握持表面无法确保安全地握持和控制工具。

#### 维修

- ▶ 将你的电动工具送交专业维修人员，使用同样的备件进行修理。这样将确保所维修的电动工具的安全性。

#### 台锯安全说明

##### 防护罩警告

- ▶ 请装好防护罩。防护罩必须处于工作状态并正确安装。如果防护罩松开、损坏或工作不正常，必须修理或更换。
- ▶ 每次进行贯穿锯切时都必须使用锯片防护罩、劈板刀和防反弹装置。贯穿锯切即锯片贯穿加工件整个厚度进行锯切操作，使用防护罩和其他安全装置有助于降低人身伤害风险。
- ▶ 完成一些需要拆下防护罩、劈板刀和防反弹装置的操作后（如开槽、刨槽或再次锯切），应立即重新安装上这些安全防护系统。防护罩、劈板刀和防反弹装置有助于降低人身伤害风险。
- ▶ 在打开开关之前，切勿让锯片接触防护罩、劈板刀或加工件。如果不小心让锯片接触这些部件，将导致危险。
- ▶ 根据指导手册中的说明，调整锯尾刀。如果分隔、放置或对齐不正确，锯尾刀降低弹回几率的效果将丧失。
- ▶ 锯尾刀和防反弹装置只有契合加工件才能发挥作用。如果加工件太短，使得锯尾刀和防反弹装置无法与其契合，则锯尾刀和防反弹装置无效。此时锯尾刀防反弹装置无法防止弹回。
- ▶ 为锯尾刀选用合适的锯片。为了让锯尾刀正常生效，锯片直径必须与相应锯尾刀匹配，锯片主体必须比锯尾刀薄，锯片锯切宽度必须大于锯尾刀厚度。

### 锯切过程警告

- ▶ **⚠ 危险：**切勿将手指或整个手放在锯片周围或与锯片在同一直线上。稍有疏忽或滑动即会让您的手朝着锯片前进，从而导致严重的人身伤害。
- ▶ **只能逆旋转方向将加工件送入锯片。**如果送入加工件的方向与在台面上方旋转的锯片的旋转方向相同，可能会导致加工件以及您的手卷入锯片。
- ▶ **纵锯时，切勿使用斜榫规送入加工件；使用斜榫规进行横截时，切勿使用纵锯挡作为纵向挡块。**同时使用纵锯挡和斜榫规引导加工件的前进方向会增加锯片卡滞和弹回的几率。
- ▶ **纵锯时，必须在挡块和锯片之间施加加工件给给力。**如果挡块和刀片之间的距离小于150 mm，则使用推杆，如果该距离小于50 mm，则使用推块。“工作辅助”装置将使您的手与锯片保持安全距离。
- ▶ **只能使用制造商提供的推杆或按照说明书制作的推杆。**推杆使手和锯片保持足够距离。
- ▶ **切勿使用损坏或切断的推杆。**损坏的推杆可能断裂，导致您的手滑入锯片。
- ▶ **切勿“徒手”进行任何操作。**必须使用纵锯挡或斜榫规定位、引导加工件。“徒手”的意思是用手代替纵锯挡或斜榫规来支撑或引导加工件。徒手锯切操作会导致偏移、卡滞或弹回。
- ▶ **切勿接近正在旋转的锯片的上方或周围。**接近加工件可能导致意外地接触正在转动的锯片。
- ▶ **对于较长和/或较宽的加工件，要在锯台附近和/或两侧使用辅助加工件支撑装置进行支撑，使其保持水平。**较长和/或较宽的加工件有绕着台面边缘旋转的趋势，导致失控、锯片卡滞以及弹回。
- ▶ **应以平稳的速度送入加工件。不得弯折、扭转加工件。**如果卡住，立即关断电源，拔出刀具，清理卡住的地方。加工件卡住锯片会导致弹回或电机停转。
- ▶ **锯片仍在旋转时切勿清理锯切废料。**废料可能卡在挡块和锯片防护罩之间或之中，锯片会将您的手指卷入。应先关闭电锯，等待锯片停转，然后进行清理。
- ▶ **纵锯厚度小于2 mm的加工件时，应使用与台面接触的辅助挡块。**薄加工件可能会卡在纵锯挡下面，造成弹回。

### 弹回原因和相关警告

弹回是加工件在锯片卡住、加工件中的锯切线偏离锯片方向或加工件的一部分卡在锯片和纵锯挡或其他固定物中间时，加工件出现的突然反应。

弹回时最常见的情况是，锯片的后部将加工件从台面上抬起，推向操作员一端。

弹回是锯子不正当使用和/或操作流程或条件不正确的结果，可通过采取以下预防措施来避免。

- ▶ **站立时切勿与锯片成直线。**身体和挡块要位于锯片的同一侧。弹回会以极高速度将加工件推向站在锯片前方、与锯片呈直线排列的人。
- ▶ **切勿从锯片上方或后方拉动或支撑加工件。**这可能造成意外接触加工件，或者因弹回而将您的手指卷入锯片。

- ▶ **切勿顶住旋转刀片扶持或按压正在锯切的加工件。**顶住旋转刀片按压正在锯切的加工件将造成卡滞或弹回。
- ▶ **对齐挡块，使其与锯片平行。**未对齐的挡块会将加工件挤向锯片，引起弹回。
- ▶ **在进行非贯穿锯切时，如开槽、刨槽或再锯切，使用薄边板令加工件沿着台面和挡块运动。**薄边板在发生弹回时有助于控制加工件。
- ▶ **支撑大型板材，以降低锯片夹住和回弹的风险。**大的板材会因自重而下垂。面板悬伸在台面外的所有部位都要进行支撑。
- ▶ **锯切有扭转、节疤、弯曲或边缘不直的加工件时要格外小心，要用斜榫规和挡块对准方向。**有扭转、节疤、弯曲的加工件不稳定，会导致切口与锯片不对齐、卡滞或弹回。
- ▶ **切勿锯切垂直或水平堆放的多件加工件。**锯片可能带动一件或多件加工件引起弹回。
- ▶ **如果在锯片留在加工件中时重新启动电锯，锯片应位于切口中央，以免锯齿卡入材料。**如果锯片卡滞，再重新启动电锯时可能会带动加工件，引起弹回。
- ▶ **锯片应保持清洁、锋利、充分调整。**切勿使用弯曲的锯片或锯齿损伤的锯片。锋利而正确调整的锯片会降低卡滞、停转和弹回的风险。

### 台锯操作过程警告

- ▶ **当取出台面插件、更换锯片、调整锯尾刀、防反弹装置或锯片护罩以及机器无人看守时，要关闭台锯并切断电源。**采取预防措施可防止发生意外。
- ▶ **台锯运转时切不可无人看管。关断台锯，待其彻底停止才可离开。**无人看管的运转台锯存在不可控危险。
- ▶ **台锯应放在照明良好的水平区域，用户应能平衡舒适地站立。**安装区域应有足够空间，以便轻松操作各种大小的加工件。局促、阴暗的区域和湿滑不平的地面会引发意外事故。
- ▶ **应经常清理锯台下方和/或废料收集装置中的锯屑。**堆积在一起的锯屑是易燃物，有可能自燃。
- ▶ **台锯必须安全固定。**未安全固定的台锯有可能移动或倾翻。
- ▶ **打开台锯之前应从台面上取走各种工具、木料。**分心以及可能发生的卡夹都存在危险。
- ▶ **始终使用轴孔尺寸和形状（菱形/圆形）正确的锯片。**与台锯的安装硬件不匹配的锯片会偏离中心，造成失控。
- ▶ **切勿使用损坏的或不合适的锯片安装零件，如法兰、锯片垫片、螺栓或螺母。**这些安装零件是为确保电锯安全运行和最优性能而专门设计。
- ▶ **切勿站立在台锯上，切勿将其作为踏凳。**如果工具倾翻或意外接触到锯切工具，可能导致严重人身伤害。
- ▶ **确保正确安装锯片，使其按照正确方向旋转。**切勿对台锯使用砂轮、钢丝刷或磨轮。刀片安装不当或使用不建议使用的附件可能导致严重人身伤害。

## 其他安全规章

- ▶ 安装锯片时务必穿戴防护手套。有受伤的危险。
- ▶ 不要使用高速钢锯片。此类锯片容易折断。
- ▶ 只允许使用符合本使用说明书中和电动工具上给出的特性数据，并通过EN 847-1标准认证且有相应认证标识的锯片。
- ▶ 请勿在没有台板的情况下使用电动工具。请更换损坏的台板。如果没有完好的台板，您可能会被锯片割伤。
- ▶ 工作场地应保持清洁。材料混合特别危险。轻金属粉尘可能会起火燃烧或爆炸。
- ▶ 请为希望加工的材料选择合适的锯片。
- ▶ 只能使用由本电动工具制造商所推荐的锯片，以及适合加工物料的锯片。
- ▶ 仅当锯片运转时，才能将工件向其迎去。否则如果锯片卡在工件中，会有反弹的危险。

## 符号

以下符号可以帮助您正确地使用本电动工具。请牢记各符号和它们的代表意思。正确了解各符号的代表意思，可以帮助您更有把握更安全地操作本电动工具。

### 符号和它们的代表意义



当电动工具运转时，切勿把手放在锯切范围内。如果手碰触到锯片，有受伤危险。



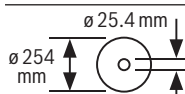
请佩戴防尘面具。



请佩戴耳罩。工作噪音会损坏听力。

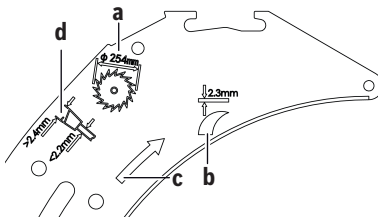


请佩戴护目镜。



请留心锯片的尺寸。锯片上的孔径必须和工具主轴完全吻合，不能有空隙。如需使用缩径套，应注意根据锯片厚度、锯片孔径以及工具主轴直径来调整缩径套的尺寸。尽可能使用与锯片配套的缩径套。锯片直径必须与图标上的说明一致。

### 符号和它们的代表意义

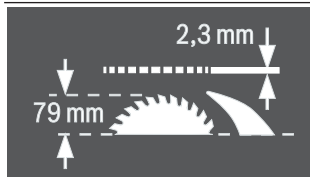


a 允许的最大锯片直径为254毫米。

b 劈开楔的厚度为2.3毫米。

c 锯齿的锯切方向（锯片上的箭头方向）必须和劈开楔上的箭头方向一致。

d 更换锯片时，请确保切割宽度不小于2.4毫米，锯片主体的厚度不大于2.2毫米。否则劈开楔（毫米）可能卡在工件中。



劈开楔的厚度为2.3毫米。

工件的最大许可高度为79毫米。

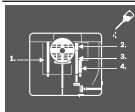


左侧：

显示手柄降低锯片（运输位置）时的旋转方向和升高锯片（工作位置）时的旋转方向。

右侧：

显示用来固定锯片和调整垂直斜切角度（可翻转锯片）的锁定杆的位置。



视需要润滑电动工具，请在指示的位置添加润滑油。



防护等级为II的电动工具已加强绝缘或双重绝缘。



产品带有CE标志，表明制造商确认该电动工具符合适用的欧盟指令。



## 产品和性能说明



请阅读所有安全规章和指示。不遵照以下警告和说明可能导致电击、着火和/或严重伤害。

请注意本使用说明书开头部分的图示。

### 按照规定使用

本电动工具适合以站立的方式在软木和硬木、刨花板和纤维板上进行纵向和横向的直线锯割。水平斜切角度的范围为 $-60^{\circ}$ 至 $+60^{\circ}$ ，垂直斜切角度的范围为 $-2^{\circ}$ 至 $47^{\circ}$ 。

使用相应的锯片也可以锯切铝制型材和塑料。

### 插图上的机件

机件的编号和电动工具详解图上的编号一致。

- (1) 平行限制器导槽
- (2) 用于测量锯片至平行限制器距离的刻度尺
- (3) 角度挡块
- (4) 握柄槽
- (5) 针对角度挡块的导槽
- (6) 保护盖
- (7) 锯台
- (8) 劈开楔
- (9) 反弹锁<sup>a)</sup>
- (10) 平行限制器
- (11) 锯台上用于平行限制器的V型导槽
- (12) 安装孔
- (13) 提柄
- (14) 锯台扩展件
- (15) 针对工作台GTA 600的固定夹圈
- (16) 锯台扩展件夹紧手柄
- (17) 锁定杆，用来调整垂直方向的斜切角度
- (18) 手轮
- (19) 用来升高和降低锯片的手柄
- (20) 电源开关安全挡板
- (21) 内六角扳手（2毫米）
- (22) 内六角扳手（5毫米）
- (23) 环形扳手（23毫米）
- (24) 推棒
- (25) 平行限制器张力调整螺栓
- (26) 锯台插入件
- (27) 锯片
- (28) 放大镜
- (29) 型材挡轨
- (30) 电线支架
- (31) 用于存储辅助平行限制器的固定夹
- (32) 出屑口
- (33) 吸尘适配器
- (34) 用于存储保护盖的支架
- (35) 劈开楔夹紧杆
- (36) 劈开楔内六角螺栓<sup>a)</sup>
- (37) 劈开楔定位销
- (38) 锯台插入件凹槽
- (39) 保护盖夹紧杆
- (40) 保护盖导向螺栓
- (41) 平行限制器的拧紧柄
- (42) 平行限制器的V型导向件
- (43) 辅助平行限制器
- (44) “辅助平行限制器”固定套件
- (45) 角度挡块的导轨
- (46) “型材挡轨”固定套件
- (47) 出屑口的固定螺栓
- (48) 用于抽回反弹锁导向螺栓的按钮<sup>a)</sup>
- (49) 夹紧螺母
- (50) 主轴制动杆
- (51) 夹紧法兰
- (52) 主轴
- (53) 固定法兰
- (54) 角度指示器（垂直）
- (55) 斜切角度刻度尺（垂直）
- (56) 任意斜切角度的固定旋钮（水平）
- (57) 角度挡块上的角度指示器
- (58) 锯台上的距离指示器
- (59) 起动开关
- (60) 针对型材挡轨的滚轮螺母
- (61) 用于调整0度挡块的十字螺栓
- (62) 0度斜切角度的挡块（垂直）
- (63) 角度指示器螺栓（垂直）
- (64) 用于调整45度挡块的十字螺栓
- (65) 45度斜切角度的挡块（垂直）
- (66) 前部内六角螺栓（5毫米），用于调整锯片的平行度
- (67) 后部内六角螺栓（5毫米），用于调整锯片的平行度
- (68) 螺丝，针对锯台上的距离指示器
- (69) 内六角螺栓（5毫米），用于调整平行限制器的平行度
- (70) 平行限制器距离指示器螺栓
- (71) 锯台插入件调整螺栓
- (72) 用于存储“辅助平行限制器”固定套件的支架
- (73) 用于存储吸尘适配器的固定夹
- (74) 用于存储反弹锁的支架<sup>a)</sup>
- (75) 固定环形扳手的螺母，也可以拿来悬挂推棒
- (76) 用于存储内六角扳手的支架
- (77) 用于存储角度挡块的固定夹

a) 国家版本 3 601 M30 5C2



## 技术参数

台式圆锯		GTS 10 J	GTS 10 J
物品代码		<b>3 601 M30 5..</b>	<b>3 601 M30 5C2</b>
额定输入功率	瓦	1800	1700
额定电压	伏特	220-240	120
频率	赫兹	50/60	60
空载转速	转/分钟	3650	3700
起动电流限制		●	●
重量符合EPTA- Procedure 01:2014	公斤	26.2	26.2
保护等级		□/II	□/II
尺寸 (包括可拆卸的机件)			
宽度 x 深度 x 高度	毫米	640 x 706 x 330	640 x 706 x 330
<b>合适锯片的尺寸</b>			
锯片直径	毫米	254	254
锯片主体的厚度	毫米	< 2.2	< 2.2
最小锯齿厚度/锯齿斜度	毫米	> 2.4	> 2.4
固定孔直径	毫米	25.4	25.4

最大工件尺寸：(参见“最大工件尺寸”，页 65)

所有参数适用于230伏的额定电压[U]，对于其他不同的电压和国际规格，数据有可能不同。

有的零件都必须安装正确，并且符合规定以确保机器的正常功能。  
损坏的防护装置和零件必须按照规定交给合格的专业修理厂修理或更换。

## 安装

- ▶ 避免意外启动电动工具。安装锯片时或在电动工具上所有工作时，电源插头都不允许连接电源。

### 供货范围

电动工具初次投入运行前请检查下列零件是否均配套提供：

- 安装了锯片(27)和劈开楔(8)的台式圆锯
- 角度挡块(3)
- 型材挡轨(29)
- 型材挡轨固定套件(46) (导板、滚花螺母、螺栓、垫片)
- 平行限制器
- 附加平行限制器(43)
- 附加平行限制器固定套件(44) (3个固定螺栓、3个垫片、3个翼形螺母)
- 保护盖(6)
- 反弹锁(9) (国家版本 3 601 M30 5C2 )
- 内六角扳手(22)
- 内六角扳手(21)
- 环形扳手(23)
- 推棒(24)
- 锯台插入件(26)
- 吸尘适配接头(33)

**提示：**检查电动工具是否有损坏之处。

使用电动工具之前，必须详细检查防护装置或轻微损坏的零件是否仍然运作正常。检查活动性零件是否功能正常不会被夹住，以及该零件有否受损。所

### 安装各部件

- 小心地从包装中取出所有的供货物品。
- 拆除电动工具和附带附件上的所有包装材料。
- 注意，必须拆除马达缸体下方的包装材料。直接在壳体上固定以下机件：推棒(24)、环形扳手(23)、内六角扳手(22)和(21)、平行限制器(10)、角度挡块(3)、吸尘适配器(33)、带固定套件(44)的辅助平行限制器(43)、保护盖(6)。
- 如果您需要其中的某个机件，请将其小心地从储存槽中取出。

#### 定位劈开楔 (参见插图a1-a2)

**提示：**必要的话，在定位之前清洁所有的零部件。

- 将手柄(19)顺时针旋转到限位，使锯片(27)处于锯台上方最高位置。
- 松开夹紧杆(35)。  
或  
国家版本 3 601 M30 5C2：用内六角扳手(22)松开内六角螺栓(36)。
- 将劈开楔(8)朝夹紧杆(35)方向推动，直至可以朝上拉伸。
- 将劈开楔向上拉到顶，使其精确定位在锯片中央。
- 将两个销钉(37)卡入劈开楔的下部孔中，然后再拧紧夹紧杆(35)或内六角螺栓(36)。

#### 安装锯台插入件 (参见插图b)

- 将锯台插入件(26)钩入工具槽的后部凹槽(38)中。
- 向下引导锯台插入件。

– 按压锯台插入件，直至前部卡入工具槽。

锯台插入件(26)的正面必须与锯台齐平或略微低于锯台，背面必须与锯台齐平或略微高于锯台。

### 安装保护盖 (参见插图c1-c2)

**提示：**只有当劈开楔精确位于锯片中心上方最高处位置时，才可以安装保护盖 (参见插图a2)。如果劈开楔位于最下方位置 (交付状态或锯切凹槽的位置)，则不可以安装保护盖 (参见插图a1)。

– 松开夹紧杆(39)，然后将保护盖(6)从支架(34)中取出。

– 用手握住保护盖(6)的锯片保护装置 (上方金属导轨)，用另一只手将夹紧杆(39)向上移动。

– 将导向螺栓(40)向后推入劈开楔(8)的凹槽中。

– 向下移动保护盖(6)，直至锯片保护装置 (上方金属导轨)与锯台(7)表面平行。

– 向下按压夹紧杆(39)。必须听到夹紧杆卡入的声音，确保保护盖(6)已牢牢安装好。

▶ **每次使用前，请检查保护盖是否顺畅移动。如果保护盖无法自由移动或无法立即关闭，请勿使用电动工具。**

### 安装平行限制器 (参见插图d)

平行限制器(10)可以定位在锯片的左侧或右侧。

– 松开平行限制器(10)的夹紧手柄(41)。从而卡住V型导向件(42)。

– 首先将带V型导向件的平行限制器放入锯台的导槽(11)。然后将平行限制器定位到锯台的前部导槽(1)中。

现在您可以随心所欲地移动平行限制器。

– 如需固定平行限制器，请将夹紧手柄(41)向下按压。

### 安装辅助平行限制器 (参见插图e)

锯切狭长工件和垂直斜切角度时，必须将辅助平行限制器(43)安装到辅助平行限制器(10)上。

视需求而定，辅助平行限制器可以安装在平行限制器(10)的左侧或右侧。

安装时，请使用“辅助平行限制器”固定套件(44) (2个固定螺栓、2个垫圈、2个翼形螺母)。

– 将固定螺栓穿过平行限制器(10)上的侧孔。

– 此时螺栓头可以充当平行限制器附件的导引。

– 将辅助平行限制器(43)推到固定螺栓头上方。

– 将垫圈放到固定螺栓上，然后借助翼形螺母拧紧螺栓。

### 安装角度挡块 (参见插图f1-f2)

– 将角度挡块(3)的导轨(45)装入规定的锯台导槽(5)中。

可以通过型材挡轨(29)加宽角度挡块，以便更好地紧靠长工件。

– 必要时，可借助固定套件(46)将型材挡轨安装到角度挡块上。

### 抽吸粉尘/切屑

含铅的颜料以及某些木材、矿物和金属的加工粉尘有害健康。机器操作者或者工地附近的人如果接触、吸入这些粉尘，可能会有过敏反应或者感染呼

吸道疾病。

某些尘埃 (例如加工橡木或山毛榉的粉尘) 可能致癌，特别是和处理木材的添加剂 (例如木材的防腐剂等) 结合之后。只有经过专业培训的人才能够加工含石棉的物料。

– 尽可能使用适合物料的吸尘装置。

– 工作场所要保持空气流通。

– 最好佩戴P2滤网等级的口罩。

请留心并遵守贵国和加工物料有关的法规。

尘/屑收集装置可能因为粉尘、废屑或工件的残屑而造成堵塞。

– 关闭电动工具，并且从插座中拔出插头。

– 静候让锯片完全停止转动。

– 找出造成阻塞的原因，并且排除障碍。

▶ **避免让工作场所堆积过多的尘埃。**尘埃容易被点燃。

▶ **为避免锯切金属铝时发生火灾，请清空出屑口且不要使用锯屑抽吸装置。**

### 清空出屑口 (参见插图g)

可以清空出屑口(32)来清除工件碎屑和大切屑。

– 关闭电动工具，并且从插座中拔出插头。

– 静候让锯片完全停止转动。

– 将固定螺栓(47)用内六角扳手(22)松开。

– 拉出出屑口(32)，清除工件碎屑和切屑。

– 再度将出屑口安装在电动工具上。

### 外部抽吸装置 (参见插图h)

使用配套的吸尘适配器(33)，以便将吸尘器与出屑口(32)连接到一起。

– 将吸尘适配器(33)和吸尘器软管牢牢插到一起。

根据工件的物料选择合适的集尘装置。

抽吸可能危害健康、可能导致癌症或干燥的粉尘时，务必使用特殊的集尘装置。

### 固定或活动的安装方式

▶ **为了能够稳定地操作机器，正式使用之前，必须将电动工具固定在平坦、稳固的工作平面上 (例如工作台)。**

#### 安装在工作面上 (参见插图i)

– 使用合适的螺栓连接将电动工具固定在工作面上。为此需要钻孔(12)。

#### 安装在博世工作台上 (参见插图j)

博世工作台 (GTA 600) 有可调整高度的桌脚，使电动工具能够站立在任何底面上。

▶ **阅读工作台附带的所有警告提示和说明。**如果不遵守警告提示和说明，可能会导致触电、火灾和/或严重受伤的后果。

▶ **安装电动工具之前必须先正确地组装工作台。**正确组装工作台非常重要，这样可以避免工作台倒塌。

– 将电动工具以运输位置安装在工作台上。

## 更换锯片（参见插图k1-k4）

- ▶ 在电动工具上进行所有操作之前都必须从插座上拔出电源插头。
- ▶ 安装锯片时务必穿戴防护手套。有受伤的危险。
- ▶ 所使用的锯片的最高许可转速必须高于电动工具的无负载转速。
- ▶ 只允许使用符合本使用说明书中和电动工具上给出的特性数据，并通过EN 847-1标准认证且有相应认证标识的锯片。
- ▶ 只能使用由本电动工具制造商所推荐的锯片，以及适合加工物料的锯片。
- ▶ 不要使用高速钢锯片。此类锯片容易折断。

## 拆卸锯片

- 将手柄(19)顺时针旋转到限位，使锯片(27)处于锯台上方最高位置。
- 打开夹紧杆(39)，将保护盖(6)从劈开楔(8)的凹槽中拉出。
- 对于国家版本 3 601 M30 5C2，还需要执行的操作：  
将按钮(48)压到一起，然后将反弹锁(9)从劈开楔(8)的孔中拉出。
- 用螺丝起子机抬起锯台插入件(26)前部，然后将其从工具槽中取出。
- 用环形扳手(23)转动夹紧螺母(49)，同时拉动主轴制动杆(50)，直至卡止。
- 继续拉住制动杆，并朝着反时钟的转向拧出夹紧螺母。
- 取下夹紧法兰(51)。
- 取下锯片(27)。

## 安装锯片

必要的话，在安装之前清洁所有的零部件。

- 将新锯片放到工具主轴(52)的固定法兰(53)上。
- 提示：**请勿使用过小的锯片。锯片和劈开楔之间的径向间隙不得超过3 - 8毫米。
- ▶ **安装时请注意，锯齿的锯切方向（锯片上的箭头方向）必须和劈开楔上的箭头方向一致！**
- 装上夹紧法兰(51)和夹紧螺母(49)。
- 用环形扳手(23)转动夹紧螺母(49)，同时拉动主轴制动杆(50)，直至卡止。
- 顺着时钟的转向拧紧夹紧螺母。
- 再次装入锯台插入件(26)。
- 再次安装保护盖(6)。
- 对于国家版本 3 601 M30 5C2，还需要执行的操作：  
再次装上反弹锁(9)。

## 运行

- ▶ 在电动工具上进行所有操作之前都必须从插座上拔出电源插头。

## 锯片的运输位置和工作位置

### 运输位置

- 移除保护盖(6)和锯台插入件(26)，将劈开楔(8)定位到底部位置。再次装入锯台插入件(26)。
- 将手柄(19)逆时针转动，直至锯片(27)的锯齿处于锯台(7)下方。
- 将锯台扩展件(14)向内推到底。  
向下按压夹紧手柄(16)。由此固定好锯台扩展件。

### 工作位置

- 将劈开楔(8)精确定位到锯片中心的最上方位置，然后装入锯台插入件(26)并安装保护盖(6)。
- 将手柄(19)顺时针转动，直至锯片(27)的上部锯齿处于工件上方约3 - 6毫米的位置。

## 设置垂直和水平斜切角度

为了确保精确的锯切，在频繁使用之后必须检查电动工具的基本设定，必要时进行适度调整。

### 设置垂直斜切角度（锯片）（参见插图A）

垂直斜切角度的调整范围为-2°至47°。

- 逆时针松开锁定杆(17)。
- 提示：**完全松开锁定杆时，锯片因重力倾斜到约30度的位置。
- 沿着连杆拉动或按压手轮(18)，直至角度指示器(54)显示所需的垂直斜切角度。
- 让手轮保持在这个位置，并重新拧紧锁定杆(17)。

出厂时已设置好的限位挡块((62), (65))用于快速精确地设定垂直标准角度0度和45度。

### 设置水平斜切角度（角度挡块）（参见插图B）

水平斜切角度的调整范围可在60°（左侧）至60°（右侧）之间调整。

- 如果固定旋钮(56)被拧紧了，请先松开。
- 转动角度挡块，直至角度指示器(57)显示所需的斜切角度。
- 再次拧紧固定旋钮(56)。

## 加大锯台

如果工件又长又重，必须在它悬空的末端放上衬垫或做好支撑。

### 锯台扩展件（参见插图C）

锯台扩展件(14)可将锯台(7)向右最多扩展625毫米。

- 将锯台扩展件的夹紧手柄(16)向上拉到顶。
- 向外拉动锯台扩展件(14)，直至达到所需的长度。
- 向下按压夹紧手柄(16)。由此固定好锯台扩展件。

## 调整平行限制器

平行限制器可以定位在锯片的左侧（黑色刻度）或右侧（银色刻度）。放大镜(28)中的标记表示刻度

尺(2)上平行限制器至锯片的设定距离。  
将平行限制器定位至所需的锯片侧面。

#### 在锯台未拉出时 调整平行限制器

- 松开平行限制器的夹紧手柄(41)。移动平行限制器，直至放大镜(28)中的标记显示至锯片的所需距离。  
锯台未拉出时，适用银色刻度尺(2)的下部标记。
- 固定时，请再次向下按压夹紧手柄(41)。

#### 在锯台拉出时 调整平行限制器（参见插图D）

- 把平行限制器放在锯片的右侧。  
移动平行限制器，直至放大镜(28)中的标记在下方刻度尺上显示26厘米。  
固定时，请再次向下按压夹紧手柄(41)。
- 将锯台扩展件的夹紧手柄(16)向上拉到顶。
- 向外拉动锯台扩展件(14)，直至距离指示器(58)在上方刻度尺上显示至锯片的所需距离。
- 向下按压夹紧手柄(16)。  
由此固定好锯台扩展件。

#### 设置辅助平行限制器（参见插图E）

锯切狭长工件和垂直斜切角度时，必须将辅助平行限制器(43)安装到平行限制器上。

视需求而定，辅助平行限制器可以安装在平行限制器的左侧或右侧。

锯割时工件可能卡在平行限制器和锯片之间，上升中的锯片会钩住该工件并将它向外抛开。

因此要调整好平行限制器的附件，得让导引的尽头位在锯片最前端的锯齿和劈开楔的前缘之间。

- 为此，松开固定套件(44)的所有翼形螺母并移动辅助平行限制器，直至仅两个前部螺栓用于固定。
- 再度拧紧翼形螺母。

#### 调整劈开楔

劈开楔(8)可以防止锯片(27)卡在锯缝中。如果锯片被夹在工件中可能产生反弹。

因此要随时注意，是否已经正确地调整好劈开楔：

- 锯片和劈开楔之间的径向间隙不得超过3 - 8毫米。
- 劈开楔的厚度必须小于锯缝的宽度，并且大于锯片主体的厚度。
- 劈开楔必须总是和锯片位在同一直线上。
- 就一般的分割线而言，劈开楔必须尽可能地位在最高的位置。

#### 设置劈开楔的高度（参见插图F）

割凹槽时必须调整劈开楔的高度。

- ▶ 仅可在装备相应保护装置（比如通道保护罩、推力环）的情况下使用电动工具来开槽或翻边。
- 打开夹紧杆(39)，将保护盖(6)从劈开楔(8)的凹槽中拉出。  
为避免保护罩损坏，请将其存放至规定的壳体支架(34)上（另见图片O1）。

- 对于国家版本 3 601 M30 5C2，还需要执行的操作：  
将按钮(48)压到一起，然后将反弹锁(9)从劈开楔(8)的孔中拉出。  
为妥善存放反弹锁，请将其固定到规定的壳体支架(74)上（另见图片O1）。
- 将手柄(19)顺时针旋转到限位，使锯片(27)处于锯台上方最高位置。
- 松开夹紧杆(35)。  
或  
国家版本 3 601 M30 5C2：用内六角扳手(22)松开内六角螺栓(36)。
- 将劈开楔从销钉(37)上拉开（略微向外拉动夹紧杆(35)），然后向下移动劈开楔(8)，直至限位。
- 将两个销钉(37)卡入劈开楔的上部孔中，然后再拧紧夹紧杆(35)。

#### 投入使用

- ▶ **注意电源电压！** 电源的电压必须和电动工具铭牌上标示的电压一致。

#### 接通（参见插图G1）

- 向上翻起安全挡板(20)。
- 调试时，请按压绿色的起动开关(59)。
- 再次落下安全挡板(20)。

#### 关闭（参见插图G2）

- 按压安全挡板(20)。

#### 停电

本机器的起停开关是所谓的零位开关。它可以防止电动工具在停电之后（例如在操作中中途拔出电源插头）自行起动。

为了此后再次使用电动工具，必须重新按压绿色的起动开关(59)。

#### 工作提示

##### 一般性的锯切提示

- ▶ 进行任何锯割之前必须先确定锯片绝对不会碰触挡块或其它的机件。
- ▶ 仅可在装备相应保护装置（比如通道保护罩、推力环）的情况下使用电动工具来开槽或翻边。
- ▶ 不得将本电动工具用于开槽（末端在工件内的槽）。

保护锯片免受冲撞和敲击。不可以侧压锯片。  
劈开楔必须和锯片位在同一直线上，以预防工件被夹住。

不可以加工变形的工件。为了能够紧靠在平行限制器上，工件至少必须具备一道笔直的边缘。

推棒要存放在电动工具上。

##### 操作者的位置（参见插图H）

- ▶ 不要站成与锯片在一直线上。站在靠棚所在的锯片侧。回弹可能将工件高速推向站在锯片前面与其成一条直线的任何人。
- 手掌、手指和手臂必须远离转动中的锯片。

请注意以下各指示：

- 使用双手握好工件并将工件牢牢地压在锯台上。

- 锯切狭长工件和垂直斜切角度时，应始终使用配套的回棒(24)和辅助平行限制器(43)。

#### 最大工件尺寸

垂直斜切角度	最大工件高度 [毫米]
0度	79
45度	56

## 锯切

### 锯割直线

- 将平行限制器 调整到所需的切割宽度。
- 将工件放到锯台的保护盖(6)前部。
- 通过手柄(19)尽可能地升高或降低锯片，直至锯片(27)的上部锯齿处于工件上方约3 - 6毫米的位置。
- 接通电动工具的电源。
- 施力均匀地锯切工件。  
如果施力过大，则锯片尖可能过热，工件可能会损坏。
- 关闭电动工具并等待，直至锯片完全停止转动。

### 锯割垂直方向的斜切角度

- 请设置所需的锯片垂直斜切角度。  
锯片向左倾斜时，平行限制器 必须位于锯片的右侧。
- 遵循相应的工作步骤：(参见“锯割直线”，页 65)

### 锯切水平斜切角度 (参见插图I)

- 请通过角度挡块(3)设置所需的水平斜切角度。
- 将工件放到型材挡轨(29)上。  
型材不可以放在锯线上。这种情况下，请松开滚花螺母(60)并移动型材挡轨。
- 通过手柄(19)尽可能地升高或降低锯片，直至锯片(27)的上部锯齿处于工件上方约3 - 6毫米的位置。
- 接通电动工具的电源。
- 用一只手对着型材挡轨(29)按压工件，再用另一只手通过固定旋钮(56)缓慢地在导槽(5)中向前移动角度挡块。
- 关闭电动工具并等待，直至锯片完全停止转动。

## 检查和调整基本设定

为了确保精确的锯切，在频繁使用之后必须检查电动工具的基本设定，必要时进行适度调整。检查时不仅要有足够的经验，而且还要使用特殊工具。  
博世的客户服务中心能够快速可靠地执行这项工作。

### 调整垂直标准斜切角度0度/45度的挡块

- 将电动工具调整在工作位置上。
- 请设置锯片的0度垂直斜切角度。
- 拆下保护盖(6)。

### 检查 (参见插图J1)

- 将角规调整到90度并将其放到锯台(7)上。  
角规的支脚必须与锯片(27)在整个长度上齐平。

### 调整 (参见插图J2)

- 松开螺栓(61)。从而可以移动0度挡块(62)。
- 松开锁定杆(17)。
- 对着0度挡块推动手轮(18)，直至角规的支脚和锯片在整个长度上齐平。
- 让手轮保持在这个位置，并重新拧紧锁定杆(17)。
- 重新拧紧螺栓(61)。

如果角度指示器(54)在调整后未指向刻度尺(55)的0度标记线，请用市售十字螺丝刀松开螺栓(63)，并沿着0度标记校准角度指示器。

对于45度的垂直斜切角度，请相应地执行上述工作步骤（松开螺栓(64)；移动45度挡块(65)）。同时不得再次调整角度指示器(54)。

### 锯片与角度挡块导槽的平行度 (参见插图K)

- 将电动工具调整在工作位置上。
- 移除保护盖(6)。

### 检查

- 用铅笔标出锯台插入件上方后部可看到的第一个左锯齿。
- 将角规调整到90度，并将其放到导槽(5)的边缘上。
- 移动角规的支脚，直至触碰到标记的锯齿，然后读取锯片和导槽之间的距离。
- 转动锯片，直至标记的前部锯齿位于锯台插入件上方。
- 沿着导槽移动角规，并将它移动到被做上记号的锯齿上。
- 再度测量锯片和导槽之间的距离。

这两个测量值必须相同。

### 调整

- 用配套的内六角扳手(22)松开锯台下方的前部内六角螺栓(66)和锯台下方的后部内六角螺栓(67)。
- 小心地移动锯片，直至与导槽(5)平行。
- 重新拧紧所有螺栓(66)和(67)。

### 距调整锯台的距离指示器 (参见插图L)

- 把平行限制器放在锯片的右侧。  
移动平行限制器，直至放大镜(28)中的标记在下方刻度尺上显示26厘米。
- 固定时，请再次向下按压夹紧手柄(41)。
- 将夹紧手柄(16)向上拉到顶，然后将锯台扩展件(14)向外拉动，直至挡块。

### 检查

距离指示器(58)在上部刻度尺(2)上显示的数值必须与放大镜(28)下部刻度尺(2)上的标记相同。

### 调整

- 向外拉动锯台扩展件(14)，直至挡块。
- 用十字螺丝刀松开螺栓(68)，并沿着上部刻度尺(2)的26厘米标记校准距离指示器(58)。

### 调整平行限制器的平行度 (参见插图M)

- 将电动工具调整在工作位置上。
- 移除保护盖(6)。



- 松开并移动平行限制器的夹紧手柄(41)，直至与锯片接触。

#### 检查

平行限制器 必须在整个长度上接触锯片。

#### 调整

- 用随附的内六角扳手(22)松开内六角螺栓(69)。
- 小心地移动平行限制器，直至在整个长度上接触锯片。
- 让平行限制器保持在这个位置，并重新向下按压夹紧手柄(41)。
- 重新拧紧内六角螺栓(69)。

#### 调整平行限制器的张力

频繁使用后可能会减弱平行限制器的张力。

- 拧紧调整螺栓(25)，直至平行限制器可以再次牢固地固定到锯台上。

#### 调整平行限制器的放大镜 (参见插图M)

- 将电动工具调整在工作位置上。
- 去除保护盖(6)。
- 从右侧移动平行限制器，直至接触到锯片。

#### 检查

放大镜(28)的标记必须与刻度尺(2)的0毫米标记成一条线。

#### 调整

- 用十字螺丝刀松开螺栓(70)，然后沿着0毫米标记对齐标记。

#### 调整锯台插入件的水平高度 (参见插图N)

#### 检查

锯台插入件(26)的正面必须与锯台齐平或略微低于锯台，背面必须与锯台齐平或略微高于锯台。

#### 调整

- 移除锯台插入件(26)。
- 用内六角扳手(22)正确调整四个调整螺栓(71)的水平高度。

## 存储和运输

#### 存放机件 (参见插图O1-O5)

本电动工具也提供了存放机件的机会，您可以将某些机件固定在电动工具上。

- 松开平行限制器 上的辅助平行限制器(43)。
- 将所有已松下的机件插到壳体的储存槽中 (参见下表)。

图片	机件	储存槽
O1	保护盖(6)	挂到支架的凹槽(34)中并用夹紧杆(39)拧紧
O1	反弹锁(9) (国家版本 3 601 M30 5C2)	将按钮(48)压到一起，然后卡入支架(74)的孔中
O2	“辅助平行限制器”固定套件(44)	卡入支架(72)
O2	吸尘适配器(33)	推入固定夹(73)

图片	机件	储存槽
O3	环形扳手(23)	用固定螺母(75)固定到工具槽中
O3	推棒(24)	挂到固定螺母(75)上方并通过移动进行固定
O4	平行限制器	转动，从下方挂入导轨，固定住夹紧手柄(41)
O5	内六角扳手(22) 内六角扳手(21)	推入支架(76)
O5	角度挡块(3)	推入固定夹(77)
O5	辅助平行限制器(43)	推入固定夹(31) (短边向上；长边向后)

#### 搬运电动工具

运输电动工具之前必须先执行以下各步骤：

- 将电动工具调整在运输位置上。
- 拆除所有无法固定安装在电动工具上的附件。运输时必须尽可能把不使用的锯片放置在封闭的盒子中。
- 将锯台扩展件(14)向内移到底，然后向下按压夹紧手柄(16)来固定。
- 将电源线缠到电线支架(30)上。
- 需要提升或搬运时可使用提柄(13)。
- ▶ 搬动电动工具时只能使用运输装置，不可以利用防护装置来运输电动工具。

## 维修和服务

#### 维护和清洁

- ▶ 在电动工具上进行所有操作之前都必须从插座上拔出电源插头。
- ▶ 电动工具和通气孔必须随时保持清洁，以确保工作效率和工作安全。

如果必须更换连接线，务必把这项工作交给Bosch或者经授权的Bosch电动工具顾客服务执行，以避免危害机器的安全性能。

#### 清洁

每次工作结束后，使用压缩空气或毛刷清除机器上的灰尘和锯屑。

#### 润滑电动工具

- ▶ **润滑剂：**  
发动机油SAE 10/SAE 20
- 必要时润滑电动工具，请在指示的位置添加润滑油 (参见插图P)。

经过授权的博世客户服务中心，能够既快速又可靠地执行上述工作。

- ▶ 必须根据环保单位的规定处理不用的润滑油和清洁剂。务必要遵守法律的规定。

#### 降低噪音的措施

制造商提供的方法：

- 缓速启动
  - 提供特别为了降低噪音而研发的锯片
- 操作者自己能做的措施：



- 將機器安裝在穩固的工作面上，可以降低震動
- 使用具備了降低噪音功能的鋸片
- 定期清潔鋸片和電動工具

#### 附件

	物品代碼
集塵袋	2 610 015 511
吸塵适配器	2 610 015 509
Y型轉接头 TSVH 3	2 610 015 513
角度擋塊	2 610 015 507
推棒	2 610 015 022
工作台 GTA 600	0 601 B22 001
<b>用于木材和板材、裝飾板和木條的鋸片</b>	
鋸片，254 x 25.4毫米，40齒	2 608 640 901
鋸片，254 x 25.4毫米，60齒	2 608 640 902

#### 客戶服務和應用諮詢

本公司顧客服務處負責回答有關本公司產品的修理、維護和備件的問題。備件的展開圖紙和信息也可查看：[www.bosch-pt.com](http://www.bosch-pt.com)  
博世應用諮詢團隊樂於就我們的產品及其附件問題提供幫助。

詢問和訂購備件時，務必提供機器銘牌上標示的10位數物品代碼。

#### 中國大陸

博世電動工具（中國）有限公司  
中國 浙江省 杭州市  
濱江區 濱康路567號  
102/1F 服務中心  
郵政編碼：310052  
電話：(0571)8887 5566 / 5588  
傳真：(0571)8887 6688 x 5566# / 5588#  
電郵：[bsc.hz@cn.bosch.com](mailto:bsc.hz@cn.bosch.com)  
[www.bosch-pt.com.cn](http://www.bosch-pt.com.cn)

#### 製造商地址：

Robert Bosch Power Tools GmbH  
羅伯特·博世電動工具有限公司  
70538 Stuttgart / GERMANY  
70538 斯圖加特 / 德國

#### 其他服務地址請見：

[www.bosch-pt.com/serviceaddresses](http://www.bosch-pt.com/serviceaddresses)

#### 處理廢棄物

必須以符合環保要求的方式回收再利用電動工具、附件和包裝材料。



不可以把電動工具丟入家庭垃圾中！

## 繁體中文

### 安全注意事項

#### 電動工具一般安全注意事項

**警告** 請詳讀工作臺及電動工具的所有安全警告與使用說明。若不遵照以下列出的指示，將可能導致電擊、著火和/或人員重傷。

**保存所有警告和說明書以備查閱。**

在所有警告中，「電動工具」此一名詞泛指：以市電驅動的（有線）電動工具或是以電池驅動的（無線）電動工具。

#### 工作場地的安全

- ▶ **保持工作場地清潔和明亮。** 混亂和黑暗的場地會引發事故。
- ▶ **不要在易爆環境，如有易燃液體、氣體或粉塵的環境下操作電動工具。** 電動工具產生的火花會點燃粉塵或氣體。
- ▶ **讓兒童和旁觀者離開後操作電動工具。** 注意力不集中會使您失去對工具的控制。

#### 電氣安全

- ▶ **電動工具插頭必須與插座相配。** 絕不能以任何方式改裝插頭。需接地的電動工具不能使用任何轉換插頭。未經改裝的插頭和相配的插座將減少電擊危險。
- ▶ **避免人體接觸接地表面，如管道、散熱片和冰箱。** 如果您身體接地會增加電擊危險。
- ▶ **不得將電動工具暴露在雨中或潮濕環境中。** 水進入電動工具將增加電擊危險。
- ▶ **不得濫用電線。** 絕不能用電線搬運、拉動電動工具或拔出其插頭。使電線遠離熱源、油、銳利邊緣或移動零件。受損或纏繞的軟線會增加電擊危險。
- ▶ **當在戶外使用電動工具時，使用適合戶外使用的延長線。** 適合戶外使用的軟線，將減少電擊危險。
- ▶ **如果在潮濕環境下操作電動工具是不可避免的，應使用剩餘電流動作保護器（RCD）。** 使用RCD可降低電擊危險。

#### 人身安全

- ▶ **保持警覺，當操作電動工具時關注所從事的操作並保持清醒。** 當您感到疲倦，或在有藥物、酒精或治療反應時，不要操作電動工具。在操作電動工具時瞬間的疏忽會導致嚴重人身傷害。
- ▶ **使用個人防護裝置。** 始終佩戴護目鏡。安全裝置，諸如適當條件下使用防塵面具、防滑安全鞋、安全帽、聽力防護等裝置能減少人身傷害。
- ▶ **防止意外起動。** 確保開關在連接電源和/或電池盒、拿起或搬運工具時處於關閉位置。手指放在已接通電源的開關上或開關處於接通時插入插頭可能會導致危險。

- ▶ 在電動工具接通之前，拿掉所有調節鑰匙或扳手。遺留在電動工具旋轉零件上的扳手或鑰匙會導致人身傷害。
- ▶ 手不要伸展得太長。時刻注意立足點和身體平衡。這樣在意外情況下能很好地控制電動工具。
- ▶ 著裝適當。不要穿寬鬆衣服或佩戴飾品。讓您的衣物及頭髮遠離運動部件。寬鬆衣服、佩飾或長髮可能會捲入運動部件中。
- ▶ 如果提供了與排屑、集塵設備連接用的裝置，要確保他們連接完好且使用得當。使用這些裝置可減少塵屑引起的危險。
- ▶ 切勿因經常使用工具所累積的熟練感而過度自信，輕忽工具的安全守則。任何一個魯莽的舉動都可能瞬間造成人員重傷。

#### 電動工具使用和注意事項

- ▶ 不要濫用電動工具，根據用途使用適當的電動工具。選用適當設計的電動工具會使您工作更有效、更安全。
- ▶ 如果開關不能開啟或關閉工具電源，則不能使用該電動工具。不能用開關來控制的電動工具是危險的且必須進行修理。
- ▶ 在進行任何調整、更換配件或貯存電動工具之前，必須從電源上拔掉插頭並／或取出電池盒。這種防護性措施將減少工具意外起動的危險。
- ▶ 將閒置不用的電動工具貯存在兒童所及範圍之外，並且不要讓不熟悉電動工具或對這些說明不瞭解的人操作電動工具。電動工具在未經培訓的用戶手中是危險的。
- ▶ 保養電動工具與配備。檢查運動件是否調整到位或卡住，檢查零件破損情況和影響電動工具運行的其他狀況。如有損壞，電動工具應在使用前修理好。許多事故由維護不良的電動工具引發。
- ▶ 保持切削刀具鋒利和清潔。保養良好的有鋒利切削刀的刀具不易卡住而且容易控制。
- ▶ 按照使用說明書，考慮作業條件和進行的作業來使用電動工具、配件和工具的刀頭等。將電動工具用於那些與其用途不符的操作可能會導致危險。
- ▶ 把手及握持區應保持乾燥、潔淨，且不得沾染任何油液或油脂。易滑脫的把手及握持區將無法讓您在發生意外狀況時安全地抓緊並控制工具。

#### 檢修

- ▶ 將您的電動工具送交專業維修人員，必須使用同樣的備件進行更換。這樣將確保所維修的電動工具的安全性。

#### 圓鋸台安全說明

##### 防護裝置相關警示

- ▶ 將防護裝置放好。防護裝置功能需正常且正確安裝。鬆脫、損壞或功能不正常的防護裝置均必須修復或更換。
- ▶ 每次切割作業均必須使用鋸片防護裝置、劈刀及防反彈裝置。針對鋸片會將加工件的整個厚度均切開的切割作業，防護裝置與其他安全裝置有助於降低受傷風險。

- ▶ 在完成需要拆除防護裝置、劈刀及（或）防反彈裝置的作業（如開槽口、刨槽或二次鋸切等）後請立即重新裝上防護系統。防護裝置、劈刀與防反彈裝置有助於降低受傷風險。
- ▶ 在啟動前請確認鋸片未與防護裝置、劈刀或加工件接觸。鋸片意外接觸這些東西可能會造成危險。
- ▶ 請依本說明書中的指示來調整劈刀。不正確的間隔、定位和校準皆可能會無法有效降低劈刀反彈的情況。
- ▶ 若要使用劈刀及防反彈裝置，必須將其與工件啮合。若加工件過短而無法啟動劈刀和防反彈裝置，則劈刀及防反彈裝置無法運作。在此情況下，劈刀及防反彈裝置會無法防止反彈。
- ▶ 使用適當的劈刀鋸片。為使劈刀正常運作，鋸片直徑必須與劈刀配合且鋸片刀體必須比劈刀薄且鋸片的切割寬度必須比劈刀的厚度寬。

##### 切割程序警示

- ▶ **⚠ 危險：請勿將您的手或手指放在鋸片附近或其路徑上。**一不小心或滑動，均可能讓您的手靠近鋸片而造成嚴重的人身傷害。
- ▶ 將加工件推向鋸片時請務必與旋轉方向相反。若以和鋸片在鋸台上旋轉的方向相同之方向推入加工件，均可能使加工件及您的手被鋸片拉過去。
- ▶ 在劈鋸作業時切勿使用角度量規推送加工件，且搭配角度量規進行交叉切割時請勿用碎片護欄作為長度擋塊。同時用碎片護欄及角度量規會增加鋸片卡住及反彈的機會。
- ▶ 進行劈鋸作業時，請從護欄與鋸片間推送加工件。當護欄與鋸片間的距離小於150 mm時請使用推桿，當距離小於50 mm時則請使用推塊。「作業協助」裝置可讓您的手與鋸片保持安全距離。
- ▶ 請僅使用製造商提供或依說明製作的推桿。此推桿可讓手與鋸片保持足夠的距離。
- ▶ 請勿使用損壞或切斷的推桿。損壞的推桿可能會斷掉而讓您的手滑到鋸片中。
- ▶ 請勿「徒手」進行任何操作。請務必使用碎片護欄或角度量規進行加工件定位與導引。「徒手」指用手代替碎片護欄或角度量規支撐或引導加工件。徒手鋸切會造成不對齊、卡住或反彈。
- ▶ 請勿靠近接近轉動中的鋸片。嘗試接觸加工件時可能會意外與移動中的鋸片接觸。
- ▶ 針對長且／或寬的加工件請在鋸台後方及／或兩側使用輔助工作件支撐裝置使其保持水平。長且／或寬的加工件易在鋸台邊緣處翻覆，造成失控、鋸片卡住及反彈。
- ▶ 請以穩定的節奏推送加工件。請勿彎折或扭曲加工件。若發生卡住的情況，請立即將工具關閉，把電源拔掉後排除卡住的情況。鋸片被加工件卡住為造成反彈或使馬達空轉。
- ▶ 請勿在鋸片運作時將切掉的材料去除。這些材料可能會卡在護欄間或鋸片內而將您的手指拉向鋸片。移除材料前請關閉鋸片並等後其完全停止。

- ▶ 在劈鋸厚度低於2 mm的加工件時，請在鋸台上方使用輔助護欄。較薄的加工件可能會落到碎片護欄底下而造成反彈。

#### 反彈原因與相關警告

反彈是加工件因擠壓、卡住的鋸片或加工件的切割線與鋸片不對齊，或部分加工件卡在鋸片與碎片護欄或其他固定物間所造成的情況。

通常在反彈時，加工件會被鋸片的後段從鋸台上升起並朝操作員飛過來。

反彈是不當使用電鋸及／或操作程序（條件）不正確所造成的結果。採取以下適當預防措施，則可避免此一情況。

- ▶ 請勿站在鋸片的延伸線上。隨時站在鋸片旁有護欄的那一側。反彈會使加工件高速飛向站在鋸片延伸線上的人員。
- ▶ 請勿從鋸片後方拉動或支撐加工件。如此可能會意外接觸鋸片或因反彈而將手指拉進鋸片中。
- ▶ 請勿將切割中的加工件朝旋轉中的鋸片壓。將加工件朝鋸片壓會造成卡住的情況或反彈。
- ▶ 將護欄與鋸片保持平行。未校準的護欄會將加工件朝鋸片擠壓而造成反彈。
- ▶ 進行非穿透式切割如開槽口、刨槽或二次鋸切時，請使用羽毛板引導加工件進入鋸台與護欄。羽毛板有助於在反彈時控制加工件。
- ▶ 支撐控制板以降低鋸片卡住及發生反彈的風險。大型控制板可能因其本身的重量而下垂。支撐裝置必須位於控制板懸在鋸台外的部分之下方。
- ▶ 切割扭曲、交錯、捲曲或無垂直邊緣可使用角度量規或沿護欄引導之加工件時請特別小心。捲曲、交錯或扭曲的加工件會不穩定並造成鋸片不對齊、卡住及反彈的情況。
- ▶ 請勿以垂直或水平堆疊的方式一次切割多個加工件。鋸片會推起多個加工件而造成反彈。
- ▶ 當在加工件中重新啟動鋸片時，請將鋸片與切割線對齊讓鋸齒不會卡在材料中。若鋸片卡住，可能會使加工件升起而在鋸片重新啟動時造成反彈。
- ▶ 請保持鋸片清潔、銳利並有充足的鋸齒量。切勿使用扭曲的鋸片或有破損之鋸牙的鋸片。尖銳且鋸齒量足的鋸片可降低卡住、空轉及反彈的情況。

#### 圓鋸台操作程序警告

- ▶ 拆卸鋸台插件、更換鋸片或調整劈刀、防反彈裝置或鋸片防護裝置及機器無人操作時，請關閉圓鋸台並拔掉電源線。採取預防措施有助於避免意外。
- ▶ 請勿將運作中的圓鋸台處於無人管理的狀態。請將其關閉並等到其完全停住後再離開。運轉中但無人管理的鋸片會有意外風險。
- ▶ 請將圓鋸台放在光線充足且水平的區域，讓您能有穩定站立的空間。其應安裝在能讓您有足夠空間控制您加工件的區域中。狹窄、陰暗且不平坦且失滑的地面容易造成意外。
- ▶ 請常清潔並清除鋸台下方及（或）塵屑收集裝置中的鋸屑。堆積的鋸屑具易燃性，可能會自燃。

- ▶ 圓鋸台必須妥善固定。未妥善固定的圓鋸台可能會移動或翻覆。
- ▶ 在啟動圓鋸台前請將工具、木塊等從鋸台上移開。否則可能會造成分心或有卡住的危險。
- ▶ 請務必使用具備正確尺寸和心軸形狀（鑽石或圓形）的鋸片。不符合鋸片安裝硬體的刀片在運轉時將會偏離中心，進而導致失控。
- ▶ 請勿使用損壞或不正確的鋸片安裝工具如法蘭、鋸片墊片、螺栓或螺帽等。這些安裝工具是針對您的鋸台專門設計，能確保其運作安全與性能。
- ▶ 請勿站在圓鋸台上，請勿用其當作踏腳台。若工具翻覆或不小心接觸到切割工具，會造成嚴重的傷害。
- ▶ 安裝鋸片時請確認其轉動的方向正確。請勿在圓鋸台上使用研磨輪、鋼絲刷或砂磨輪。未妥當安裝鋸片或使用非建議之配件均會造成嚴重受傷。

#### 其他安全注意事項

- ▶ 安裝鋸片時務必穿戴防護手套。人員可能有受傷之虞。
- ▶ 請勿使用高合金快速鋼（HSS）材質的鋸片。此類鋸片容易折斷。
- ▶ 根據本說明書中以及本電動工具上載述的技術數據，選擇合適的鋸片。必須選用通過 EN 847-1 認證而且具有此一認證標示的鋸片。
- ▶ 操作工具時一定要使用工作桌嵌件。工作桌嵌件如已故障，請更換之。少了完好的工作桌嵌件，您可能會被鋸片割傷。
- ▶ 作業區請保持整潔。複合材質是極具危險性的材質。輕質合金粉塵可能會起火或爆炸。
- ▶ 請您根據欲進行加工的材料，選用合適的鋸片。
- ▶ 只能使用由本電動工具製造商推薦且適用於加工材料的鋸片。
- ▶ 唯有在鋸片已處於運作狀態下，才可將工件移過去進行加工。否則如果鋸片卡在工件中，會有反彈的危險。

#### 符號

以下符號可以幫助您正確地使用本電動工具。請牢記各符號和它們的代表意義。正確了解各符號代表的意思，可以幫助您更有把握更安全地操作本電動工具。

##### 符號和它們的代表意義



當電動工具運轉時，切勿把手放在鋸切範圍內。手如果觸碰鋸片有被割傷的危險。



請佩戴防塵面罩。

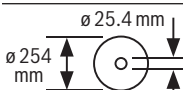
## 符號和它們的代表意義



請佩戴耳罩。工作噪音會損壞聽力。

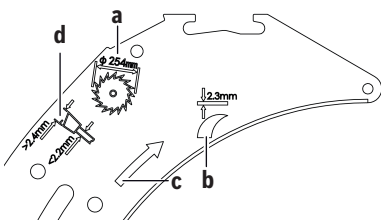


請佩戴護目鏡。

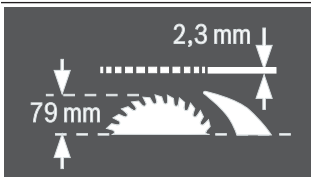


請注意鋸片的尺寸。鋸片上的內孔直徑必須和工具主軸完全吻合，不能有空隙。如果必須使用異徑管，則應注意：異徑管尺寸必須與鋸片主體厚度、鋸片內孔直徑以及工具主軸直徑相配。請儘可能使用鋸片隨附的異徑管。

鋸片直徑必須與符號上的數值相符。



- a 鋸片直徑的最大容許值是 254 mm。
- b 劈開楔的厚度是 2.3 mm。
- c 鋸齒的鋸切方向（即鋸片上的箭頭指示方向）必須與劈開楔上的箭頭指示方向一致。
- d 更換鋸片時請注意：鋸切寬度不得小於 2.4 mm 且鋸片主體的厚度不得大於 2.2 mm。否則劈開楔有卡在工件中之虞。



劈開楔的厚度是 2.3 mm。  
能處理的最大工件高度是 79 mm。

## 符號和它們的代表意義

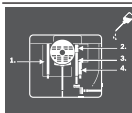


## 左邊：

為您指示降低（進入搬運位置）及升高（進入工作位置）鋸片時手搖桿應旋轉的方向。

## 右邊：

為您指示想要固定鋸片時制動桿應設定的位置以及調整垂直斜鋸角時制動桿應設定的位置（鋸片可翻轉）。



視需要潤滑電動工具，請在指示的位置添加潤滑油。



絕緣等級 II 的電動工具代表該產品採用加強絕緣或是雙重絕緣的設計。



CE 標章代表製造商認證此電動工具符合歐盟行指令。

## 產品和規格



請詳讀所有安全注意事項和指示。如未遵守安全注意事項與指示，可能導致火災、人員遭受電擊及/或重傷。  
請留意操作說明書中最前面的圖示。

## 依規定使用機器

本電動工具適合以站立的方式在軟木和硬木，塑合板和纖維板上進行縱向與橫向的直線鋸切。此時可加工的水平斜鋸角為  $-60^\circ$  至  $+60^\circ$ ，可加工的垂直斜鋸角為  $-2^\circ$  至  $47^\circ$ 。

安裝合適的鋸片後，也可以鋸切鋁製型材和塑膠。

## 插圖上的機件

機件的編號和電動工具詳解圖上的編號一致。

- (1) 平行擋塊的導槽
- (2) 鋸片與平行擋塊之間的距離刻度尺
- (3) 角度擋塊
- (4) 把手凹槽
- (5) 角度擋塊的導槽
- (6) 護罩
- (7) 鋸台
- (8) 劈開楔
- (9) 反彈制止裝置<sup>a)</sup>
- (10) 平行擋塊



- (11) 鋸台上供平行擋塊使用的 V 形導槽  
 (12) 安裝孔  
 (13) 提把  
 (14) 鋸台加寬件  
 (15) 用於工作台 GTA 600 的固定夾圈  
 (16) 鋸台加寬件的緊固握把  
 (17) 制動桿，用來調整垂直方向的斜角鋸切角度  
 (18) 手轉輪  
 (19) 用來升高和降低鋸片的手搖柄  
 (20) 起停開關的安全掀蓋  
 (21) 內六角扳手 (2 mm)  
 (22) 內六角扳手 (5 mm)  
 (23) 環形扳手 (23 mm)  
 (24) 推棒  
 (25) 平行擋塊夾力校正螺栓  
 (26) 鋸台嵌件  
 (27) 鋸片  
 (28) 放大鏡  
 (29) 型材擋軌  
 (30) 電線托架  
 (31) 用以收納輔助平行擋塊的固定夾  
 (32) 出屑口  
 (33) 吸塵轉接頭  
 (34) 用以收納護罩的托架  
 (35) 劈開楔的夾緊桿  
 (36) 劈開楔的內六角螺栓<sup>a)</sup>  
 (37) 劈開楔的定位插銷  
 (38) 供鋸台嵌件使用的開口  
 (39) 護罩的夾緊桿  
 (40) 護罩的導向銷  
 (41) 平行擋塊的緊固握把  
 (42) 平行擋塊的 V 形導向件  
 (43) 輔助平行擋塊  
 (44) 「輔助平行擋塊」固定套件  
 (45) 角度擋塊的導引軌  
 (46) 「型材擋軌」固定套件  
 (47) 出屑口的固定螺栓  
 (48) 可讓您抽回反彈制止裝置導向銷的按鈕<sup>a)</sup>  
 (49) 迫緊螺母  
 (50) 主軸制動桿  
 (51) 緊固法蘭  
 (52) 工具主軸  
 (53) 配接法蘭  
 (54) 角度指針 (垂直)  
 (55) 斜鋸角度尺 (垂直)  
 (56) 偏好斜鋸角的鎖定旋鈕 (水平)  
 (57) 角度擋塊上的角度指針  
 (58) 鋸台上的距離指針  
 (59) 啟動鈕  
 (60) 固定型材擋軌的滾花螺母  
 (61) 可調整 0° 擋塊的十字螺栓  
 (62) 0° 斜鋸角擋塊 (垂直)  
 (63) 角度指針的固定螺栓 (垂直)  
 (64) 可調整 45° 擋塊的十字螺栓  
 (65) 45° 斜鋸角擋塊 (垂直)  
 (66) 用以將鋸片調成平行的前方內六角螺栓 (5 mm)  
 (67) 用以將鋸片調成平行的後方內六角螺栓 (5 mm)  
 (68) 固定鋸台之距離指針的螺栓  
 (69) 用以將平行擋塊調成平行的內六角螺栓 (5 mm)  
 (70) 固定平行擋塊之距離指針的螺栓  
 (71) 鋸台嵌件的校正螺栓  
 (72) 用以收納「輔助平行擋塊」固定套件的托架  
 (73) 用以收納吸塵轉接頭的固定夾  
 (74) 用以收納反彈制止裝置的托架<sup>a)</sup>  
 (75) 環形扳手的固定螺母，也可以拿來懸掛推棒  
 (76) 用以收納內六角扳手的托架  
 (77) 用以收納角度擋塊的固定夾

a) 國家規格編號 **3 601 M30 5C2**

### 技術性數據

桌上型圓鋸機		GTS 10 J	GTS 10 J
產品機號		<b>3 601 M30 5..</b>	<b>3 601 M30 5C2</b>
額定輸入功率	W	1800	1700
額定電壓	V	220-240	120
頻率	Hz	50/60	60
無負載轉速	次 / 分	3650	3700
起動限流器		●	●
重量符合 EPTA-Procedure 01:2014	kg	26.2	26.2
絕緣等級		□/II	□/II
尺寸 (包含可拆式機件)			

桌上型圓鋸機		GTS 10 J	GTS 10 J
寬度 x 深度 x 高度	mm	640 x 706 x 330	640 x 706 x 330
<b>適用鋸片的尺寸</b>			
鋸片直徑	mm	254	254
鋸片主體的厚度	mm	< 2.2	< 2.2
最小鋸齒厚度 / 鋸齒斜度	mm	> 2.4	> 2.4
孔徑	mm	25.4	25.4

最大工件尺寸：(參見「最大工件尺寸」, 頁 75)

本說明書提供的參數是以 230 伏特為依據，於低電壓地區，此數據有可能不同。

## 安裝

- ▶ 請避免意外啟動電動工具。安裝時以及進行電動工具的維護修理工作時，機器的插頭都不可以插在插座中。

### 供貨範圍

初次使用本電動工具之前，先檢查以下各部件是否包含在供貨範圍中：

- 桌上型圓鋸機包含已裝上的鋸片 (27) 以及劈開楔 (8)
- 角度擋塊 (3)
- 型材擋軌 (29)
- 「型材擋軌」固定套件 (46) (導向板、滾花螺母、螺栓、墊片)
- 平行擋塊
- 輔助平行擋塊 (43)
- 「輔助平行擋塊」固定套件 (44) (3 顆固定螺栓、3 個墊片、3 個蝶翼螺母)
- 護罩 (6)
- 反彈制止裝置 (9) (國家規格編號 3 601 M30 5C2)
- 內六角扳手 (22)
- 內六角扳手 (21)
- 環形扳手 (23)
- 推棒 (24)
- 鋸台嵌件 (26)
- 吸塵轉接頭 (33)

**提示：**檢查電動工具是否有壞損之處。

使用電動工具之前，必須仔細檢查防護裝置或輕微損壞的零件是否仍然運作正常。檢查活動零件是否功能正常、沒有被卡死，以及是否有任何零件有否受損。所有零件都必須安裝正確，並且符合規定以確保機器能夠正常運作。

損壞的防護裝置和零件必須按照規定交給合格的專業修理廠修理或更換。

### 安裝各部件

- 小心地從包裝中取出所有隨附零件。
  - 拆除電動工具和隨附配件上的所有包裝材料。
  - 注意，必須拆除馬達缸體下方的包裝材料。
- 直接固定在機殼上的機件如下：推棒 (24)、環形扳手 (23)、內六角扳手 (22) 和 (21)、平行擋塊

(10)、角度擋塊 (3)、吸塵轉接頭 (33)、輔助平行擋塊 (43) 及其固定套件 (44)、護罩 (6)。

- 您若需要使用其中任一機件，請小心地將它從收納位置上取出。

### 將劈開楔移至正確工作位置 (請參考圖 a1-a2)

**提示：**必要時，請在移至正確工作位置前，清潔所有所有待安裝的零部件。

- 將手搖桿 (19) 順時針轉到底，讓鋸片 (27) 升至鋸台上方可到達的最高位置。
- 鬆開夾緊桿 (35)。
- 或  
國家規格編號 3 601 M30 5C2：用內六角扳手 (22) 鬆開內六角螺栓 (36)。
- 將劈開楔 (8) 往夾緊桿 (35) 方向移至能夠往上拉的位置。
- 將劈開楔往上拉到底，使它定位在鋸片正中間上方位置。
- 讓兩根插銷 (37) 卡入至劈開楔上的下方開孔中，然後將夾緊桿 (35) 拉緊或重新旋緊內六角螺栓 (36)。

### 安裝鋸台嵌件 (請參考圖 b)

- 將鋸台嵌件 (26) 掛入至工具槽的後方開口 (38) 內。
  - 將鋸台嵌件往下推入。
  - 按壓鋸台嵌件，使它的前端卡入工具槽內。
- 鋸台嵌件的前端 (26) 必須與鋸台齊平或比它略低一些，而後端則必須與鋸台齊平或比它略高一些。

### 安裝護罩 (請參考圖 c1-c2)

**提示：**劈開楔必須位在鋸片正中間上方的最高位置，您才能安裝護罩 (請參考圖示 a2)。當劈開楔位於最低位置時 (即交貨狀態或鋸切溝槽時的位置)，請勿安裝護罩 (請參考圖示 a1)。

- 鬆開夾緊桿 (39) 然後將護罩 (6) 從托架 (34) 中取出。
  - 一隻手固定住護罩 (6) 的鋸片防護裝置 (上方金屬導軌)，然後用另一隻手夾緊桿 (39) 往上扳。
  - 將導向銷 (40) 往後推入劈開楔 (8) 的溝槽內。
  - 將護罩 (6) 往下移，使鋸片防護裝置 (上方金屬導軌) 與鋸台 (7) 表面平行。
  - 將夾緊桿 (39) 往下壓。必須感覺到並聽到夾緊桿卡入，這才表示護罩 (6) 已確實裝好並且固定妥當。
- ▶ 每次使用前都要檢查護罩是否活動自如。如果護罩因無法自由移動而無法立即閉合，切勿使用電動工具。



**安裝平行擋塊 (請參考圖 d)**

平行擋塊 (10) 可以設置在鋸片的左邊或是右邊。

- 鬆開平行擋塊 (10) 的緊固握把 (41)。V 形導向件 (42) 將隨之鬆開。
  - 請先將平行擋塊的 V 形導向件裝入至鋸台導槽 (11) 內。接著再調整平行擋塊在鋸台前方導槽 (1) 中的位置。
- 現在您可以隨心所欲地移動平行擋塊。
- 若要固定平行擋塊，請將緊固握把 (41) 往下壓。

**安裝輔助平行擋塊 (請參考圖 e)**

鋸切細長形工件及鋸切垂直斜鋸角時，必須在平行擋塊 (10) 上安裝輔助平行擋塊 (43)。

輔助平行擋塊可視需要安裝在平行擋塊 (10) 的左邊或右邊。

安裝時，請您使用「輔助平行擋塊」固定套件 (44) (2 顆固定螺栓、2 個墊片、2 個蝶翼螺母)。

- 將固定螺栓穿過平行擋塊 (10) 的側面開孔後推入。
- 此時螺栓頭可做為導引輔助平行擋塊之用。
- 將輔助平行擋塊 (43) 推至固定螺栓的螺栓頭上方。
- 將墊片套在固定螺栓上，利用蝶翼螺母旋緊這顆螺栓。

**安裝角度擋塊 (請參考圖 f1-f2)**

- 將角度擋塊 (3) 的導引軌 (45) 套進鋸台上專門為其設置的其中一個導槽 (5) 內。

工件較長時，為確保其穩固靠置，可利用型材擋軌 (29) 延伸角度擋塊。

- 請您視需要利用固定套件 (46) 將型材擋軌安裝在角度擋塊上。

**吸除廢塵／料屑**

含鉛顏料、部分木材種類、礦石和金屬的加工廢塵有害健康。機器操作者或施工現場附近的人員如果接觸、吸入這些廢塵，可能會引發過敏反應或感染呼吸道疾病。

某些塵埃 (例如加工橡木或山毛櫸的廢塵) 可能致癌，特別是與處理木材的添加劑 (例如木材的防腐劑等) 結合之後。唯有受過專業訓練的人才能夠進行含石棉物料的加工。

- 儘可能使用適合物料的吸塵裝置。
  - 工作場所要保持空氣流通。
  - 建議佩戴 P2 過濾等級的口罩。
- 請留意並遵守貴國的物料加工相關法規。
- 廢塵／料屑吸集裝置可能被廢塵、廢屑或工件殘屑堵塞。
- 關閉電動工具，並且從插座中拔出插頭。
  - 請您稍候，讓鋸片完全停止轉動。
  - 找出造成堵塞的原因，並排除障礙。
- ▶ **避免讓工作場所堆積過多的塵垢。** 塵埃容易被點燃。
- ▶ **為了避免鋸切鋸材時釀成火災，請將出屑口清除乾淨並且不要使用集塵袋。**

**將出屑口清除乾淨 (請參考圖 g)**

您可將出屑口 (32) 清除乾淨，以便去除工件碎片及大塊鋸屑。

- 關閉電動工具，並且從插座中拔出插頭。
- 請您稍候，讓鋸片完全停止轉動。
- 請用內六角扳手 (22) 鬆開固定螺栓 (47)。
- 將出屑口 (32) 拔出，清除上面的工件碎片和鋸屑。
- 重新將出屑口安裝在電動工具上。

**外接的吸塵裝備 (請參考圖 h)**

請使用隨附的吸塵轉接頭 (33)，以便將吸塵器連接至出屑口 (32)。

- 將吸塵轉接頭 (33) 和吸塵軟管牢牢套上。
- 根據工件材質選擇合適的吸塵器。
- 吸集可能危害健康、可能致癌或乾燥的廢塵時，務必使用特殊吸塵器。

**固定式安裝或活動式安裝**

- ▶ **為了能夠穩定地操作機器，正式使用機器之前，必須把電動工具固定在平坦、穩固的工作平面上 (例如工作桌)。**

**安裝在工作平面上 (請參考圖 i)**

- 使用合適的夾鉗把電動工具固定在工作平面上。必須利用安裝孔 (12) 來進行固定。

**安裝在博世工作台上 (請參考圖 j)**

博世工作台 (例如 GTA 600) 擁有可調整高度的桌腳，使電動工具能夠穩固站立在任何底座上。

- ▶ **請詳讀工作桌附帶的所有警告指示和說明。** 若未遵循警告指示和說明可能遭受電擊、發生火災並／或造成嚴重傷害。
- ▶ **安裝電動工具之前必須先正確地組裝工作台。** 重點是要正確地組裝工作台，以避免工作台倒塌。
- 把電動工具調整至搬運位置並將其安裝在工作台上。

**更換鋸片 (請參考圖 k1-k4)**

- ▶ **維修電動工具或換裝零、配件之前，務必從插座上拔出插頭。**
- ▶ **安裝鋸片時務必穿戴防護手套。** 人員可能有受傷之虞。
- ▶ **所使用的鋸片的最高許可轉速必須高于電動工具的無負載轉速。**
- ▶ **根據本說明書中以及本電動工具上載述的技術數據，選擇合適的鋸片。必須選用通過 EN 847-1 認證而且具有此一認證標示的鋸片。**
- ▶ **只能使用由本電動工具製造商推薦且適用於加工材料的鋸片。**
- ▶ **請勿使用由高合金快速鋼 (HSS) 材質的鋸片。** 此類鋸片容易折斷。

**拆卸鋸片**

- 將手搖桿 (19) 順時針轉到底，讓鋸片 (27) 升至鋸台上方可到達的最高位置。

- 打開夾緊桿 (39) 然後將護罩 (6) 從劈開楔 (8) 上的溝槽拉出。
- 國家規格編號 3 601 M30 5C2 需額外：壓攏按鈕 (48) 並將反彈制止裝置 (9) 從劈開楔 (8) 的開孔中拔出。
- 用螺絲起子撬開鋸台嵌件 (26) 前端，然後將它從工具槽中取出。
- 用環形扳手 (23) 旋轉迫緊螺母 (49) 並同時拉起主軸制動桿 (50) 直到卡緊為止。
- 繼續拉住主軸制動桿，並沿逆時針方向旋出迫緊螺母。
- 取下緊固法蘭 (51)。
- 取出鋸片 (27)。

### 安裝鋸片

必要時，請在安裝前清潔所有待安裝的零部件。

- 將新的鋸片裝到工具主軸 (52) 的配接法蘭 (53) 上。

**提示：**請勿使用尺寸過小的鋸片。鋸片與劈開楔之間的最大徑向間隙為 3 - 8 mm。

▶ **安裝時請注意，鋸齒的鋸切方向（即鋸片上的箭頭指示方向）必須與劈開楔上的箭頭指示方向一致！**

- 將固定法蘭 (51) 和迫緊螺母 (49) 裝上。
- 用環形扳手 (23) 旋轉迫緊螺母 (49) 並同時拉起主軸制動桿 (50) 直到卡緊為止。
- 將迫緊螺母順時針旋緊。
- 重新裝入鋸台嵌件 (26)。
- 重新裝上護罩 (6)。
- 國家規格編號 3 601 M30 5C2 需額外：重新安裝反彈制止裝置 (9)。

## 操作

▶ **維修電動工具或換裝零、配件之前，務必從插座上拔出插頭。**

### 鋸片的搬運位置和工作位置

#### 搬運位置

- 拆下護罩 (6)、取出鋸台嵌件 (26) 並將劈開楔 (8) 移至最低位置。重新裝入鋸台嵌件 (26)。
- 逆時針旋轉手搖桿 (19)，直到鋸片 (27) 的鋸齒沈入至鋸台 (7) 下。
- 將鋸台加寬件 (14) 往內完全推入。將緊固握把 (16) 往下壓。鋸台加寬件將因此固定。

#### 工作位置

- 將劈開楔 (8) 移至鋸片正中間上方的最高位置，裝入鋸台嵌件 (26) 然後再安裝護罩 (6)。
- 順時針旋轉手搖桿 (19)，直到鋸片 (27) 的上方鋸齒位於工件上方約 3 - 6 mm 的位置。

### 調整垂直與水平斜鋸角

為確保精準鋸切，頻繁使用之後必須檢查電動工具的基本設定，必要時須適度調整。

#### 調整垂直斜鋸角（鋸片）（請參考圖 A）

垂直斜鋸角的調整範圍在  $-2^{\circ}$  至  $47^{\circ}$  之間。

- 逆時針旋轉制動桿 (17)，以便將它鬆開。

**提示：**當制動桿完全鬆開的那一刻，鋸片會因為地心引力而傾斜約  $30^{\circ}$  左右。

- 沿著連桿拉起或按壓手轉輪 (18)，直到角度指針 (54) 指在所需的垂直斜鋸角上。
- 讓手轉輪保持在這個位置上，然後將制動桿 (17) 重新旋緊。

為能快速準確地調整至垂直方向基本角度  $0^{\circ}$  和  $45^{\circ}$ ，出貨時已裝上調好的擋塊 ((62)、(65))。

#### 調整水平斜鋸角（角度擋塊）（請參考圖 B）

水平斜鋸角的調整範圍在  $60^{\circ}$ （左側）與  $60^{\circ}$ （右側）之間。

- 鎖定旋鈕 (56) 若已鎖上，請將它鬆開。
- 轉動角度擋塊，直到角度指針 (57) 指在所需的斜鋸角上。
- 將鎖定旋鈕 (56) 重新鎖緊。

### 加大鋸台

如果工件又長又重，必須在它懸空的末端底下墊上襯墊或做好支撐。

#### 鋸台加寬件（請參考圖 C）

鋸台加寬件 (14) 可將鋸台 (7) 往右加寬至最大 625 mm。

- 將鋸台加寬件的緊固握把 (16) 往上拉到底。
- 將鋸台加寬件 (14) 往外拉至所需長度。
- 將緊固握把 (16) 往下壓。鋸台加寬件將因此固定。

### 調整平行擋塊

平行擋塊 可以設置在鋸片的左邊（黑色刻度尺）或右邊（銀色刻度尺）。放大鏡 (28) 裡的標線所指位置即是，鋸片與平行擋塊之間的目前距離刻度 (2)。

依照您的需要，將平行擋塊放置到鋸片的任一側。

#### 調整平行擋塊

##### 不拉出鋸台

- 鬆開平行擋塊 的緊固握把 (41)。移動平行擋塊，使放大鏡 (28) 裡的標線指在所需的鋸片間隔距離上。
- 若不拉出鋸台，則應以銀色刻度尺 (2) 下方標示的數字為準。
- 若要固定位置，請將緊固握把 (41) 重新往下壓。

#### 調整平行擋塊

##### 拉出鋸台（請參考圖 D）

- 把平行擋塊放在鋸片的右側。
- 移動平行擋塊，使放大鏡 (28) 裡的標線指在下方刻度尺的 26 cm 位置上。
- 若要固定位置，請將緊固握把 (41) 重新往下壓。
- 將鋸台加寬件的緊固握把 (16) 往上拉到底。
- 將鋸台加寬件 (14) 往外拉，使距離指示器 (58) 指在所需的鋸片間隔距離上，請以上方刻度尺為準。

- 將緊固握把 (16) 往下壓。
- 鋸台加寬件將因此固定。

### 調整輔助平行擋塊 (請參考圖 E)

鋸切細長形工件及鋸切垂直斜鋸角時，必須在平行擋塊 上安裝輔助平行擋塊 (43)。

輔助平行擋塊可視需要安裝在平行擋塊 的左邊或右邊。

鋸切時工件可能卡在平行擋塊與鋸片之間，往上移動的鋸片會鉤住該工件並將其向外拋出。

因此要調整好輔助平行擋塊，須讓導引末端位在鋸片的最前端鋸齒與劈開楔前緣之間。

- 其做法是：鬆開固定套件 (44) 的所有蝶翼螺母，並移動輔助平行擋塊，直到只剩前面的兩顆螺栓仍發揮固定的作用。
- 重新旋緊蝶翼螺母。

### 調整劈開楔

劈開楔 (8) 可防止鋸片 (27) 卡死在鋸縫裡。如果鋸片被夾在工件中可能產生反彈。

因此要隨時注意，是否已正確地調整好劈開楔：

- 鋸片與劈開楔之間的最大徑向間隙為 3 - 8 mm。
- 劈開楔的厚度必須小於鋸縫寬度，並且大於鋸片主體的厚度。
- 劈開楔必須永遠與鋸片位於同一直線上。
- 就一般的切割線而言，劈開楔必須儘可能位在最高位置。

### 調整劈開楔高度 (請參考圖 F)

鋸切凹槽時您必須調整劈開楔的高度。

- ▶ 使用本電動工具進行挖槽或壓鉚時，請務必搭配適當的防護裝置 (例如隧道式防護罩、防彈止回羽毛板)。
- 打開夾緊桿 (39) 然後將護罩 (6) 從劈開楔 (8) 上的溝槽拉出。  
為避免防護罩損壞，請將它收納在機殼上的專用托架 (34) 裡 (另請參考圖 O1)。
- 國家規格編號 3 601 M30 5C2 需額外：  
壓擺按鈕 (48) 然後將反彈制止裝置 (9) 從劈開楔 (8) 的開孔中拔出。  
為確保反彈制止裝置安全存放，請將它固定在機殼上的專用托架 (74) 裡 (另請參考圖 O1)。
- 將手搖桿 (19) 順時針轉到底，讓鋸片 (27) 升至鋸台上方可到達的最高位置。
- 鬆開夾緊桿 (35)。  
或  
國家規格編號 3 601 M30 5C2：用內六角扳手 (22) 鬆開內六角螺栓 (36)。
- 將劈開楔從插銷 (37) 上拔出 (夾緊桿 (35) 需稍微往外拉)，然後將劈開楔 (8) 向下推到底。
- 讓兩根插銷 (37) 卡入至劈開楔上的上方開孔中，然後將夾緊桿 (35) 重新拉緊。

### 操作機器

- ▶ 注意電源的電壓！電源的電壓必須和電動工具銘牌上標示的電壓一致。

### 啟動 (請參考圖 G1)

- 將安全掀蓋 (20) 往上翻。
- 若要让機器運轉，請按壓綠色的啟動鈕 (59)。
- 讓安全掀蓋 (20) 自行落下，回到原位。

### 關閉 (請參考圖 G2)

- 按壓安全掀蓋 (20)。

### 停電

本機器的起停開關是所謂的零電壓開關。它可以防止電動工具在停電之後 (例如在操作中途拔出電源插頭) 自行起動。

之後若想讓電動工具重新運轉，必須再次按壓綠色啟動鈕 (59)。

### 作業注意事項

#### 一般性的鋸切指示

- ▶ 進行任何鋸切之前必須先確定鋸片絕對不會碰觸擋塊或其它機件。
- ▶ 使用本電動工具進行挖槽或壓鉚時，請務必搭配適當的防護裝置 (例如隧道式防護罩、防彈止回羽毛板)。
- ▶ 請勿使用本電動工具進行挖槽作業 (即工件上的凹槽未延伸至邊緣)。

保護鋸片，以免受遭衝擊和碰撞。不可以側壓鋸片。

劈開楔必須與鋸片呈同一直線，以防止工件卡死。不可以加工已被拉扯移位的工件。為了能緊靠在平行擋塊上，工件至少必須具備一道筆直的邊緣。推棒一律要存放在電動工具上。

#### 操作者的位置 (請參考圖 H)

- ▶ 請勿站在鋸片的延伸線上。隨時站在鋸片旁有護欄的那一側。反彈會使加工件高速飛向站在鋸片延伸線上的人員。
- 手掌、手指和手臂必須遠離轉動中的鋸片。

請遵照以下各項指示：

- 使用雙手握好工件並將工件牢牢地壓在鋸台上。
- 鋸切細長形工件及鋸切垂直斜鋸角時，請務必使用隨附的推棒 (24) 和輔助平行擋塊 (43)。

#### 最大工件尺寸

垂直斜鋸角	最大工件高度 [mm]
0°	79
45°	56

### 鋸切

#### 鋸切直線

- 將平行擋塊 調至所需的鋸切寬度。
- 將工件放到鋸台上、護罩 (6) 前方。
- 利用手搖桿 (19) 將鋸片升高或降低，使鋸片 (27) 的上方鋸齒位於工件上方約 3 - 6 mm 的位置。
- 啟動電動工具。

- 鋸切工件時必須施力均勻。  
如果用力過猛，鋸片的齒尖可能會過熱而造成工件受損。
- 關閉電動工具並等待鋸片完全停止轉動。

#### 鋸切垂直斜鋸角

- 將鋸片調整所需的垂直斜鋸角。  
鋸片若往左傾，則平行擋塊 必須位於鋸片的右邊。
- 相關工作步驟請遵循：(參見「鋸切直線」，頁 75)

#### 鋸切水平斜鋸角 (請參考圖 I)

- 請到角度擋塊 (3) 上，設定好所需的水平斜鋸角。
- 放上工件，請讓它貼靠型材擋軌 (29) 上。  
型材不可以放在鋸線之上。出現這種情況時，請鬆開滾花螺母 (60) 並移動型材擋軌的位置。
- 利用手搖桿 (19) 將鋸片升高或降低，使鋸片 (27) 的上方鋸齒位於工件上方約 3 - 6 mm 的位置。
- 啟動電動工具。
- 一隻手將工件抵住型材擋軌 (29)，另一隻手放在鎖定旋鈕 (56) 上將角度擋塊沿著導槽 (5) 慢慢往前推。
- 關閉電動工具並等待鋸片完全停止轉動。

#### 檢查和調整基本設定

為確保精準鋸切，頻繁使用之後必須檢查電動工具的基本設定，必要時須適度調整。

檢查時不但要具備足夠的經驗，而且得使用特殊工具。

博世客戶服務中心能夠既快速又可靠地執行這項工作。

#### 調整垂直方向的 0°/45° 基本斜鋸角擋塊

- 把電動工具調整至工作位置。
- 調整鋸片的 0° 垂直斜鋸角。
- 拆卸護罩 (6)。

#### 檢查 (請參考圖 J1)

- 請將量角規設為 90°，然後將它放置到鋸台 (7) 上。

量角規的柄部必須全長與鋸片 (27) 齊平。

#### 調整 (請參考圖 J2)

- 鬆開螺栓 (61)。於是您就能移動 0° 擋塊 (62) 了。
- 鬆開制動桿 (17)。
- 將手轉輪 (18) 推向 0° 擋塊，使量角規的柄部全長與鋸片齊平。
- 讓手轉輪保持在這個位置上，然後將制動桿 (17) 重新旋緊。
- 將螺栓 (61) 重新旋緊。

調整後，若角度指針 (54) 未與刻度尺 (55) 的 0° 記號呈一直線，請用一般市售十字螺絲起子鬆開螺栓 (63)，將角度指針對準 0° 記號。

請針對 45° 垂直斜鋸角，重複上述工作步驟 (鬆開螺栓 (64)；挪動 45° 擋塊 (65))。此時，不得重新調整角度指針 (54)。

#### 確認鋸片與角度擋塊導槽之間是否平行 (請參考圖 K)

- 把電動工具調整至工作位置。
- 拆卸護罩 (6)。

#### 檢查

- 用鉛筆標出從鋸台嵌件後面露出的第一顆左側鋸齒。
- 請將量角規設為 90°，然後將它靠在導槽 (5) 邊緣上。
- 移動量角規的柄部，讓它觸及做上記號的那顆鋸齒，然後記下鋸片與導槽之間的時間距離。
- 轉動鋸片，使做上記號的那顆鋸齒剛好露出在鋸台嵌件前方。
- 沿著導槽移動量角規，讓它解及做上記號的那顆鋸齒。
- 再度測量鋸片與導槽之間的距離。

這兩個測量值必須相同。

#### 調整

- 用隨附的內六角扳手 (22) 鬆開鋸台前方底下的內六角螺栓 (66) 以及鋸台後方底下的內六角螺栓 (67)。
- 小心地移動鋸片，使它與導槽 (5) 平行。
- 重新旋緊所有螺栓 (66) 和 (67)。

#### 調整鋸台的距離指示器 (請參考圖 L)

- 把平行擋塊放在鋸片的右側。  
移動平行擋塊，使放大鏡 (28) 裡的標線指在下方刻度尺的 26 cm 位置上。  
若要固定位置，請將緊固握把 (41) 重新往下壓。
- 將緊固握把 (16) 往上完全提起，並將鋸台加寬件 (14) 往外拉到底。

#### 檢查

距離指示器 (58) 在上方刻度尺 (2) 上所指著的讀數必須與下方刻度尺 (2) 上放大鏡 (28) 裡標線所指的數值相同。

#### 調整

- 將鋸台加寬件 (14) 往外拉到底。
- 用十字螺絲起子鬆開螺栓 (68)，然後將距離指示器 (58) 對準上方刻度尺 (2) 的 26 cm 記號。

#### 將平行擋塊調整成平行 (請參考圖 M)

- 把電動工具調整至工作位置。
- 拆卸護罩 (6)。
- 鬆開平行擋塊的緊固握把 (41)，然後將它移至與鋸片接觸為止。

#### 檢查

平行擋塊 必須全長接觸鋸片。

#### 調整

- 用隨附的內六角扳手 (22) 鬆開內六角螺栓 (69)。
- 小心地將平行擋塊 移動至全長接觸鋸片為止。
- 讓平行擋塊保持在這個位置上，然後將緊固握把 (41) 重新往下推。



- 將內六角螺栓 (69) 重新旋緊。

#### 調整平行擋塊的夾力

頻繁使用之後，平行擋塊 的夾力可能變小。

- 請將校正螺栓 (25) 一直旋緊至平行擋塊能夠重新牢牢固定在鋸台上為止。

#### 調整平行擋塊的放大鏡 (請參考圖 M)

- 把電動工具調整至工作位置。
- 拆卸護罩 (6)。
- 從右側將平行擋塊 移至接觸鋸片為止。

#### 檢查

放大鏡 (28) 的標線必須與刻度尺 (2) 的 0 mm 記號呈一直線。

#### 調整

- 請用十字螺絲起子鬆開螺栓 (70)，然後將標線對準 0 mm 記號。

#### 調整鋸台嵌件的水平位置 (請參考圖 N)

#### 檢查

鋸台嵌件的前端 (26) 必須與鋸台齊平或比它略低一些，而後端則必須與鋸台齊平或比它略高一些。

#### 調整

- 拆卸鋸台嵌件 (26)。
- 請用內六角扳手 (22) 將四顆校正螺栓 (71) 調至正確水平位置。

### 收納與搬運

#### 收納機件 (請參考圖 O1-O5)

本電動工具也具備機件收納功能，您可以將某些機件直接固定在電動工具上。

- 將輔助平行擋塊 (43) 從平行擋塊 上鬆開。
- 將所有零散的機件插入至機殼上各自的專屬收納位置 (詳見下表)。

圖片	機件	收納位置
O1	護罩 (6)	掛在托架 (34) 開口上，然後將夾緊桿 (39) 拉緊以便固定
O1	反彈制止裝置 (9) (國家規格編號 3 601 M30 5C2 )	將按鈕 (48) 壓攏，然後讓它卡止在托架 (74) 的開孔上
O2	「輔助平行擋塊」固定套件 (44)	夾在托架 (72) 裡
O2	吸塵轉接頭 (33)	推入至固定夾 (73) 裡
O3	環形扳手 (23)	利用固定螺母 (75) 固定在工具收納處
O3	推棒 (24)	掛在固定螺母 (75) 上，並稍微移動即可固定
O4	平行擋塊	翻轉 180 度，從下面掛在導引軌上，然後再將緊固握把 (41) 固定住

圖片	機件	收納位置
O5	內六角扳手 (22) 內六角扳手 (21)	推入至托架 (76) 裡
O5	角度擋塊 (3)	推入至固定夾 (77) 裡
O5	輔助平行擋塊 (43)	推入至固定夾 (31) 裡 (較短側往上；較長側往後)

#### 搬運電動工具

搬運電動工具之前必須先執行以下步驟：

- 把電動工具調整至搬運位置。
- 拆除所有無法被固定在電動工具上的配件。搬運時必須儘可能把不使用的鋸片放置在密閉盒子中。
- 將鋸台加寬件 (14) 往內推到底，並將緊固握把 (16) 往下壓進行固定。
- 將電源線纏繞在電線托架 (30) 上。
- 請從提把 (13) 處抬高或搬運。
- ▶ 搬動電動工具時只能使用搬運裝置。不可以利用防護裝置來搬運電動工具。

### 維修和服務

#### 維修和清潔

- ▶ 維修電動工具或換裝零、配件之前，務必從插座上拔出插頭。
- ▶ 電動工具和通風口都必須保持清潔，這樣才能夠提高工作品質和安全性。

如果必須更換連接線，請務必交由 **Bosch** 或者經授權的 **Bosch** 電動工具顧客服務執行，以避免危害機器的安全性能。

#### 清潔

每次工作結束後都要使用壓縮空氣或軟刷清除機器上的灰塵和鋸屑。

#### 潤滑電動工具

潤滑劑：  
機油 SAE 10/SAE 20



- 視需要潤滑電動工具，請在指示的位置添加潤滑油 (請參考圖 P)。

經過授權的博世客戶服務中心能夠既快速又可靠地執行上述工作。

- ▶ 潤滑油、清潔劑必須以符合環保要求的方式進行廢棄處置。請您務必遵守相關法律規定。

#### 降低噪音的措施

製造商提供的方法：

- 緩速起動
- 提供特別為了降低噪音而研發的鋸片

操作者自己能做的措施：

- 將機器安裝在穩固的工作面上，可以降低震動
- 使用具備降低噪音功效的鋸片
- 定期清潔鋸片和電動工具

## 配件

	產品機號
集塵袋	2 610 015 511
吸塵轉接頭	2 610 015 509
Y 型轉接頭 TSVH 3	2 610 015 513
角度擋塊	2 610 015 507
推棒	2 610 015 022
工作台 GTA 600	0 601 B22 001
<b>適用於木材與木板、嵌板和木條的鋸片</b>	
鋸片 254 x 25.4 mm，40 個鋸齒	2 608 640 901
鋸片 254 x 25.4 mm，60 個鋸齒	2 608 640 902

## 顧客服務處和顧客諮詢中心

本公司顧客服務處負責回答有關本公司產品的維修、維護和備用零件的問題。以下的網頁中有分解圖和備用零件相關資料：[www.bosch-pt.com](http://www.bosch-pt.com)  
如果對本公司產品及其配件有任何疑问，博世應用諮詢小組很樂意為您提供協助。  
當您需要諮詢或訂購備用零件時，請務必提供本產品型號銘牌上 10 位數的產品機號。

## 台灣

台灣羅伯特博世股份有限公司  
建國北路一段90 號6 樓  
台北市10491  
電話: (02) 7734 2588  
傳真: (02) 2516 1176  
[www.bosch-pt.com.tw](http://www.bosch-pt.com.tw)

## 製造商地址:

Robert Bosch Power Tools GmbH  
羅伯特·博世電動工具有限公司  
70538 Stuttgart / GERMANY  
70538 斯圖加特/ 德國

## 以下更多客戶服務處地址：

[www.bosch-pt.com/serviceaddresses](http://www.bosch-pt.com/serviceaddresses)

## 廢棄物處理

必須以符合環保的方式，回收再利用損壞的機器、配件和廢棄的包裝材料。



不可以把電動工具丟入家庭垃圾中。

## ไทย

## คำเตือนเพื่อความปลอดภัย

## คำเตือนเพื่อความปลอดภัยทั่วไปสำหรับเครื่องมือไฟฟ้า

## ⚠ คำเตือน อ่านคำเตือนเพื่อความปลอดภัย คำแนะนำ ภาพประกอบ และข้อมูล

จำเพาะทั้งหมดที่จัดส่งมาพร้อมกับเครื่องมือไฟฟ้า

การไม่ปฏิบัติตามคำแนะนำทั้งหมดที่ระบุไว้ด้านล่างนี้อาจทำให้ถูกไฟฟ้าดูด เกิดไฟไหม้ และ/หรือได้รับบาดเจ็บอย่างร้ายแรง

## เก็บรักษาคำเตือนและคำสั่งทั้งหมดสำหรับเปิดอ่านในภายหลัง

คำว่า "เครื่องมือไฟฟ้า" ในคำเตือนหมายถึง เครื่องมือไฟฟ้าของท่านที่ทำงานด้วยพลังงานไฟฟ้าจากแหล่งจ่ายไฟหลัก (มีสายไฟฟ้า) และเครื่องมือไฟฟ้าที่ทำงานด้วยพลังงานไฟฟ้าจากแบตเตอรี่ (ไร้สาย)

## ความปลอดภัยในสถานที่ทำงาน

- ▶ รักษาสถานที่ทำงานให้สะอาดและมีไฟส่องสว่างดี สถานที่ที่มีมืดหรือกรุงรังนำมาซึ่งอุบัติเหตุ
- ▶ อย่าใช้เครื่องมือไฟฟ้าทำงานในสภาพบรรยากาศที่จุดติดไฟได้ เช่น ในที่ที่มีของเหลวไวไฟ ก๊าซ หรือฝุ่น เมื่อใช้เครื่องมือไฟฟ้าจะเกิดประกายไฟซึ่งอาจจุดฝุ่นหรือไอให้ลุกเป็นไฟได้
- ▶ ขณะใช้เครื่องมือไฟฟ้าทำงาน ต้องกันเด็กและผู้ยืนดูให้ออกห่าง การหันเหความสนใจอาจทำให้ท่านขาดการควบคุมเครื่องมือได้

## ความปลอดภัยเกี่ยวกับไฟฟ้า

- ▶ ปลั๊กของเครื่องมือไฟฟ้าต้องเหมาะสมกับเต้าเสียบ อย่าตัดแปลงปลั๊กไม่ว่าในลักษณะใดๆ อย่างเด็ดขาด อย่าใช้ปลั๊กฟ่วงต่อใดๆ กับเครื่องมือไฟฟ้าที่มีสายดิน ปลั๊กที่ไม่ตัดแปลงและเต้าเสียบที่เข้ากันช่วยลดความเสี่ยงจากการถูกไฟฟ้าดูด
- ▶ หลีกเลี่ยงอย่าให้ร่างกายสัมผัสกับพื้นผิวที่ต่อสายดินหรือลงกราวด์ไว้ เช่น ห่อ เครื่องทำความร้อน เต้า และตู้เย็น จะเสี่ยงอันตรายจากการถูกไฟฟ้าดูดมากขึ้นหากกระแสไฟฟ้าวิ่งผ่านร่างกายของท่านลงดิน



- ▶ อย่าให้เครื่องมือไฟฟ้าถูกฝนหรืออยู่ในสภาพเปียกชื้น หากน้ำเข้าไปในเครื่องมือไฟฟ้า จะเพิ่มความเสี่ยงจากการถูกไฟฟ้าดูด
- ▶ อย่าใช้สายไฟฟ้าในทางที่ผิด อย่าใช้สายไฟฟ้าเพื่อยก ดึง หรือถอดปลั๊กเครื่องมือไฟฟ้า กันสายไฟฟ้าออกจากความร้อน น้ำมัน ขอบแหลมคม หรือชิ้นส่วนที่เคลื่อนที่ สายไฟฟ้าที่ชำรุดหรือพันกันยุ่งเพิ่มความเสี่ยงจากการถูกไฟฟ้าดูด
- ▶ เมื่อใช้เครื่องมือไฟฟ้าทางานกลางแจ้ง ให้ใช้สายไฟฟ้ที่เหมาะสำหรับการใช้งานกลางแจ้ง การใช้สายไฟฟ้ที่เหมาะสำหรับงานกลางแจ้ง แฉงช่วยลลดอันตรายจากการถูกไฟฟ้าดูด
- ▶ หากไม่สามารถหลีกเลี่ยงการใช้เครื่องมือไฟฟ้าทำงานในสถานที่เปียกชื้นได้ ให้ใช้ส่วที่ตัดวงจรเมื่อเกิดการรั่วไหลของไฟฟ้าจากสายดิน (RCD) การใช้ส่วที่ตัดวงจรเมื่อเกิดการรั่วไหลของไฟฟ้าจากสายดินช่วยลดความเสี่ยงต่อการถูกไฟฟ้าดูด

#### ความปลอดภัยของบุคคล

- ▶ ท่านต้องอยู่ในสภาพเตรียมพร้อม ระมัดระวังในสิ่งที่ท่านกำลังทำอยู่ และมีสติขณะใช้เครื่องมือไฟฟ้าทำงาน อย่าใช้เครื่องมือไฟฟ้าขณะที่ท่านกำลังเหนื่อย หรืออยู่ภายใต้การครอบงำของฤทธิ์ของยาเสพติด แอลกอฮอล์ และยา เมื่อใช้เครื่องมือไฟฟ้าทำงานในชั้นานที่ที่ท่านขาดความเอาใจใส่อาจทำให้บุคคลบาดเจ็บอย่างรุนแรงได้
- ▶ ใช้อุปกรณ์ปกป้องร่างกาย สวมแว่นตาป้องกันเสมอ อุปกรณ์ปกป้อง เช่น หน้ากากกันฝุ่น รองเทากันลื่น หมวกแข็ง หรือประคบหูกันเสียงดังที่ไซตามความเหมาะสมกับสภาพการทำงาน จะลดการบาดเจ็บทางร่างกาย
- ▶ ป้องกันการติดเครื่องโดยไม่ตั้งใจ ตรวจสอบให้แน่ใจว่าส่วที่ขั้วอยู่ในตำแหน่งปิดก่อนเชื่อมต่อเข้ากับแหล่งจ่ายไฟ และ/หรือเบรคเตอร์เฟ้ค ยกหรือถือเครื่องมือการถือเครื่องโดยใช้นิ้วหัวที่ส่วที่ หรือเสียบปลั้งไฟฟ้าขณะส่วที่ขั้วเปิดอยู่ อาจนำไปสู่อุบัติเหตุที่ร้ายแรงได้
- ▶ นำเครื่องมือปรับแต่งหรือประแจปากตายออกก่อนเปิดส่วที่ขั้วเครื่องมือไฟฟ้า เครื่องมือหรือประแจปากตายที่วางอยู่กับส่วของเครื่องที่ก้าลังหมุมจะทำให้บุคคลบาดเจ็บได้
- ▶ อย่าเอื้อมไกลเกินไป ตั้งทำยีนที่มั่นคงและวางน้ำหนักให้สมดุลตลอดเวลา ในลักษณะนี้ท่านสามารถควบคุมเครื่องมือไฟฟ้าในสถานการณ์ที่ไม่คาดคิดได้ดีกว่า
- ▶ แต่งกายอย่างเหมาะสม อย่าใส่เสื้อผ้าหลวมหรือสวมเครื่องประดับ เอาหมและเสื้อผ้าออกจากชิ้นส่วนที่

- เคลื่อนที่ เสื้อผ้าหลวม เครื่องประดับ และหม ยาวอาจเข้าไปติดในชิ้นส่วนที่เคลื่อนที่
- ▶ หากเครื่องมือไฟฟ้ามีข้อเชื่อมต่อกับเครื่องดูดฝุ่นหรือเครื่องเก็บผง ให้ตรวจสอบให้แน่ใจว่าได้เชื่อมต่อและใช้งานอย่างถูกต้อง การใช้อุปกรณ์ดูดฝุ่นช่วยลลดอันตรายที่เกิดจากฝุ่นได้
- ▶ เมื่อใช้งานเครื่องบอยครั้งจะเกิดความคุ้นเคย อย่าให้ความคุ้นเคยทำให้ท่านเกิดความชะล่าใจและละเลยกฎเกณฑ์ด้านความปลอดภัยในการใช้งานเครื่อง การทำงานอย่างไม่ระมัดระวังอาจทำให้เกิดการบาดเจ็บอย่างร้ายแรงภายในเสี้ยววินาที

#### การใช้และการดูแลรักษาเครื่องมือไฟฟ้า

- ▶ อย่าฝืนกำลังเครื่องมือไฟฟ้า ใช้เครื่องมือไฟฟ้าที่ถูกต้องตรงตามลักษณะงานของท่าน เครื่องมือไฟฟ้าที่ถูกต้องจะทำงานได้ดีกว่าและปลอดภัยกว่าในระดับสมรรถภาพที่ออกแบบไว้
- ▶ อย่าใช้เครื่องมือไฟฟ้าถ้าส่วที่ขั้วไม่สามารถเปิดปิดได้ เครื่องมือไฟฟ้าที่ไม่สามารถควบคุมการเปิดปิดด้วยส่วที่ขั้วได้ เป็นเครื่องมือไฟฟ้าที่ไม่ปลอดภัยและต้องส่งซ่อมแซม
- ▶ ก่อนปรับแต่งเครื่อง เปลี่ยนอุปกรณ์ประกอบ หรือเก็บเครื่องเข้าที่ ต้องถอดปลั๊กออกจากแหล่งจ่ายไฟ และ/หรือถอดเบรคเตอร์เฟ้คออกจากเครื่องมือไฟฟ้าหากถอดออกได้ มาตรการป้องกันเพื่อความปลอดภัยนี้ช่วยลดความเสี่ยงจากการติดเครื่องโดยไม่ตั้งใจ
- ▶ เมื่อเลิกใช้งานเครื่องมือไฟฟ้า ให้เก็บเครื่องไว้ในที่ที่เด็กหยิบไม่ถึง และไมอนุญาตให้บุคคลที่ไม่คุ้นเคยกับเครื่องหรือบุคคลที่ไม่ได้อ่านคำแนะนำเหล่านี้ใช้เครื่องมือไฟฟ้าเป็นขงอันตรายหากตกอยู่ในมือของผู้ใช้ที่ไม่ได้รับการฝึกฝน
- ▶ บำรุงรักษาเครื่องมือไฟฟ้าและอุปกรณ์ประกอบ ตรวจสอบชิ้นส่วนที่เคลื่อนที่ว่าวางไม่ตรงแนวหรือติดขัดหรือไม่ ตรวจสอบการแตกหักของชิ้นส่วนและสภาพอื่นใดที่อาจมีผลต่อการทำงานของเครื่องมือไฟฟ้า หากชำรุดต้องส่งเครื่องมือไฟฟ้าไปซ่อมแซมก่อนใช้งาน อุบัติเหตุหลายอย่างเกิดขึ้นเนื่องจากดูแลรักษาเครื่องไม่ดีพอ
- ▶ รักษาเครื่องมือตัดให้คมและสะอาด หากบำรุงรักษาเครื่องมือที่มีขอบตัดแหลมคมอย่างถูกต้อง จะสามารถตัดได้ลื่นไม่ติดขัดและควบคุมได้ง่ายกว่า
- ▶ ใช้เครื่องมือไฟฟ้า อุปกรณ์ประกอบ เครื่องมือ และอุปกรณ์อื่นๆ ตรงตามคำแนะนำเหล่านี้ โดยคำนึงถึงเงื่อนไขการทำงานและงานที่จะทำ การใช้เครื่อง

มีไฟฟ้าทำงานที่ต่างไปจากวัตถุประสงค์การใช้งานของเครื่อง อาจนำไปสู่สถานการณ์ที่เป็นอันตรายได้

- ▶ **ดูแลคัมจับและพื้นผิวจับให้แห้ง สะอาด และปราศจากคราบน้ำมันและจาระบี** คัมจับและพื้นผิวจับที่ลื่นทำให้หยิบจับได้ไม่ปลอดภัย และไม่สามารถควบคุมเครื่องมือในสถานการณ์ที่ไม่คาดคิด

#### การบริการ

- ▶ **ส่งเครื่องมือไฟฟ้าของท่านเข้ารับบริการจากช่างซ่อมที่มีคุณสมบัติเหมาะสม โดยใส่อะไหล่ที่เหมือนกันเท่านั้น** ในลักษณะนี้ท่านจะแน่ใจได้ว่าเครื่องมือไฟฟ้าอยู่ในสภาพที่ปลอดภัย

#### คำเตือนเพื่อความปลอดภัยสำหรับเลื่อยตั้งโต๊ะ

##### คำเตือนเกี่ยวกับการป้องกัน

- ▶ **กระบังป้องกันต้องล็อกเข้าที่** กระบังป้องกันต้องอยู่ในสภาพใช้งานได้และติดตั้งอย่างถูกต้อง ต้องซ่อมแซมหรือเปลี่ยนกระบังป้องกันที่หลวม ห้ามนำ หรือทำงานไม่ถูกต้อง
- ▶ **ใช้กระบังป้องกันใบเลื่อย ลิมแยก และอุปกรณ์ป้องกันการตีกลับทุกครั้ง** ที่ทำการตัดผ่านชิ้นงานทั้งชิ้น สำหรับการตัดผ่านชิ้นงานทั้งชิ้นที่ใบเลื่อยตัดผ่านความหนาของชิ้นงานทั้งหมด กระบังป้องกันและอุปกรณ์ความปลอดภัยอื่นๆ จะช่วยลดความเสี่ยงต่อการบาดเจ็บ
- ▶ **ติดตั้งระบบการป้องกันกลับเข้าที่ทันทีหลังเสร็จสิ้นการทำงาน** (เช่น การบาก การตัดร่อง (dado) หรือการหาไม้เข้าเป็นแผ่นบางๆ) ซึ่งจำเป็นต้องถอดกระบังป้องกัน ลิมแยก และ/หรืออุปกรณ์ป้องกันการตีกลับออก กระบังป้องกัน ลิมแยก และอุปกรณ์ป้องกันการตีกลับช่วยลดความเสี่ยงต่อการบาดเจ็บ
- ▶ **ตรวจสอบให้แน่ใจว่าใบเลื่อยจะไม่สัมผัสกระบังป้องกัน ลิมแยก หรือชิ้นงานก่อนเปิดสวิตช์** หากใบเลื่อยสัมผัสสิ่งเหล่านี้โดยไม่ตั้งใจ อาจทำให้เกิดสภาพที่เป็นอันตรายได้
- ▶ **ปรับตั้งลิมแยกตามคู่มือการใช้งาน** ใ้ในคู่มือการใช้งานนี้ การเว้นระยะห่าง ตำแหน่ง และการวางแนวที่ไม่ถูกต้องอาจทำให้ลิมแยกไม่สามารถลดโอกาสที่จะเกิดการตีกลับ
- ▶ **เพื่อให้ลิมแยกและอุปกรณ์ป้องกันการตีกลับทำงาน** ลิมแยกและอุปกรณ์ป้องกันการตีกลับจะทำงานไม่ได้ผลเมื่อตัดชิ้นงานที่มีขนาดเส้นเกินกว่าที่จะชนเข้ากับลิมแยก และอุปกรณ์ป้องกันการตีกลับ ภายใต้เงื่อนไขลิมแยกและอุปกรณ์ป้องกันการตีกลับจะไม่สามารถป้องกันการเกิดการตีกลับ
- ▶ **ใช้ใบเลื่อยที่เหมาะสมสำหรับลิมแยก** เพื่อให้ลิมแยกทำงานได้อย่างถูกต้อง เส้นผ่านศูนย์กลางของใบเลื่อยต้อง

เข้ากันกับลิมแยกที่เหมาะสม และตัวใบเลื่อยต้องบางกว่าความหนาของลิมแยก และความกว้างการตัดของใบเลื่อยต้องมากกว่าความหนาของลิมแยก

##### คำเตือนเกี่ยวกับขั้นตอนการตัด

- ▶ **⚠️ อันตราย: อย่าให้นิ้วหรือมือของท่านเข้าใกล้หรืออยู่ในแนวเดียวกับใบเลื่อยอย่างเด็ดขาด** ในช่วงเวลาที่ขาดความเอาใจใส่หรือการสั่นไหวอาจจุดมือของท่านเข้าหาใบเลื่อย และอาจทำให้ได้รับบาดเจ็บสาหัสได้
- ▶ **ป้อนชิ้นงานเข้าหาใบเลื่อยตรงข้ามกับทิศทางการหมุนเท่านั้น** การป้อนชิ้นงานไปในทิศทางเดียวกับที่ใบเลื่อยหมุนเหนือโต๊ะอาจส่งผลให้ชิ้นงานและมือของท่านถูกจุดเข้าไปในใบเลื่อย
- ▶ **อย่าใช้เกจวัดมุมในแนวระนาบ (mitre gauge) เพื่อป้อนชิ้นงานเมื่อตัดซอย (ripping) อย่างเด็ดขาด และอย่าใช้รั้วซอย (rip fence) เป็นตัวหยุดความยาวเมื่อตัดขวางเฉียง (cross cutting) ด้วยเกจวัดมุมในแนวระนาบ** การใช้รั้วซอยและเกจวัดมุมในแนวระนาบในเวลาเดียวกันเพื่อเคลื่อนนำชิ้นงานจะเพิ่มโอกาสที่ใบเลื่อยตีขัดและเกิดการตีกลับ
- ▶ **เมื่อตัดซอย ให้ใช้แรงป้อนชิ้นงานระหว่างรั้วกับใบเลื่อยเสมอ** ไม้ต้นเมื่อระยะห่างระหว่างรั้วและใบเลื่อยน้อยกว่า 150 มม. และใบปลอกคั้นเมื่อระยะห่างนี้น้อยกว่า 50 มม. อุปกรณ์ "ช่วยทำงาน" จะทำให้มือของท่านอยู่ห่างจากใบเลื่อยในระยะปลอดภัย
- ▶ **ใช้เฉพาะ ไม้ต้นจากบริษัทผู้ผลิตหรือที่สร้างขึ้นตามคำแนะนำเท่านั้น** ไม้ต้นนี้ช่วยให้อายุห่างจากใบเลื่อยอย่างเพียงพอ
- ▶ **อย่าใช้ไม้ต้นที่ชำรุดหรือถูกตัดอย่างเด็ดขาด** ไม้ต้นที่ชำรุดอาจแตกหักและทำให้มือของท่านสั่นไหวเข้าไปในใบเลื่อยได้
- ▶ **อย่าใช้ "มือเปล่า"** ทำงานใดๆ ให้ใช้รั้วซอยหรือเกจวัดมุมในแนวระนาบเพื่อจัดตำแหน่งและเคลื่อนนำชิ้นงานเสมอ "มือเปล่า" หมายถึงการใช้มือของท่านเพื่อหมุนหรือเคลื่อนนำชิ้นงานแทนรั้วซอยหรือเกจวัดมุมในแนวระนาบ การเลื่อยด้วยมือเปล่าจะทำให้ไม่ตรงแนว ตีขัด และเกิดการตีกลับ
- ▶ **อย่าเอื้อมมือไปรอบๆ หรือเหนือใบเลื่อยที่กำลังหมุนอย่างเด็ดขาด** การเข้าถึงชิ้นงานอาจทำให้สัมผัสใบเลื่อยที่กำลังเคลื่อนที่โดยไม่ตั้งใจ
- ▶ **สำหรับชิ้นงานที่ยาวและ/หรือกว้าง ให้หมุนเสริมชิ้นงานตรงด้านหลังและ/หรือด้านข้างของโต๊ะเลื่อยเพื่อให้ชิ้นงานได้ระดับ** ชิ้นงานที่ยาวและ/หรือกว้างมักจะ

หมุนบนขอบโต๊ะ ทำให้สูญเสียการควบคุม ใบเลื่อยติดขัด และเกิดการตีกลับ

- ▶ **ป้อนชิ้นงานด้วยความเร็วสม่ำเสมอ อย่าโค้งงอหรือบิดชิ้นงาน** หากเกิดการติดขัด ให้ปิดสวิตช์เครื่องทันที **ถอดปลั๊กไฟฟ้า** จากนั้นจึงแก้ไขปัญหาคารติดขัด หากชิ้นงานทำให้ใบเลื่อยติดขัด อาจเกิดการตีกลับหรือมอเตอร์หยุดกลางคัน
- ▶ **อย่าโยกย้ายชิ้นวัสดุที่ตัดออกในขณะที่เครื่องเลื่อยกำลังทำงาน** วัสดุอาจติดอยู่ระหว่างรั้วหรือภายในกระบะป้องกันใบเลื่อย และใบเลื่อยอาจจุดนิ้วของท่านเข้าในใบเลื่อย ปิดสวิตช์เครื่องเลื่อยและรอให้ใบเลื่อยหยุดนิ่งก่อนนำวัสดุออกมา
- ▶ **ใช้รั้วเสริมวางชิดด้านบนโต๊ะเมื่อตัดขอยชิ้นงานที่มีความหนาน้อยกว่า 2 มม.** ชิ้นงานบางๆ อาจแทรกติดอยู่ใต้รั้วตัดขอยและทำให้เกิดการตีกลับ

#### การตีกลับและคำเตือนที่เกี่ยวข้อง

การตีกลับคือแรงสะท้อนกะทันหันของชิ้นงานเนื่องจากใบเลื่อยถูกบีบอัด ติดขัด หรือเสียดสีในชิ้นงานไม่ตรงแนวเดียวกันกับใบเลื่อย หรือเมื่อส่วนหนึ่งของชิ้นงานติดแน่นอยู่ระหว่างใบเลื่อยและรั้วตัดขอย หรือวัตถุชิ้นอื่นๆ บ่อยที่สุดในระหว่างการตีกลับคือชิ้นงานจะถูกยกขึ้นจากโต๊ะโดยส่วนท้ายของใบเลื่อย และถูกดันไปยังผู้ใช้เครื่อง การตีกลับเป็นผลจากการใช้เครื่องเลื่อยผิดวัตถุประสงค์ และ/หรือมีสภาพหรือขั้นตอนการทำงานที่ไม่ถูกต้อง และไม่สามารถหลีกเลี่ยงได้โดยเตรียมตัวป้องกันไว้ก่อนอย่างถูกต้องดังต่อไปนี้

- ▶ **อย่ายืนในแนวเดียวกับใบเลื่อยโดยตรงอย่างเด็ดขาด** ให้วางตำแหน่งของลำตัวของท่านไว้ด้านเดียวกับใบเลื่อยและรั้วเสมอ การตีกลับอาจดันชิ้นงานอย่างรวดเร็วไปยังทุกๆ คนที่ยืนอยู่ตรงหน้าและอยู่ในแนวเดียวกับใบเลื่อย
- ▶ **อย่าเอื้อมมือไปรอบๆ หรือเข้าด้านหลังของใบเลื่อยเพื่อดึงหรือหมุนชิ้นงานอย่างเด็ดขาด** การสัมผัสใบเลื่อยโดยไม่ตั้งใจอาจเกิดขึ้นได้ หรือการตีกลับอาจจุดนิ้วของท่านเข้าในใบเลื่อย
- ▶ **อย่าจับและกดชิ้นงานที่ถูกตัดออกเข้าหาใบเลื่อยที่กำลังหมุนอย่างเด็ดขาด** การกดชิ้นงานที่ถูกตัดออกเข้าหาใบเลื่อยจะทำให้เกิดการติดขัดและการตีกลับ
- ▶ **จัดแนวรั้วให้ขนานกับใบเลื่อย** รั้วที่ไม่ตรงแนวจะบีบอัดชิ้นงานเข้ากับใบเลื่อยและทำให้เกิดการตีกลับ
- ▶ **ใช้หวีดันชิ้นงาน (featherboard) เพื่อนำชิ้นงานเข้าหาโต๊ะและรั้วเมื่อไม่ตัดผ่านชิ้นงานทั้งชิ้น** เช่น การตัดบาก การตัดร่อง (dado) หรือการทำไม้เข้าเป็นแผ่น

บาง หวีดันชิ้นงานช่วยควบคุมชิ้นส่วนในกรณีที่เกิดการตีกลับ

- ▶ **หมุนแผ่นกระดานที่มีขนาดใหญ่เพื่อลดความเสี่ยงที่ใบเลื่อยจะถูกบีบอัดและตีกลับ** แผ่นชิ้นงานที่มีขนาดใหญ่มักจะห้อยหอนตามความถ่วงน้ำหนักของตัวเอง ต้องวางตัวหมุนไว้ใต้ทุกส่วนของแผ่นกระดานที่ยื่นออกมาจากด้านบนโต๊ะ
- ▶ **ใช้ความระมัดระวังเป็นพิเศษเมื่อตัดชิ้นงานที่มีดงเป็นตะปุ่มตะป่ำ โกงผิดรูป หรือไม่มีขอบตรงที่จะนำชิ้นงานไปตามเกจวัดมุมในแนวระนาบหรือตามแนวรั้วได้** ชิ้นส่วนที่ผิดรูป เป็นตะปุ่มตะป่ำ หรือบิดงอจะเคลื่อนแคลนและทำให้รอยตัดไม่ตรงแนวกับใบเลื่อย ติดขัด และเกิดการตีกลับ
- ▶ **อย่าตัดชิ้นงานมากกว่าหนึ่งชิ้นโดยเรียงซ้อนกันในแนวตั้งหรือแนวนอนอย่างเด็ดขาด** ใบเลื่อยอาจยกชิ้นงานหนึ่งชิ้นหรือมากกว่าขึ้นมา และทำให้เกิดการตีกลับ
- ▶ **เมื่อสตาร์ทเครื่องเลื่อยอีกครั้งโดยมีใบเลื่อยอยู่ในชิ้นงาน ให้วางใบเลื่อยไว้ตรงกลางในร่องตัดในลักษณะที่ฟันเลื่อยไม่ชนเข้าในวัสดุ** หากใบเลื่อยติดขัด ใบเลื่อยอาจยกชิ้นงานขึ้น และทำให้เกิดการตีกลับเมื่อเครื่องเลื่อยสตาร์ทอีกครั้ง
- ▶ **รักษาใบเลื่อยให้สะอาด คม และมีการปรับตั้งอย่างเพียงพอ** อย่าใช้ใบเลื่อยที่โกงผิดรูป หรือใบเลื่อยที่ฟันแตกหรือหักอย่างเด็ดขาด ใบเลื่อยที่คมและได้รับการปรับตั้งอย่างถูกต้องช่วยลดการติดขัด การสะดุดตัม และการตีกลับ

#### คำเตือนเกี่ยวกับขั้นตอนการทำงานของเลื่อยตั้งโต๊ะ

- ▶ **ปิดสวิตช์เลื่อยตั้งโต๊ะและถอดสายไฟพ่วงออกเมื่อนำแผ่นบิตของใบเลื่อยออก เปลี่ยนใบเลื่อย หรือทำการปรับลิ้มแยก อุปกรณ์ป้องกันการตีกลับ หรือกระบังป้องกันใบเลื่อย และเมื่อปล่อยเครื่องตั้งไว้โดยไม่ดูแล** มาตรการป้องกันล่วงหน้าจะหลีกเลี่ยงอุบัติเหตุ
- ▶ **อย่าปล่อยเลื่อยตั้งโต๊ะทำงานโดยไม่ดูแลอย่างเด็ดขาด** ให้ปิดสวิตช์เครื่อง และอย่าเดินออกจากเครื่องจนกว่าเครื่องจะหยุดนิ่งอยู่กับที่ เครื่องเลื่อยที่ทำงานโดยไม่ดูแลคืออันตรายที่ไม่สามารถควบคุมได้
- ▶ **วางเลื่อยตั้งโต๊ะในบริเวณที่มีแสงไฟสว่างและพื้นที่ราบเรียบที่ท่านสามารถยืนอย่างมั่นคงและสมดุล** ควรติดตั้งเครื่องในพื้นที่ที่มีช่องว่างเพียงพอที่จะจัดการกับขนาดของชิ้นงานของท่านได้อย่างง่ายดาย บริเวณที่คับแคบและมีด และพื้นที่ลื่นและขรุขระนำมาซึ่งอุบัติเหตุ
- ▶ **ทำความสะอาดและเอาขี้เลื่อยออกจากใต้โต๊ะเลื่อย และ/หรืออุปกรณ์เก็บฝุ่นบ่อยๆ** ขี้เลื่อยที่สะสมสามารถติดไฟได้และอาจลุกไหม้เองได้

- ▶ **ต้องยึดเลื่อยตั้งโต๊ะไว้อย่างแน่นหนา** เลื่อยตั้งโต๊ะที่ไม่ได้ยึดไว้อย่างถูกต้องอาจเลื่อนหรือพลิกคว่ำ
- ▶ **เอาเครื่องมือ เศษไม้ ฯลฯ ออกจากโต๊ะก่อนเปิดสวิตช์เลื่อยตั้งโต๊ะ** สิ่งที่ทำให้เสียสมาธิหรือการติดขัดที่อาจเกิดขึ้นอาจเป็นอันตราย
- ▶ **ใช้ใบเลื่อยที่มีขนาดและรูปทรงรูขี้ผึ้งที่ถูกต้องเสมอ (สีเหลี่ยมขนมเบียงกบูนหรือกลม)** ใบเลื่อยที่ไม่เข้าชุดกับอุปกรณ์ติดตั้งของเครื่องเลื่อยจะวิ่งไม่อยู่กึ่งกลางและทำให้สูญเสียการควบคุม
- ▶ **อย่าใช้อุปกรณ์ติดตั้งใบเลื่อยที่ชำรุดหรือไม่ถูกต้อง เช่น หนาแปลก ใบเลื่อย แหวนรอง โบลท์ หรือนอตอย่างเด็ดขาด** อุปกรณ์ติดตั้งเหล่านี้ถูกออกแบบเป็นพิเศษสำหรับเครื่องเลื่อยของท่าน เพื่อทำงานให้ได้ประสิทธิภาพสูงสุดและเพื่อความปลอดภัยในการทำงาน
- ▶ **อย่ายืนบนเลื่อยตั้งโต๊ะอย่างเด็ดขาด อย่าใช้เลื่อยตั้งโต๊ะเป็นเก้าอี้บันได** หากเครื่องมือคว่ำหรือหากล้มล้ม เครื่องมือจะตกโดยไม่ได้ตั้งใจ อาจทำให้ได้รับบาดเจ็บสาหัสได้
- ▶ **ตรวจสอบให้แน่ใจว่าได้ติดตั้งใบเลื่อยโดยให้หมุนไปในทิศทางที่ถูกต้อง** อย่าใช้ลวดเจียรใน แปรงลาด หรือลวดขัดบนเลื่อยตั้งโต๊ะ การติดตั้งใบเลื่อยอย่างไม่ถูกต้องหรือการใช้อุปกรณ์ประกอบที่ไม่ได้แนะนำ อาจทำให้ได้รับบาดเจ็บสาหัสได้

### คำแนะนำเพื่อความปลอดภัยเพิ่มเติม

- ▶ **สวมถุงมือป้องกันอันตรายเมื่อติดตั้งใบเลื่อย** อันตรายจากการบาดเจ็บ
- ▶ **อย่าใช้ใบเลื่อยที่มาจากเหล็กกล้ารอบสูง (High Speed Steel, HSS)** ใบเลื่อยนี้แตกง่าย
- ▶ **ใช้เฉพาะใบเลื่อยที่ตรงตามข้อกำหนดที่ระบุไว้ในคู่มือการใช้งานนี้และบนเครื่องมือไฟฟ้า และได้ผ่านการทดสอบตามมาตรฐาน EN 847-1 และทำเครื่องหมายไว้เท่านั้น**
- ▶ **อย่าใช้เครื่องมือไฟฟ้าโดยไม่ใส่แผ่นแทรกโต๊ะ** เปลี่ยนแผ่นแทรกโต๊ะที่ชำรุด หากไม่ใช้แผ่นแทรกโต๊ะที่มีสภาพสมบูรณ์แล้ว ท่านอาจได้รับบาดเจ็บจากใบเลื่อย
- ▶ **รักษาสถานที่ทำงานให้สะอาด** การผสมผสานของวัสดุเป็นอันตรายอย่างยิ่งฝุ่นละอองโลหะอาจเผาไหม้หรือระเบิดได้
- ▶ **เลือกใบเลื่อยที่เหมาะสมสำหรับวัสดุที่ท่านต้องการตัด**
- ▶ **ใช้เฉพาะใบเลื่อยที่บริษัทผู้ผลิตเครื่องมือแนะนำให้ใช้ และต้องเป็นใบเลื่อยที่เหมาะสมสำหรับวัสดุที่ต้องการตัด**
- ▶ **นำชิ้นงานเข้าหาใบเลื่อยที่กำลังวิ่งอยู่เท่านั้น** มิฉะนั้นจะเกิดอันตรายจากการตีกลับเมื่อใบเลื่อยเกิดติดขัดอยู่ในชิ้นงาน

## สัญลักษณ์

สัญลักษณ์ต่อไปนี้มีความสำคัญต่อการใช้เครื่องมือไฟฟ้าของท่าน กรุณาจดจำสัญลักษณ์และความหมาย การแปลความสัญลักษณ์ได้ถูกต้องจะช่วยให้คุณใช้เครื่องมือไฟฟ้าได้ดีและปลอดภัยกว่า

### สัญลักษณ์และความหมายของสัญลักษณ์



**เอามือออกจากบริเวณตัดขณะเครื่องกำลังวิ่ง**  
อันตรายจากการบาดเจ็บเมื่อไปสัมผัสกับใบเลื่อย



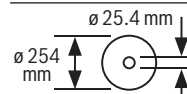
**สวมหน้ากากป้องกันฝุ่น**



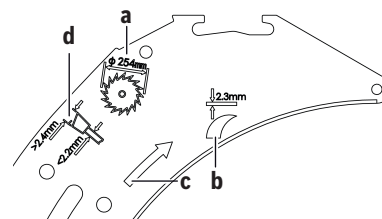
**สวมอุปกรณ์ป้องกันเสียง** การรับฟังเสียงดังอาจทำให้สูญเสียการได้ยิน



**สวมแว่นตาป้องกันอันตราย**



สังเกตขนาดของใบเลื่อย เส้นผ่าศูนย์กลางรูขี้ผึ้งตรงกับแกนเครื่องมือโดยไม่มีช่องหลวม หากจำเป็นต้องใช้ตัวลดขนาดให้ตรวจสอบให้แน่ใจว่าขนาดของตัวลดนั้นตรงกับขนาดหน้าใบ และเส้นผ่าศูนย์กลางรูขี้ผึ้งของใบเลื่อย รวมทั้งเส้นผ่าศูนย์กลางของแกนเครื่องมือ หากเป็นไปได้ให้ใช้ตัวลดขนาดที่จัดส่งมาพร้อมกับใบเลื่อย เส้นผ่าศูนย์กลางใบเลื่อยต้องสอดคล้องกับข้อมูลบนสัญลักษณ์



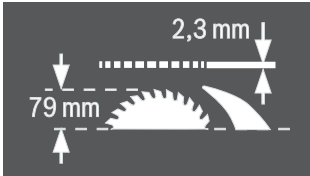
**ก** ใบเลื่อยจะต้องมีขนาดเส้นผ่าศูนย์กลางไม่เกิน 25.4 มม.

**ข** ความหนาของลิ้มแยกคือ 2.3 มม.

**สัญลักษณ์และความหมายของสัญลักษณ์**

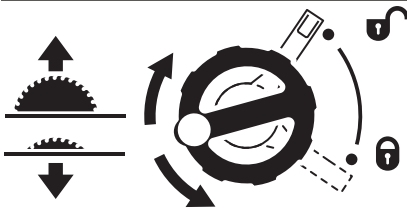
**ค** ทิศทางการตัดของฟัน (ทิศทางของลูกศรบนใบเลื่อย) ต้องตรงกับทิศทางของลูกศรบนลิ้มแยก

**ง** เมื่อเปลี่ยนใบเลื่อย ต้องตรวจสอบให้แน่ใจว่ามีความกว้างการตัดไม่น้อยกว่า 2.4 และความหนาของใบเลื่อยไม่เกิน 2.2 มม. มิฉะนั้นอาจมีความเสี่ยงที่ลิ้มแยกจะติดขัดอยู่ในชิ้นงาน



ความหนาของลิ้มแยกคือ 2.3 มม.

ความสูงชิ้นงานที่เป็นไปได้สูงสุดคือ 79 มม.

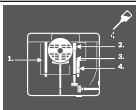


**ด้านซ้าย:**

แสดงทิศทางการหมุนของข้อเหวี่ยงเพื่อลดใบเลื่อย (ตำแหน่งขนย้าย) และยกใบเลื่อย (ตำแหน่งทำงาน)

**ด้านขวา:**

แสดงตำแหน่งของคันล็อคเพื่อล็อคใบเลื่อยและเมื่อปรับมุมเอียงในแนวตั้ง (ใบเลื่อยเอียงได้)



หลอกลวงเครื่องมือไฟฟ้าตามความจำเป็นตรงตำแหน่งที่ระบุ



เครื่องมือไฟฟ้าที่มีระดับความปลอดภัย II มีฉนวนสองชั้นหรือฉนวนเสริม



โดยฉลาก CE ผู้ผลิตยืนยันว่าเครื่องมือไฟฟ้าสอดคล้องกับกฎระเบียบ EU ที่บังคับใช้

**รายละเอียดผลิตภัณฑ์และข้อมูล**

**จำเพาะ**



**อ่านคำเตือนเพื่อความปลอดภัยและคำแนะนำทั้งหมด** การไม่ปฏิบัติตามคำเตือนและคำสั่งอาจเป็นสาเหตุให้ถูกไฟฟ้าดูด เกิดไฟไหม้ และ/หรือได้รับบาดเจ็บอย่างร้ายแรง

กรุณาดูภาพประกอบในส่วนหน้าของคู่มือการใช้งาน

**ประโยชน์การใช้งานของเครื่อง**

เครื่องมือไฟฟ้านี้เป็นเครื่องประจำที่ ใช้สำหรับตัดเป็นแนวตรงทั้งตามยาวและตามขวางในไม้เนื้ออ่อนและไม้เนื้อแข็ง รวมทั้งพาร์ติเคิลบอร์ดและไฟเบอร์บอร์ด สามารถตัดมุมเอียงในแนวนอนจาก  $-60^\circ$  ถึง  $+60^\circ$  และมุมเอียงในแนวตั้งจาก  $-2^\circ$  ถึง  $47^\circ$

เมื่อใช้ใบเลื่อยที่เหมาะสมยังสามารถเลื่อยโปรไฟล์อลูมิเนียมและวัสดุสังเคราะห์ได้อีกด้วย

**ส่วนประกอบที่แสดงภาพ**

ลำดับเลขของส่วนประกอบผลิตภัณฑ์อ้างอิงถึงส่วนประกอบของเครื่องที่แสดงในหน้าภาพประกอบ

- (1) ร่องนำสำหรับแฉงกำหนดแนวขนาน
- (2) มาตรการส่วนสำหรับระยะห่างใบเลื่อยไปยังแฉงกำหนดแนวขนาน
- (3) ฉากหยุดมุม
- (4) ด้ามจับเว้า
- (5) ร่องนำสำหรับฉากหยุดมุม
- (6) กระจับป้องกัน
- (7) ไต้อเลื่อย
- (8) ลิ้มแยก
- (9) ตัวล๊อคการตีกลับ<sup>a)</sup>
- (10) แฉงกำหนดแนวขนาน
- (11) ตัวนำรูปตัว V บนไต้อเลื่อยสำหรับแฉงกำหนดแนวขนาน
- (12) รูสำหรับติดตั้ง
- (13) ด้ามถือ
- (14) ส่วนขยายไต้อเลื่อย
- (15) คลิปยึดสำหรับไต้อเลื่อย GTA 600
- (16) ด้ามหนีบสำหรับส่วนขยายไต้อเลื่อย
- (17) คันล๊อคสำหรับปรับมุมเอียงในแนวตั้ง
- (18) ล็อทหมุนมือ
- (19) ข้อเหวี่ยงเพื่อลดหรือยกใบเลื่อย

- (20) บานพับเพื่อความปลอดภัยสำหรับสวิทช์เปิด-ปิด
- (21) ประแจขันหกเหลี่ยม (2 มม.)
- (22) ประแจขันหกเหลี่ยม (5 มม.)
- (23) ประแจแหวน (23 มม.)
- (24) ไม้ดัน
- (25) สกรูปรับสำหรับปรับแรงหนีบของแผงกำหนดแนวขนาน
- (26) แผ่นแทรกโต๊ะ
- (27) ใบเลื่อย
- (28) แวนขยาย
- (29) รางโปรไฟล์
- (30) ที่ม้วนเก็บสายไฟฟ้า
- (31) คลิปยึดสำหรับจัดเก็บแผงกำหนดแนวขนานเพิ่ม
- (32) ช่องพ่นซี่กับออก
- (33) ข้อต่อท่อดูดออก
- (34) ที่ยึดสำหรับจัดเก็บกระบังป้องกัน
- (35) คันหนีบสำหรับลิ้มแยก
- (36) สกรูหัวจมหกเหลี่ยมสำหรับลิ้มแยก<sup>1)</sup>
- (37) หมุดตำแหน่งสำหรับลิ้มแยก
- (38) ช่องสำหรับแผ่นแทรกโต๊ะ
- (39) คันหนีบสำหรับกระบังป้องกัน
- (40) หมุดนำสำหรับกระบังป้องกัน
- (41) ด้ามหนีบของแผงกำหนดแนวขนาน
- (42) ตัวนำรูปตัว V ของแผงกำหนดแนวขนาน
- (43) แผงกำหนดแนวขนานเพิ่ม
- (44) ชุดยึด "แผงกำหนดแนวขนานเพิ่ม"
- (45) รางนำของฉากหยุดมุม
- (46) ชุดยึด "รางโปรไฟล์"
- (47) สกรูยึดสำหรับช่องพ่นซี่กับออก
- (48) ปุ่มกดสำหรับดึงกลับหมุดนำของตัวล็อคการตีกลับ<sup>2)</sup>
- (49) น็อตยึด
- (50) คันล็อคแกน
- (51) หน้าแปลนยึด
- (52) แกนเครื่องมือ
- (53) หน้าแปลนติดตั้ง
- (54) เข็มซี่มุม (แนวตั้ง)
- (55) มาตราส่วนสำหรับมุมเอียง (แนวตั้ง)
- (56) ลูกบิดล็อคสำหรับมุมเอียงทั้งหมด (แนวนอน)
- (57) เข็มซี่มุมบนฉากหยุดมุม
- (58) เข็มซี่ระยะห่างโต๊ะเลื่อย
- (59) ปุ่มเปิด
- (60) น็อตหัวเป็นสันสำหรับรางโปรไฟล์
- (61) สกรูหัวร่องกากบาทสำหรับปรับตัวหยุด 0°
- (62) ตัวหยุดสำหรับมุมเอียง 0° (แนวตั้ง)
- (63) สกรูสำหรับเข็มซี่มุม (แนวตั้ง)
- (64) สกรูหัวร่องกากบาทสำหรับปรับตัวหยุด 45°
- (65) ตัวหยุดสำหรับมุมเอียง 45° (แนวตั้ง)
- (66) สกรูหัวจมหกเหลี่ยม (5 มม.) ด้านหน้าสำหรับการปรับความขนานของใบเลื่อย
- (67) สกรูหัวจมหกเหลี่ยม (5 มม.) ด้านท้ายสำหรับการปรับความขนานของใบเลื่อย
- (68) สกรูสำหรับเข็มซี่ระยะห่างโต๊ะเลื่อย
- (69) สกรูหัวจมหกเหลี่ยม (5 มม.) สำหรับการปรับความขนานของแผงกำหนดแนวขนาน
- (70) สกรูสำหรับเข็มซี่ระยะห่างแผงกำหนดแนวขนาน
- (71) สกรูปรับสำหรับแผ่นแทรกโต๊ะ
- (72) ที่ยึดสำหรับจัดเก็บชุดยึด "แผงกำหนดแนวขนานเพิ่ม"
- (73) คลิปยึดสำหรับจัดเก็บข้อต่อท่อดูดออก
- (74) ที่ยึดสำหรับจัดเก็บตัวล็อคการตีกลับ<sup>3)</sup>
- (75) น็อตยึดสำหรับประแจแหวนและสำหรับแวนไม้ดัน
- (76) ที่ยึดสำหรับจัดเก็บประแจขันหกเหลี่ยม
- (77) คลิปยึดสำหรับจัดเก็บฉากหยุดมุม

a) รุ่นประเทศ 3 601 M30 5C2

#### ข้อมูลทางเทคนิค

เลื่อยตั้งโต๊ะ		GTS 10 J	GTS 10 J
หมายเลขสินค้า		3 601 M30 5..	3 601 M30 5C2
กำลังไฟฟ้าที่ติดตั้ง	วัตต์	1800	1700
แรงดันไฟฟ้าที่ติดตั้ง	โวลต์	220-240	120
ความถี่	เฮิรตซ์	50/60	60



เลื่อยตัดโต๊ะ		GTS 10 J	GTS 10 J
ความเร็วรอบเดินตัวเปล่า	นาที <sup>1</sup>	3650	3700
การจำกัดกระแสไฟฟ้าเมื่อสตาร์ทเครื่อง		●	●
น้ำหนักตามระเบียบการ EPTA-Procedure 01:2014	กก.	26.2	26.2
ระดับความปลอดภัย		☐/II	☐/II
ขนาด (รวมชิ้นส่วนของเครื่องที่ถอดออกได้)			
กว้าง x ลึก x สูง	มม.	640 x 706 x 330	640 x 706 x 330
<b>ขนาดของใบเลื่อยที่เหมาะสม</b>			
เส้นผ่าศูนย์กลางใบเลื่อย	มม.	254	254
ความหนาใบ	มม.	< 2.2	< 2.2
ความหนาฟันเลื่อย/ตรงที่แต่งฟันเลื่อย ต่ำสุด	มม.	> 2.4	> 2.4
เส้นผ่าศูนย์กลางรูปประกอบ	มม.	25.4	25.4

ขนาดชิ้นงานสูงสุด: (ดู "ขนาดชิ้นงานสูงสุด", หน้า 90)

ค่าที่ให้นี้ใช้ได้กับแรงดันไฟฟ้าอิมินอล [U] 230 โวลต์ค่าเหล่านี้ อาจเปลี่ยนแปลงไปสำหรับแรงดันไฟฟ้าที่แตกต่างกัน และโมเดลที่ผลิตสำหรับเฉพาะประเทศ

## การติดตั้ง

- ▶ **หลีกเลี่ยงอย่าให้เครื่องติดขึ้นเองโดยไม่ตั้งใจ ขณะติดตั้งและเมื่อทำการปรับแต่งใดๆ ที่เครื่องมือไฟฟ้า ต้องไม่ต่อปลั๊กไฟฟ้าเข้ากับแหล่งจ่ายไฟฟ้าหลัก**

### รายการสิ่งของที่จัดส่ง

ก่อนใช้เครื่องทำงานเป็นครั้งแรก ให้ตรวจสอบว่าชิ้นส่วนทั้งหมดที่ระบุด้านล่างนี้ได้จัดส่งมาด้วยหรือไม่:

- เลื่อยตัดโต๊ะพร้อมใบเลื่อย (27) และลิ้มแยก (8) ติดตั้งมาแล้ว
- ฉากหุ้มมุม (3)
- รางโปรไฟล์ (29)
- ชุดยึด "รางโปรไฟล์" (46) (เพลดน้า น็อตหัวเป็นสัน สกรู ประเก็นวงแหวน)
- แผงกำหนดแนวขนาน
- แผงกำหนดแนวขนานเพิ่ม (43)
- ชุดยึด "แผงกำหนดแนวขนานเพิ่ม" (44) (สกรูยึด 3 ตัว ประเก็นวงแหวน 3 ชิ้น นอตปีก 3 ตัว)
- กระบังป้องกัน (6)
- ตัวล็อคการตีกลับ (9) (รุ่นประเทศ 3 601 M30 5C2 )

- ประแจขันทกเหลี่ยม (22)
- ประแจขันทกเหลี่ยม (21)
- ประแจแหวน (23)
- ไม้ดัด (24)
- แขนงแทรกโต๊ะ (26)
- ข้อต่อท่อดูดออก (33)

**หมายเหตุ:** ตรวจสอบเครื่องมือไฟฟ้าเพื่อหาจุดชำรุดที่อาจมีก่อนใช้เครื่องมือไฟฟ้าต่อไปต้องตรวจสอบอุปกรณ์ป้องกันอันตรายว่าทำงานอย่างถูกต้องหรือไม่ ส่วนชำรุดเล็กน้อยใดๆ ต้องได้รับการตรวจสอบอย่างละเอียดถี่ถ้วนเพื่อจะมั่นใจว่าเครื่องจะทำงานได้อย่างไม่มีข้อบกพร่อง ตรวจสอบชิ้นส่วนที่เคลื่อนไหวว่าทำงานอย่างถูกต้องและติดขัดหรือไม่ หรือมีชิ้นส่วนเสียหายหรือไม่ ชิ้นส่วนทั้งหมดต้องติดตั้งอย่างถูกต้องและตรงตามเงื่อนไขทั้งหมดเพื่อให้แน่ใจว่าจะทำงานได้อย่างไม่ผิดพลาด ท่านต้องส่งเครื่องไปยังโรงซ่อมที่เชี่ยวชาญและเป็นที่ยอมรับเพื่อทำการซ่อมแซมหรือเปลี่ยนอุปกรณ์ป้องกันอันตรายและชิ้นส่วนที่เสียหายอย่างถูกต้อง

### การติดตั้งส่วนประกอบแต่ละชิ้น

- นำชิ้นส่วนทั้งหมดที่จัดส่งมาออก จากหีบห่ออย่างระมัดระวัง
- นำวัสดุหีบห่อทั้งหมดออกจากเครื่องมือไฟฟ้าและอุปกรณ์ประกอบที่จัดส่งมา
- ตรวจสอบให้แน่ใจว่าได้เอาวัสดุบรรจุภัณฑ์ได้สล็อกมอเตอร์ออกมาแล้ว

ชิ้นส่วนของเครื่องต่อไปนี้ถูกยึดกับตัวเรือนโดยตรง: ไม้ดัน (24) ประแจแหวน (23) ประแจขันทกเหลี่ยม (22) และ (21) แฉงกำหนดแนวขนาน (10) ฉากหตุคมุม (3) ข้อต่อท่อคูดออก (33) แฉงกำหนดแนวขนานเพิ่ม (43) พรอมชุดยึด (44) กระจบงบองกัน (6)

- หากท่านตองไขชิ้นลวนของเครื่องขึ้นไคชิ้นหนึ่ง ให้อาออกจากตำแหน่งจัดเก็บอยางระมัดระวัง

#### การจัดตำแหน่งลิมแยก (ดูภาพประกอบ a1-a2)

**หมายเหตุ:** หากจำเป็น ให้อ้าความสะอาดชิ้นลวนทั้งหมดที่จะติดตั้งก่อนจัดวางตำแหน่ง

- หมุนข้อเหวี่ยง (19) ตามเข็มนาฬิกาจนสุดเพื่อให้อะไหล่ (27) อยูในตำแหน่งสูงสุดเหนือไค้เลื่อย
- คลายคันทัน (35) ออก  
หรือ  
รุ่นประเทศ 3 601 M30 5C2 : คลายสกรูทวมทกเหลี่ยม (36) ออกด้วยประแจขันทกเหลี่ยม (22)
- เลื่อนลิมแยก (8) ไปในทิศทางคันทัน (35) จนสามารถดึงขึ้นด้านบน
- ดึงลิมแยกทงหมดขึ้นด้านบนจนอยูในตำแหน่งเหนือกึ่งกลางใบเลื่อยพอดี
- ให้อ้าคันทัน (37) ขบเข้ในรูคานลางของลิมแยก และดึงคันทัน (35) หรือ ขันสกรูทวมทกเหลี่ยม (36) กลับให้อ้านอีกครั้ง

#### การติดตั้งแผ่นแทรกไค้ (ดูภาพประกอบ b)

- เกี่ยวแผ่นแทรกไค้ (26) เข้ในช่องคานท้าย (38) ของช่องเครื่อง
  - จับแผ่นแทรกไค้ลง
  - กดบนแผ่นแทรกไค้จนแผ่นขบเข้ตรงคานหน้าในช่องเครื่องมือ
- คานหน้าของแผ่นแทรกไค้ (26) จะตองราบเบ้ระดับเดียวกันหรืออยูด้ากว่าไค้เลื่อยเล็กน้อย คานท้ายจะตองราบเบ้ระดับเดียวกันหรืออยูเหนือไค้เลื่อยเล็กน้อย

#### การติดตั้งกระจบงบองกัน (ดูภาพประกอบ c1-c2)

**หมายเหตุ:** ติดตั้งกระจบงบองกันเฉพาะเมื่อลิมแยกอยูในตำแหน่งคานบนสุดเหนือกึ่งกลางใบเลื่อยพอดี (ดูภาพประกอบ a2) อยาติดตั้งกระจบงบองกันเมื่อลิมแยกอยูในตำแหน่งคานล่าง (สภาพจัดล่งจากโรงงานหรือตำแหน่งเลื่อยร่ง) (ดูภาพประกอบ a1)

- คลายคันทัน (39) ออกและถอดกระจบงบองกัน (6) ออกจากที่ยึด (34)
- จับการคใบเลื่อย (รางโลหะคานบน) ของกระจบงบองกัน (6) ให้อ้านด้วยมือขางหนึ่ง และเลื่อนคันทัน (39) ขึ้นด้วยมืออีกขางหนึ่ง

- ดันหมุดนำ (40) ไปคานหลังลงในร่งบนลิมแยก (8)
  - เลื่อนกระจบงบองกัน (6) ลงจนการ์ดใบเลื่อย (รางโลหะคานบน) ขนานกับพื้นผิวไค้เลื่อย (7)
  - ดันคันทัน (39) ลง คันทันตองขบเข้อยางรูสึกไค้และไดอินเสียง กระจบงบองกัน (6) ตองถูกติดตั้งอยางแนหนาและปลอดภัย
- ▶ ก่อนใชงานแต่ละครั้ง ให้อ้าตรวจสอบวาระบงบองกันเคลื่อนไหวโดยอยางถูกต้อง อยาใชเครื่องมือไฟฟาหากกระจบงบองกันไมสามารถเคลื่อนไหวโดยอยางอิสระและไมปิดหนี

#### การติดตั้งแฉงกำหนดแนวขนาน (ดูภาพประกอบ d)

ท่านสามารถวางแฉงกำหนดแนวขนาน (10) ไดทั้งทางขายหรือทางขวาของใบเลื่อย

- คลายคันทัน (41) ของแฉงกำหนดแนวขนาน (10) ออก ใบลักษณะนี้ตัวนารูปตัว V (42) จะถูกปลด
- ในขั้นแรก ให้อ้าแฉงกำหนดแนวขนานโดยให้อ้าตัวนารูปตัว V อยูในร่งตัวนำ (11) ของไค้เลื่อย จากนั้นจึงจัดแฉงกำหนดแนวขนานให้อ้าในร่งนำคานหน้า (1) ของไค้เลื่อย ตอนนี้อ้าสามารถเลื่อนแฉงกำหนดแนวขนานไดอยางอิสระ
- เมื่อตองการลอคแฉงกำหนดแนวขนานให้อ้าคันทัน (41) ลง

#### การติดตั้งแฉงกำหนดแนวขนานเพิ่ม (ดูภาพประกอบ e)

สำหรับการเลื่อยชิ้นงานแคบและการเลื่อยมุมเฉียงในแนวตั้ง ท่านตองติดตั้งแฉงกำหนดแนวขนานเพิ่ม (43) เข้กับแฉงกำหนดแนวขนาน (10) แฉงกำหนดแนวขนานเพิ่มสามารถติดตั้งทางขายหรือทางขวาเข้กับแฉงกำหนดแนวขนาน (10) ไดตามตองการ

สำหรับการติดตั้งให้อ้าชุดยึด "แฉงกำหนดแนวขนานเพิ่ม" (44) (สกรูยึด 2 ตัว ประเก้วงแหวน 2 ชิ้น น็อตปิก 2 ตัว)

- ใสสกรูยึดผ่านรูคานขางในแฉงกำหนดแนวขนาน (10)
- หัวของสกรูทำหน้าที่เป็นตัวนำสำหรับแฉงกำหนดแนวขนานเพิ่ม
- เลื่อนแฉงกำหนดแนวขนานเพิ่ม (43) ไปเหนือหัวของสกรูยึด
- ประกอบประเก้วงแหวนเข้กับสกรูยึดและยึดให้อ้านด้วยน็อตปิก

#### การติดตั้งฉากหตุคมุม (ดูภาพประกอบ f1-f2)

- สอดรางนำ (45) ของฉากหตุคมุม (3) เข้ในร่งนำ (5) ร่งใดร่งหนึ่งของไค้เลื่อยที่ท้าวสำหรับจุดประล่งคนี้
- เพื่อให้อ้าจัดวางชิ้นงานขนาดยาวไดงายขึ้น ท่านสามารถขยายฉากหตุคมุมด้วยรางโปรไฟล์ (29)

- หากต้องการ ให้ติดตั้งรางไปโรล์เข้ากับฉากหยุดมุมด้วยชุดยึด (46)

### การดูดฝุ่น/ซีลื้อย

ฝุ่นที่ได้จากวัสดุ เช่น เคลือบผิวที่มีสารตะกั่ว ไม้ยางประเภทแร่ธาตุ และโลหะ อาจเป็นอันตรายต่อสุขภาพ การสัมผัสหรือการหายใจเอาฝุ่นเข้าไปอาจทำให้เกิดปฏิกิริยาแพ้ฝุ่น และ/หรือนำมาซึ่งโรคติดเชื้อระบบหายใจแก่ผู้ใช้เครื่องหรือผู้ที่ยืนอยู่ใกล้เคียง

ฝุ่นบางประเภท เช่น ฝุ่นไม้โอ๊ก หรือไม้บีช นับเป็นสารที่ทำให้เกิดมะเร็ง โดยเฉพาะอย่างยิ่งเมื่อผสมกับสารเติมแต่งเพื่อบำบัดไม้ (โครเมต ผลิตภัณฑ์รักษาเนื้อไม้) สำหรับวัสดุที่มีแอลเบสทดสอบให้ผู้เชี่ยวชาญทำงานเท่านั้น

- ใช้ระบบดูดฝุ่นออกที่เหมาะสมกับประเภทวัสดุ มากเท่าที่จะทำได้
- จัดสถานที่ทำงานให้มีภาวะระบายอากาศที่ดี
- ขอแนะนำให้สวมหน้ากากป้องกันการติดเชื้อที่มีระดับ-ไลกรอง P2

ปฏิบัติตามกฎข้อบังคับสำคัญอื่นๆ ที่เกี่ยวกับวัสดุชิ้นงานที่บังคับใช้ในประเทศของท่าน

อุปกรณ์ดูดฝุ่น/ซีลื้อยอาจอุดตันด้วยฝุ่น ซีลื้อย หรือสะเก็ดชิ้นงาน

- ปิดสวิทช์เครื่อง และดึงปลั๊กไฟออกจากเต้าเสียบ
- รอจนใบเลื่อยหยุดสนิท
- หาสาเหตุของการอุดตันและทำการแก้ไข

#### ▶ ป้องกันการสะสมของฝุ่นในสถานที่ทำงาน

ฝุ่นสามารถถูกไหม้อย่างง่ายดาย

#### ▶ เพื่อป้องกันการเกิดไฟไหม้เมื่อเลื่อยอะลูมิเนียม ให้เทียงฝุ่นในช่องพ่นซีลื้อยออก และอย่าใช้การดูดฝุ่น/ซีลื้อย

#### การเทียงฝุ่นในช่องพ่นซีลื้อยออก (ดูภาพประกอบ g)

ท่านสามารถเทียงสะเก็ดชิ้นงานและเศษตัดชิ้นใหญ่ออกจากช่องพ่นซีลื้อยออก (32) ได้

- ปิดสวิทช์เครื่องและดึงปลั๊กไฟออกจากเต้าเสียบ
- รอจนใบเลื่อยหยุดสนิท
- คลายสกรูยึด (47) ออกด้วยประแจขันหกเหลี่ยม (22)
- ดึงช่องพ่นซีลื้อยออก (32) ออกมาและเทียงสะเก็ดชิ้นงานและเศษตัด
- ติดตั้งช่องพ่นซีลื้อยออกกลับเข้าที่บนเครื่องมือไฟฟ้า

#### การดูดฝุ่นด้วยเครื่องดูดฝุ่นภายนอก (ดูภาพประกอบ h)

ใช้ข้อต่อท่อดูดออก (33) ที่จัดส่งมาเพื่อเชื่อมต่อเครื่องดูดฝุ่นเข้ากับช่องพ่นซีลื้อยออก (32)

- เลียบข้อต่อท่อดูดออก (33) และท่อดูดฝุ่นเข้าให้แน่น

เครื่องดูดฝุ่นต้องมีลักษณะการใช้งานที่เหมาะสมกับประเภทวัสดุชิ้นงาน

ในกรณีดูดฝุ่นแห้งที่เป็นอันตรายต่อสุขภาพอย่างยิ่งหรืออาจก่อให้เกิดมะเร็งได้ ให้ใช้เครื่องดูดฝุ่นพิเศษ

#### การติดตั้งแบบประจำที่หรือแบบคล่องตัว

- ▶ เพื่อควบคุมเครื่องไฟได้อย่างปลอดภัย ก่อนใช้งานต้องติดตั้งเครื่องบนพื้นผิวที่มั่นคงและราบเสมอกัน (ต. ย. เช่น โต๊ะทำงานของช่าง)

#### การติดตั้งบนพื้นที่ทำงาน (ดูภาพประกอบ i)

- ยึดเครื่องมือไฟฟ้าเข้ากับพื้นผิวทำงานด้วยสกรูยึดที่เหมาะสม สำหรับการยึดให้ใช้รู (12)

#### การติดตั้งบนโต๊ะทำงาน มอช (ดูภาพประกอบ j)

โต๊ะทำงานของ Bosch (ต. ย. เช่น GTA 600) มีขาปรับระดับความสูงได้ทำให้สามารถค้ำหนุนเครื่องมือไฟฟ้าได้อย่างมั่นคงบนทุกพื้นผิว

- ▶ อ่านค่าเตือนเพื่อความปลอดภัยและคำสั่งทั้งหมดที่แนบมากับโต๊ะเลื่อย การไม่ปฏิบัติตามค่าเตือนเพื่อความปลอดภัยและคำสั่งอาจเป็นสาเหตุให้ถูกไฟฟ้าดูด เกิดไฟไหม้ และ/หรือได้รับบาดเจ็บอย่างร้ายแรง

- ▶ ต่อโต๊ะทำงานอย่างถูกต้องก่อนติดตั้งเครื่องมือไฟฟ้า จำเป็นต้องต่อให้เรียบร้อยถูกต้องเพื่อหลีกเลี่ยงอันตรายจากการลมนครว่า

- ติดตั้งเครื่องมือไฟฟ้าในตำแหน่งขนย้ายบนโต๊ะทำงาน

#### การเปลี่ยนใบเลื่อย (ดูภาพประกอบ k1-k4)

- ▶ ดึงปลั๊กไฟออกจากเต้าเสียบก่อนปรับแต่งเครื่อง

- ▶ สวมถุงมือป้องกันอันตรายเมื่อติดตั้งใบเลื่อย อันตรายจากการบาดเจ็บ

- ▶ ใช้เฉพาะใบเลื่อยที่มีความเร็วสูงสุดที่อนุญาตสูงกว่าความเร็วรอบตัวเปล่าของเครื่องมือไฟฟ้า

- ▶ ใช้เฉพาะใบเลื่อยที่ตรงตามข้อกำหนดที่ระบุไว้ในคู่มือการใช้งานนี้และบนเครื่องมือไฟฟ้า และได้ผ่านการทดสอบตามมาตรฐาน EN 847-1 และทำเครื่องหมายไว้เท่านั้น

- ▶ ใช้เฉพาะใบเลื่อยที่บริษัทผู้ผลิตเครื่องมือแนะนำให้ใช้ และต้องเป็นใบเลื่อยที่เหมาะสมสำหรับเลื่อยวัสดุที่ต้องการตัด

- ▶ อย่าใช้ใบเลื่อยที่ทำจากเหล็กกล้าความเร็วสูง (High Speed Steel, HSS) ใบเลื่อยนี้แตกง่าย

### การถอดใบเลื่อย

- หมุนข้อเหวี่ยง (19) ตามเข็มนาฬิกาจนสุดเพื่อให้ใบเลื่อย (27) อยู่ในตำแหน่งสูงสุดเหนือโต๊ะเลื่อย
- เบ็ดคันหนีบ (39) และดึงกระบังป้องกัน (6) ออกจากร่องบนลิ้มแยก (8)
- เพิ่มเติมสำหรับรุ่นประเทศ 3 601 M30 5C2 : กดปุ่มกด (48) เข้าหากันและดึงตัวล็อกการตีกลับ (9) ออกจากรูในลิ้มแยก (8)
- ไขไขควงยกแผ่นแทรกโต๊ะ (26) ตรงด้านหน้าขึ้นและถอดออกจากช่องเครื่องมือ
- หมุนน็อตยึด (49) ด้วยประแจแหวน (23) และในขณะที่เดียวกันให้ดึงคันล็อกแกน (50) จนขบเข้าล็อก
- ดึงคันล็อกแกนไว้และขันน็อตยึดออกโดยหมุนทวนเข็มนาฬิกา
- ถอดหน้าแปลนยึด (51) ออก
- ถอดใบเลื่อย (27) ออก

### การติดตั้งใบเลื่อย

ก่อนการประกอบให้ทำความสะอาดชิ้นส่วนที่จะติดตั้งทั้งหมด หากจำเป็น

- สวมใบเลื่อยใหม่เข้าบนหน้าแปลนติดตั้ง (53) ของแกนเครื่องมือ (52)
- หมายเหตุ:** อย่าไขใบเลื่อยที่มีขนาดเล็กเกินไป ระยะห่างในแนวรัศมีระหว่างใบเลื่อยและลิ้มแยกสูงสุดต้องไม่เกิน 3 - 8 มม.

#### ► เมื่อติดตั้งใบเลื่อยให้ตรวจสอบให้แน่ใจว่าทิศทางการตัดของฟัน (ทิศทางการถูกรบนใบเลื่อย) ตรงกับทิศทางการสกรบนลิ้มแยก!

- ประกอบหน้าแปลนยึด (51) และน็อตยึด (49) เข้า
- หมุนน็อตยึด (49) ด้วยประแจแหวน (23) และในขณะที่เดียวกันให้ดึงคันล็อกแกน (50) จนขบเข้าล็อก
- ขันน็อตยึดตามเข็มนาฬิกาเข้าให้แน่น
- ใส่แผ่นแทรกโต๊ะ (26) เข้าอีกครั้ง
- ติดตั้งกระบังป้องกัน (6) อีกครั้ง
- เพิ่มเติมสำหรับรุ่นประเทศ 3 601 M30 5C2 : ติดตั้งตัวล็อกการตีกลับ (9) อีกครั้ง

### การปฏิบัติงาน

#### ► ดึงปลั๊กไฟออกจากเต้าเสียบก่อนปรับแต่งเครื่อง

### ตำแหน่งขนย้ายและตำแหน่งทำงานของใบเลื่อย

#### ตำแหน่งขนย้าย

- ถอดกระบังป้องกัน (6) ออก ถอดแผ่นแทรกโต๊ะ (26) ออก และจัดวางลิ้มแยก (8) ในตำแหน่งต่ำสุด ใส่แผ่นแทรกโต๊ะ (26) เข้าอีกครั้ง
- หมุนข้อเหวี่ยง (19) ทวนเข็มนาฬิกาจนพื้นของใบเลื่อย (27) อยู่ใต้โต๊ะเลื่อย (7)
- เลื่อนส่วนขยายโต๊ะเลื่อย (14) เข้าด้านในทั้งหมด กดตามหนีบ (16) ลง ในลักษณะนี้ส่วนขยายโต๊ะเลื่อยจะถูกล็อก

#### ตำแหน่งทำงาน

- จัดวางลิ้มแยก (8) ในตำแหน่งบนสุดเหนือกึ่งกลางใบเลื่อยพอดี ใส่แผ่นแทรกโต๊ะ (26) เข้า และติดตั้งกระบังป้องกัน (6)
- หมุนข้อเหวี่ยง (19) ตามเข็มนาฬิกาจนพื้นบนของใบเลื่อย (27) อยู่เหนือชิ้นงานประมาณ 3 - 6 มม.

### การปรับมุมเอียงในแนวตั้งและแนวนอน

เพื่อให้แน่ใจว่าจะตัดชิ้นงานได้อย่างแม่นยำ หลังการใช้งานหนักท่านต้องตรวจสอบการปรับพื้นฐานของเครื่องมือไฟฟ้าและปรับตั้ง หากจำเป็น

#### การปรับมุมเอียงในแนวตั้ง (ใบเลื่อย) (ดูภาพประกอบ A) มุมเอียงในแนวตั้งสามารถปรับตั้งได้ในช่วงระหว่าง -2° ถึง 47°

- คลายคันล็อก (17) ออกในทิศทวนเข็มนาฬิกา

**หมายเหตุ:** หากคลายคันล็อกออกจนหมด แรงโน้มถ่วงจะทำให้ใบเลื่อยเอียงไปในตำแหน่งที่เท่ากับประมาณ 30°

- ดึงหรือดันล้อหมุนมือ (18) ไปตาม slotted link จนเข็มชี้มุม (54) แสดงมุมเอียงในแนวตั้งที่ต้องการ
- จับล้อหมุนมือไว้ในตำแหน่งนี้และยึดคันล็อก (17) กลับให้แน่นอีกครั้ง

**สำหรับการปรับมุมมาตรฐานในแนวตั้ง 0° และ 45° อย่างรวดเร็วและแม่นยำ มีตัวหยุด ((62), (65)) ที่ตั้งมาจากโรงงาน**

#### การปรับมุมเอียงในแนวนอน (ฉากหยุดมุม) (ดูภาพประกอบ B)

มุมเอียงในแนวนอนสามารถปรับตั้งได้ในช่วงระหว่าง 60° (ด้านซ้าย) ถึง 60° (ด้านขวา)

- คลายลูกบิดล็อก (56) ออกจากถูกขันแน่น
- หมุนฉากหยุดมุมจนเข็มชี้มุม (57) แสดงมุมเอียงที่ต้องการ
- ขันลูกบิดล็อก (56) เข้าอีกครั้ง

### การเพิ่มขนาดของโต๊ะเลื่อย

ต้องหมุนส่วนปลายของชิ้นงานที่หนักและมีขนาดยาวที่ลอยอยู่

#### ส่วนขยายโต๊ะเลื่อย (ดูภาพประกอบ C)

ส่วนขยายโต๊ะเลื่อย (14) เพิ่มความกว้างของโต๊ะเลื่อย (7) ทางด้านขวาได้สูงสุด 625 มม.

- ดึงค้ำหนีบ (16) ของส่วนขยายโต๊ะเลื่อยขึ้นด้านบนทั้งหมด
- ดึงส่วนขยายโต๊ะเลื่อย (14) ออกตามความยาวที่ต้องการ
- กดค้ำหนีบ (16) ลง ในลักษณะนี้ส่วนขยายโต๊ะเลื่อยจะถูกล็อก

#### การปรับแ่งกำหนดแนวขนาน

แ่งกำหนดแนวขนาน สามารถจัดวางได้ทั้งทางซ้าย (มาตราส่วนสีน้ำเงิน) หรือทางขวา (มาตราส่วนสีเงิน) ของใบเลื่อย เครื่องหมายในแ่งขยาย (28) แสดงระยะห่างที่ตั้งไว้ระหว่างแ่งกำหนดแนวขนานและใบเลื่อยบนมาตราส่วน (2) จัดวางแ่งกำหนดแนวขนานบนด้านที่ต้องการของใบเลื่อย

#### การปรับแ่งกำหนดแนวขนานเมื่อไม่ดึงโต๊ะเลื่อยออก

- คลายค้ำหนีบ (41) ของแ่งกำหนดแนวขนาน ออกเลื่อนแ่งกำหนดแนวขนานจนเครื่องหมายในแ่งขยาย (28) แสดงระยะห่างจากใบเลื่อยที่ต้องการ เมื่อไม่ดึงโต๊ะเลื่อยออกให้ใช้เครื่องหมายด้านล่างของมาตราส่วนสีเงิน (2)
- เมื่อต้องการล็อกให้กดค้ำหนีบ (41) ลงอีกครั้ง

#### การปรับแ่งกำหนดแนวขนานเมื่อดึงโต๊ะเลื่อยออก (ดูภาพประกอบ D)

- จัดวางแ่งกำหนดแนวขนานบนด้านขวาของใบเลื่อยเลื่อนแ่งกำหนดแนวขนานจนเครื่องหมายในแ่งขยาย (28) แสดงบนมาตราส่วนล่างตัวเลข 26 ซม. เมื่อต้องการล็อกให้กดค้ำหนีบ (41) ลงอีกครั้ง
- ดึงค้ำหนีบ (16) ของส่วนขยายโต๊ะเลื่อยขึ้นด้านบนทั้งหมด
- ดึงส่วนขยายโต๊ะเลื่อย (14) ออกมาด้านนอกจนเข้าซี่ระยะห่าง (58) แสดงระยะห่างจากใบเลื่อยที่ต้องการบนมาตราส่วนด้านบน
- กดค้ำหนีบ (16) ลง ในลักษณะนี้ส่วนขยายโต๊ะเลื่อยจะถูกล็อก

#### การปรับแ่งกำหนดแนวขนานเพิ่ม (ดูภาพประกอบ E)

สำหรับการเลื่อยชิ้นงานแคบและการเลื่อยมุมเฉียงในแนวตั้ง ทานต้องติดตั้งแ่งกำหนดแนวขนานเพิ่ม (43) เข้ากับแ่งกำหนดแนวขนาน

แ่งกำหนดแนวขนานเพิ่มสามารถติดตั้งทางซ้ายหรือทางขวา เข้ากับแ่งกำหนดแนวขนาน ได้ตามต้องการ

ขณะเลื่อย ชิ้นงานอาจเกิดติดขัดอยู่ระหว่างแ่งกำหนดแนวขนานและใบเลื่อย ถูกใบเลื่อยส่วนขึ้นเกี่ยวจับและเหวี่ยงออกไป

ดังนั้นจึงควรปรับตั้งแ่งกำหนดแนวขนานเพิ่มในลักษณะให้ตอนท้ายของแ่งอยู่ระหว่างพื้นหน้าของใบเลื่อยและขอบด้านหน้าของลิมแยก

- สำหรับการปรับตั้ง ให้คลายน็อตปีกทั้งหมดของชุดยึด (44) ออก และเลื่อนแ่งกำหนดแนวขนานเพิ่มจนเข้าเพียงสลักฐานหน้าสองตัวเท่านั้นสำหรับยึด
- ยึดน็อตปีกกลับให้แน่นอีกครั้ง

#### การปรับลิมแยก

ลิมแยก (8) ช่วยป้องกันใบเลื่อย (27) ไม่ให้ตัดขาดในร่องตัด มีฉะนั้นจะเกิดความเสียหายจากการตีกลับหากใบเลื่อยถูกบีบอัดอยู่ในชิ้นงาน

ดูแลให้ลิมแยกได้รับการปรับอย่างถูกต้องเสมอ:

- ระยะห่างในแนวรัศมีระหว่างใบเลื่อยและลิมแยกสูงสุดต้องไม่เกิน 3 - 8 มม.
- ความหนาของลิมแยกต้องน้อยกว่าความกว้างการตัดและมากกว่าความหนาของใบเลื่อย
- ลิมแยกต้องอยู่ในแนวเดียวกันกับใบเลื่อยเสมอ
- สำหรับการตัดปกติ ลิมแยกต้องอยู่ในตำแหน่งสูงสุดเท่าที่เป็นไปได้เสมอ

#### การปรับความสูงของลิมแยก (ดูภาพประกอบ F)

สำหรับการเลื่อยร่อง ต้องปรับความสูงของลิมแยก

▶ ใช้เครื่องมือไฟฟ้าสำหรับช่างะร่องหรือทำรอยบากร่วมกับอุปกรณ์ป้องกันที่เหมาะสมเท่านั้น (ค. ย. เช่น กระบังป้องกันทรงอุโมงค์ หัวตีนม)

- เบ็ดคั้นหนีบ (39) และดึงกระบังป้องกัน (6) ออกจากร่องบนลิมแยก (8)

สำหรับการป้องกันไม่ให้กระบังป้องกันเสียหาย ให้จัดเก็บไว้ในที่ยึด (34) ที่ให้มาบนตัวเรือน (ดูภาพประกอบ O1 ด้วย)

- เพิ่มเติมสำหรับรุ่นประเทศ 3 601 M30 5C2 : กดปุ่มกด (48) เข้าหากันและดึงตัวล็อกการตีกลับ (9) ออกจากรูในลิมแยก (8)

สำหรับการจัดเก็บตัวล็อกการตีกลับ ให้ยึดไว้ในที่ยึด (74) ที่ให้มาบนตัวเรือน (ดูภาพประกอบ O1 ด้วย)

- หมุนข้อเหวี่ยง (19) ตามเข็มนาฬิกาจนสุดเพื่อให้ใบเลื่อย (27) อยู่ในตำแหน่งสูงสุดเหนือโต๊ะเลื่อย
- คลายค้ำหนีบ (35) ออก หรือ

รูปประเทศ **3 601 M30 5C2** : คลายสกรูหัวจมหกเหลี่ยม (36) ออกด้วยประแจขันหกเหลี่ยม (22)

- ดึงลิ้มแยกออกจากหมุด (37) (ดึงคันหนีบ (35) ออกด้านนอกเล็กน้อย) และดึงลิ้มแยก (8) ลงจนสุด
- ปลดปล่อยให้หมุดทั้งสอง (37) ขบเข้าในรูด้านบนที่ลิ้มแยกและขันคันหนีบ (35) กลับให้แน่นอีกครั้ง

### การเริ่มต้นปฏิบัติงาน

#### ▶ ให้สังเกตแรงดันไฟฟ้า! แรง

ดันไฟฟ้าจากแหล่งจ่ายไฟฟ้าต้องมีค่าตรงกับค่าแรงดันไฟฟ้าที่ระบุไว้บนแผ่นป้ายกำกับเครื่อง

#### เปิดสวิตช์ (ดูภาพประกอบ G1)

- พยายามพับเพื่อความปลอดภัย (20) ขึ้นด้านบน
- เมื่อต้องการเริ่มต้นทำงานให้กดปุ่มเปิดลิ้นเขียว (59)
- ปลดขยับพับเพื่อความปลอดภัย (20) ลงอีกครั้ง

#### ปิดสวิตช์ (ดูภาพประกอบ G2)

- กดขยับพับเพื่อความปลอดภัย (20)

#### ไฟฟ้าดับ

สวิตช์เปิด-ปิด เป็นสวิตช์ชนิดที่เรียกกันว่าสวิตช์แรงดันศูนย์ที่ป้องกันไม่ให้เครื่องมือไฟฟ้าเริ่มทำงานอีกครั้งหลังไฟฟ้าดับ (ต. ย. เช่น เมื่อถอดปลั๊กไฟออกระหว่างการใช้งาน) หากต้องการให้เครื่องมือไฟฟ้าเริ่มทำงานอีกครั้งหลังไฟฟ้าดับ ให้กดปุ่มเปิดลิ้นเขียว (59) อีกครั้ง

### ข้อแนะนำในการทำงาน

#### คำแนะนำทั่วไปสำหรับการเลื่อย

- ▶ สำหรับการตัดทั้งหมด อันดับแรกต้องตรวจสอบให้แน่ใจว่าใบเลื่อยจะไม่สามารถสัมผัสกับตัวหยุดหรือชิ้นส่วนอื่นๆ ของเครื่องตลอดเวลา
- ▶ ใช้เครื่องมือไฟฟ้าสำหรับเขาระ่องหรือทำรอยบากร่วมกับอุปกรณ์ป้องกันที่เหมาะสมเท่านั้น (ต. ย. เช่น กระบังป้องกันทรงอุโมงค์ หัวดินไม้)
- ▶ อย่าใช้เครื่องมือไฟฟ้าสำหรับตัดช่องที่แคบยาว (ร่องสิ้นสุดในชิ้นงาน)

ป้องกันใบเลื่อยไม่ให้ถูกกระทบกระแทก อย่ากดใบเลื่อยลงทางด้านข้าง

ลิ้มแยกตั้งอยู่ในแนวเดียวกันกับใบเลื่อยเพื่อป้องกันไม่ให้ชิ้นงานดีดชด

อย่าเลื่อยชิ้นงานที่บิดเบี้ยว ชิ้นงานต้องมีขอบตรงเสมอเพื่อประกบกับแผงกำหนดแนวขนาน จัดเก็บไม้ต้นไว้กับเครื่องมือไฟฟ้าเสมอ

#### ตำแหน่งของผู้ใช้งานเครื่อง (ดูภาพประกอบ H)

▶ **อย่ายืนในแนวเดียวกันกับใบเลื่อยโดยตรงอย่างเด็ดขาด** ใหวางตำแหน่งของลำตัวของท่านไว้ด้านเดียวกันกับใบเลื่อยและรั้วเสมอ การตีกลับอาจดันชิ้นงานอย่างรวดเร็วไปยังทุกๆ คนที่ยืนอยู่ตรงหน้าและอยู่ในแนวเดียวกันกับใบเลื่อย

- เอามือ นิ้ว และแขนออกห่างจากใบเลื่อยที่กำลังหมุน

ปฏิบัติตามคำสั่งต่อไปนี้:

- จับชิ้นงานอย่างแน่นหนาด้วยมือทั้งสองข้างและกดทับกับโต๊ะเลื่อยอย่างมั่นคง
- สำหรับชิ้นงานแคบและสำหรับการเลื่อยมุมเอียงในแนวตั้ง ให้ใช้ไม้ต้น (24) และแผงกำหนดแนวขนานเพิ่ม (43) ที่จัดส่งมาเสมอ

#### ขนาดชิ้นงานสูงสุด

มุมเอียงในแนวตั้ง	ความสูงชิ้นงานสูงสุด [มม.]
0°	79
45°	56

### การเลื่อย

#### การเลื่อยตัดตรง

- ปรับแผงกำหนดแนวขนาน ตามความกว้างการตัดที่ต้องการ
- วางชิ้นงานบนโต๊ะเลื่อยที่ด้านหน้ากระบังป้องกัน (6)
- ยกหรือลดใบเลื่อยด้วยข้อเหวี่ยง (19) จนฟันบนของใบเลื่อย (27) อยู่เหนือชิ้นงานประมาณ 3 - 6 มม.
- เปิดสวิตช์เครื่องมือไฟฟ้า
- เลื่อยผ่านชิ้นงานด้วยอัตราป้อนคงที่ หากใช้แรงกดมากเกินไป ปลายใบเลื่อยอาจร้อนเกินไปและชิ้นงานอาจเสียหายได้
- ปิดสวิตช์เครื่องมือไฟฟ้าและรอนใบเลื่อยหยุดสนิท

#### การเลื่อยมุมเอียงในแนวตั้ง

- ปรับตั้งมุมเอียงในแนวตั้งของใบเลื่อยที่ต้องการ เมื่อใบเลื่อยเอียงไปทางซ้าย แผงกำหนดแนวขนาน ต้องอยู่ทางด้านขวาของใบเลื่อย
- ทำตามขั้นตอนการทำงาน: (ดู "การเลื่อยตัดตรง", หน้า 90)

#### การเลื่อยมุมเอียงในแนวนอน (ดูภาพประกอบ I)

- ปรับมุมเอียงในแนวนอนที่ต้องการที่ฉากหยุดมุม (3)
- วางชิ้นงานทาบกับรางโปรไฟล์ (29) โปรไฟล์ต้องไม่อยู่ในแนวเส้นตัด ในกรณีนี้ให้ใช้คลายน็อตหัวเป็นสัน (60) ออกและเปลี่ยนตำแหน่งรางโปรไฟล์



- ยกหรือลดใบเลื่อยด้วยข้อเหวี่ยง (19) จนพื้นบนของใบเลื่อย (27) อยู่เหนือชิ้นงานประมาณ 3 - 6 มม.
- เปิดสวิตช์เครื่องมือไฟฟ้า
- กดชิ้นงานทาบกับรางโปรไฟล์ (29) ด้วยมือข้างหนึ่ง และจับลูกบิดล็อก (56) เพื่อเลื่อนฉากหยุดมุมไปข้างหน้าในร่องนำ (5) อย่างช้าๆ ด้วยมืออีกข้างหนึ่ง
- ปิดสวิตช์เครื่องมือไฟฟ้า และรอจนใบเลื่อยหยุดสนิท

### การตรวจสอบและปรับตั้งการปรับพื้นฐาน

เพื่อให้แน่ใจว่าจะตัดชิ้นงานได้อย่างแม่นยำ หลังการใช้งานหนักท่านต้องตรวจสอบการปรับพื้นฐานของเครื่องมือไฟฟ้าและปรับตั้ง หากจำเป็น

สำหรับเรื่องนี้ท่านต้องมีประสบการณ์และเครื่องมือพิเศษที่สอดคล้องกัน

ศูนย์บริการลูกค้า บอช

ให้บริการบำรุงรักษาได้รวดเร็วและเชื่อถือได้

### การปรับตัวหยุดสำหรับมุมเอียงมาตรฐานในแนวตั้ง

0°/45°

- จัดเครื่องมือไฟฟ้าให้อยู่ในตำแหน่งทำงาน
- ตั้งมุมเอียงในแนวตั้งของใบเลื่อยที่ 0°
- ถอดกระบังป้องกัน (6) ออก

### การตรวจสอบ (คุณภาพประกอบ J1)

- ตั้งเกจวัดมุมที่ 90° และวางไวยนโต๊ะเลื่อย (7)

ขาของเกจวัดมุมต้องทาบเรียบกับใบเลื่อย (27) ตลอดความยาวทั้งหมด

### การปรับ (คุณภาพประกอบ J2)

- คลายสกรู (61) ออกในลักษณะนี้จะสามารถเลื่อนตัวหยุด 0° (62) ได้
- คลายคันล็อก (17) ออก
- เลื่อนล้อหมุนมือ (18) ไปทางตัวหยุด 0° จนขาของเกจวัดมุมทาบเรียบกับใบเลื่อยตลอดความยาวทั้งหมด
- จับล้อหมุนมือไว้ในตำแหน่งนี้ และยึดคันล็อก (17) กลับให้แน่นอีกครั้ง
- ยึดสกรู (61) กลับให้แน่นอีกครั้ง

เมื่อปรับแล้ว หากเข็มชี้มุม (54) ไม่อยู่ในเส้นแนวเดียวกับเครื่องหมาย 0° ของมาตราส่วน (55) ให้คลายสกรู (63) ออกด้วยไขควงปากแฉกที่มีจำหน่ายทั่วไปและปรับแนวเข็มชี้มุมให้เทียบเคียงเครื่องหมาย 0°

ทำซ้ำขั้นตอนทำงานดังกล่าวข้างต้นสำหรับมุมเอียงในแนวตั้ง 45° (คลายสกรู (64) ออก เลื่อนตัวหยุด 45° (65) ในขั้นตอนนี้เข็มชี้มุม (54) จะต้องไม่ถูกปรับเลื่อนอีกครั้ง

### ความขนานของใบเลื่อยกับร่องนำของฉากหยุดมุม (คุณภาพประกอบ K)

- จัดเครื่องมือไฟฟ้าให้อยู่ในตำแหน่งทำงาน
- ถอดกระบังป้องกัน (6) ออก

### การตรวจสอบ

- ใช้ดินสอทำเครื่องหมายที่พื้นเลื่อยซึ่งแรกทางด้านซ้ายที่มองเห็นได้ทางด้านหลังเหนือแผ่นแทรกโต๊ะ
- ตั้งเกจวัดมุมที่ 90° และวางไว้ที่ขอบของร่องนำ (5)
- เลื่อนขาของเกจวัดมุมจนขาสัมผัสพื้นเลื่อยที่ทำเครื่องหมายไว้ และอ่านค่าระยะห่างระหว่างใบเลื่อยและร่องนำ
- หมุนใบเลื่อยจนพื้นที่ทำเครื่องหมายไว้ที่ด้านหน้าอยู่เหนือแผ่นแทรกโต๊ะ
- เลื่อนเกจวัดมุมไปตามร่องนำไปยังพื้นเลื่อยที่ทำเครื่องหมายไว้
- วัดระยะห่างระหว่างใบเลื่อยและร่องนำอีกครั้ง ระยะห่างทั้งสองจะต้องเหมือนกัน

### การปรับ

- คลายสกรูหัวจมหกเหลี่ยม (66) ด้านหน้าโต๊ะเลื่อย และสกรูหัวจมหกเหลี่ยม (67) ด้านท้ายโต๊ะเลื่อยออกด้วยประแจขันหกเหลี่ยม (22) ที่จัดส่งมา
- เลื่อนใบเลื่อยอย่างระมัดระวังจนใบเลื่อยขนานกับร่องนำ (5)

- ยึดสกรู (66) และ (67) ทั้งหมดกลับให้แน่นอีกครั้ง

### การปรับเข็มชี้ระยะห่างของโต๊ะเลื่อย (คุณภาพประกอบ L)

- จัดวางแผงกำหนดแนวขนานบนด้านขวาของใบเลื่อยเลื่อนแผงกำหนดแนวขนานจนเครื่องหมายในแนวขยาย (28) แสดงบนมาตราส่วนล่างตัวเลข 26 ซม. เมื่อต้องการล็อกให้กดคันทึบ (41) ลงอีกครั้ง
- ดึงคันทึบ (16) ขึ้นด้านบนทั้งหมดและดึงส่วนขยายโต๊ะ (14) ออกด้านบนจนสุด

### การตรวจสอบ

- เข็มชี้ระยะห่าง (58) ต้องแสดงค่าบนมาตราส่วนบน (2) เหมือนกับค่าที่เครื่องหมายในแนวขยาย (28) แสดงบนมาตราส่วนล่าง (2)

### การปรับ

- ดึงส่วนขยายโต๊ะ (14) ออกด้านบนจนสุด
- คลายสกรู (68) ออกด้วยไขควงปากแฉก และจัดแนวเข็มชี้ระยะห่าง (58) ตามเครื่องหมาย 26 ซม. ของมาตราส่วนบน (2)

### การปรับความขนานของแผงกำหนดแนวขนาน (คุณภาพประกอบ M)

- จัดเครื่องมือไฟฟ้าให้อยู่ในตำแหน่งทำงาน

- ถอดกระบังป้องกัน (6) ออก
- คลายด้ามหนีบ (41) ของแฉงกำหนดแนวขนานออก และเลื่อนไปจนสัมผัสใบเลื่อย

#### การตรวจสอบ

แฉงกำหนดแนวขนาน ต้องสัมผัสใบเลื่อยตลอดความยาวทั้งหมด

#### การปรับ

- คลายสกรูหัวจมทกเหลี่ยม (69) ออกด้วยประแจขันทกเหลี่ยม (22) ที่จัดส่งมา
- เลื่อนแฉงกำหนดแนวขนาน อย่างระมัดระวังจนสัมผัสใบเลื่อยตลอดความยาวทั้งหมด
- จับแฉงกำหนดแนวขนานไว้ในตำแหน่งนี้ และกดด้ามหนีบ (41) ลงอีกครั้ง
- ยึดสกรูหัวจมทกเหลี่ยม (69) กลับให้แน่นอีกครั้ง

#### การปรับแรงหนีบของแฉงกำหนดแนวขนาน

แรงหนีบของแฉงกำหนดแนวขนาน อาจลดลงหลังใช้งานบ่อยครั้ง

- ขันสกรูปรับ (25) ไปจนแฉงกำหนดแนวขนานสามารถยึดแน่นบนโต๊ะเลื่อยอีกครั้ง

#### การปรับเว้นขยายของแฉงกำหนดแนวขนาน (ดูภาพประกอบ M)

- จัดเครื่องมือไฟฟ้าให้อยู่ในตำแหน่งทำงาน
- ถอดกระบังป้องกัน (6)
- เลื่อนแฉงกำหนดแนวขนาน จากด้านขวาจนสัมผัสใบเลื่อย

#### การตรวจสอบ

เครื่องหมายของเว้นขยาย (28) ต้องอยู่ในแนวเดียวกันกับเครื่องหมาย 0° มม. ของมาตราส่วน (2)

#### การปรับ

- คลายสกรู (70) ออกด้วยไขควงปากแฉกและจัดแนวเข็มชี้ระยะห่างตามเครื่องหมาย 0 มม.

#### การปรับระดับของแผ่นแทรกโต๊ะ (ดูภาพประกอบ N)

##### การตรวจสอบ

ด้านหน้าของแผ่นแทรกโต๊ะ (26) จะต้องราบเป็นระดับเดียวกันหรืออยู่ต่ำกว่าโต๊ะเลื่อยเล็กน้อย ด้านท้ายจะต้องราบเป็นระดับเดียวกันหรืออยู่เหนือโต๊ะเลื่อยเล็กน้อย

##### การปรับ

- ถอดแผ่นแทรกโต๊ะ (26) ออก
- ไขประแจขันทกเหลี่ยม (22) เพื่อปรับระดับที่ถูกต้องของสกรูปรับสี่ตัว (71)

## การจัดเก็บและการขนย้าย

### การจัดเก็บชิ้นส่วนของเครื่อง (ดูภาพประกอบ O1-O5)

สำหรับการจัดเก็บ ท่านสามารถยึดชิ้นส่วนบางตัวของเครื่องเข้ากับเครื่องมือไฟฟ้าได้

- ถอดแฉงกำหนดแนวขนานเพิ่ม (43) ออกจากแฉงกำหนดแนวขนาน
- ไล้ชิ้นส่วนเครื่องมือที่ปลดออกได้ทั้งหมดไว้ในช่องจัดเก็บบนตัวเรือน (ดูตารางต่อไปนี้)

ภาพประกอบ	ชิ้นส่วนของเครื่อง	ช่องจัดเก็บ
O1	กระบังป้องกัน (6)	แขวนในช่องของที่ยึด (34) และขันให้แน่นด้วยคันทันหนีบ (39)
O1	ตัวล็อคการตีกลับ (9) (รุ่นประเทศ 3 601 M30 5C2 )	กดปุ่มกด (48) เข้าหากันและปล่อยให้หุบเข้าไปในรูของที่ยึด (74)
O2	ชุดยึด "แฉงกำหนดแนวขนานเพิ่ม" (44)	หนีบในที่ยึด (72)
O2	ข้อต่อท่อดูดออก (33)	เลื่อนเข้าไปในคลิปยึด (73)
O3	ประแจแหวน (23)	ยึดในช่องจัดเก็บด้วยน็อตยึด (75)
O3	ไม้ดัน (24)	แขวนบนน็อตยึด (75) และเลื่อนเพื่อยึดให้แน่น
O4	แฉงกำหนดแนวขนาน	หมุนกลับด้าน แขนงจากด้านล่างเข้าไปในรางนำ และยึดด้ามหนีบ (41)
O5	ประแจขันทกเหลี่ยม (22) ประแจขันทกเหลี่ยม (21)	เลื่อนเข้าไปในที่ยึด (76)
O5	ฉากหยุดมุม (3)	เลื่อนเข้าไปในคลิปยึด (77)
O5	แฉงกำหนดแนวขนานเพิ่ม (43)	เลื่อนเข้าไปในคลิปยึด (31) (ด้านสั้นหันขึ้น ด้านยาวหันไปทางด้านท้าย)

### การยกเครื่องมือไฟฟ้า

ก่อนขนย้ายเครื่องมือไฟฟ้าต้องทำตามขั้นตอนต่อไปนี้:

- จัดเครื่องมือไฟฟ้าให้อยู่ในตำแหน่งขนย้าย
- ถอดอุปกรณ์ประกอบทั้งหมดที่ไม่สามารถติดตั้งกับเครื่องมือไฟฟ้าได้อย่างแน่นอน

หากเป็นไปได้ให้ขนย้ายใบเลื่อยที่ไม่ใช้งานโดยใส่ในภาชนะบรรจุที่ปิดฝา

- เลื่อนส่วนขยายโต๊ะเลื่อย (14) เข้าด้านในทั้งหมดและกดตามหนีบ (16) ลงเพื่อยึดให้แน่น
- ม้วนสายไฟฟารอบที่ม้วนเก็บสายไฟฟ้า (30)
- ใช้ด้ามถือ (13) เพื่อยกหรือขนย้าย
- ▶ เมื่อขนย้ายเครื่องมือไฟฟ้า ให้ยกจับที่อุปกรณ์สำหรับขนย้ายเท่านั้น และอย่ายกจับที่อุปกรณ์ป้องกันอันตรายอย่างเด็ดขาด

## การบำรุงรักษาและการบริการ

### การบำรุงรักษาและการทำความสะอาด

- ▶ ดึงปลั๊กไฟออกจากเต้าเสียบก่อนปรับแต่งเครื่อง
- ▶ เพื่อให้ทำงานได้อย่างถูกต้องและปลอดภัย ตรวจสอบรักษาเครื่องและช่องระบายอากาศให้สะอาดอยู่เสมอ

หากจำเป็นต้องเปลี่ยนสายไฟฟ้า ต้องส่งเครื่องให้ Bosch หรือศูนย์บริการหลังการขายที่ได้รับมอบหมายสำหรับเครื่องมือไฟฟ้า Bosch เปลี่ยนใน ทั้งนี้เพื่อหลีกเลี่ยงอันตราย

#### การทำความสะอาด

หลังเสร็จงานทุกครั้ง ให้เอาผง

ฝุ่นและเศษออกโดยเป่าด้วยอากาศอัดหรือใช้แปรงปรับ

#### การหล่อลื่นเครื่องมือไฟฟ้า

##### สารหล่อลื่น:

น้ำมันเครื่อง SAE 10/SAE 20

- หล่อลื่นเครื่องมือไฟฟ้าตามความจำเป็นตรงตำแหน่งที่ระบุ (ดูภาพประกอบ P)

ศูนย์บริการลูกค้า บอช ที่ได้รับมอบหมายสามารถทำงานนี้ได้อย่างรวดเร็วและเชื่อถือได้

- ▶ กำหนดสารหล่อลื่นและสารทำความสะอาดในลักษณะที่เป็นมิตรต่อสิ่งแวดล้อม ปฏิบัติตามข้อบังคับทางกฎหมาย

#### มาตรการลดเสียงรบกวน

มาตรการโดยผู้ผลิต:

- การลดระดับแบบหมุนวน
- การส่งมอบพร้อมใบเลื่อยที่พัฒนาขึ้นเป็นพิเศษสำหรับลดเสียงรบกวน

มาตรการโดยผู้ใช้:

- การติดตั้งแบบให้มีการสันสะท้อนน้อยบนพื้นผิวทำงานที่มั่นคง
- การใช้ใบเลื่อยที่มีคุณสมบัติลดเสียงรบกวน
- การทำความสะอาดใบเลื่อยและเครื่องมือไฟฟ้าเป็นประจำ

### อุปกรณ์ประกอบ

	หมายเลขสินค้า
ลูกเก็บผง	2 610 015 511
ข้อต่อท่อดูดออก	2 610 015 509
Y-อะแดปเตอร์ TSVH 3	2 610 015 513
ฉากหยุดมุม	2 610 015 507
ไม้คั้น	2 610 015 022
โต๊ะเลื่อย GTA 600	0 601 B22 001

### ใบเลื่อยสำหรับไม้และวัสดุที่เป็นแผ่น แผ่นกระดาน และแผ่นไมยขาว/คิ้วบัว

ใบเลื่อย 254 x 25.4 มม. 40 ซี่ฟัน	2 608 640 901
ใบเลื่อย 254 x 25.4 มม. 60 ซี่ฟัน	2 608 640 902

### การบริการหลังการขายและการให้คำปรึกษาการใช้งาน

ศูนย์บริการหลังการขายของเรายินดีตอบคำถามของท่านที่เกี่ยวกับการบำรุงรักษาและการซ่อมแซมผลิตภัณฑ์รวมทั้งเรื่องอะไหล่ ภาพเขียนแบบการประกอบและข้อมูลเกี่ยวกับอะไหล่ กรุณาดูใน: [www.bosch-pt.com](http://www.bosch-pt.com)

ทีมงานที่ปรึกษาของ บอช ยินดีให้ข้อมูลเกี่ยวกับผลิตภัณฑ์ของเราและอุปกรณ์ประกอบต่างๆ

เมื่อต้องการสอบถามและสั่งซื้ออะไหล่ กรุณาแจ้งหมายเลขสินค้า 10 หลักบนแผ่นป้ายรุ่นของผลิตภัณฑ์ทุกครั้ง

#### ไทย

ไทย บริษัท โรเบิร์ต บอช จำกัด

เอฟวายไอ เซ็นเตอร์ อาคาร 1 ชั้น 5

เลขที่ 2525 ถนนพระราม 4

แขวงคลองเตย เขตคลองเตย กรุงเทพฯ 10110

โทร: +66 2012 8888

แฟกซ์: +66 2064 5800

[www.bosch.co.th](http://www.bosch.co.th)

ศูนย์บริการซ่อมและฝึกอบรม บอช

อาคาร ลาชาลทาวเวอร์ ชั้น G ห้องเลขที่ 2

บ้านเลขที่ 10/11 หมู่ 16

ถนนศรีนครินทร์ ตำบลบางแก้ว อำเภอบางพลี

จังหวัดสมุทรปราการ 10540

ประเทศไทย

โทรศัพท์ 02 7587555

โทรสาร 02 7587525

สามารถดูที่อยู่ศูนย์บริการอื่นๆ ได้ที่:

[www.bosch-pt.com/serviceaddresses](http://www.bosch-pt.com/serviceaddresses)

### การกำจัดขยะ

เครื่องมือไฟฟ้า อุปกรณ์ประกอบ และที่บดห่อ ต้องนำไปแยกประเภทวัสดุเพื่อการรีไซเคิลที่เป็นมิตรต่อสิ่งแวดล้อมอย่างทิ้งเครื่องมือไฟฟ้าลงในขยะบ้าน!



## Bahasa Indonesia

### Petunjuk Keselamatan

#### Petunjuk keselamatan umum untuk perkakas listrik

**⚠ PERINGATAN** Baca semua peringatan, petunjuk, ilustrasi, dan spesifikasi keselamatan yang diberikan bersama perkakas listrik ini. Kesalahan dalam menjalankan petunjuk di bawah ini dapat mengakibatkan sengatan listrik, kebakaran, dan/atau cedera serius.

#### Simpanlah semua peringatan dan petunjuk untuk penggunaan di masa mendatang.

Istilah "perkakas listrik" dalam peringatan mengacu pada perkakas listrik yang dioperasikan dengan listrik (menggunakan kabel) atau perkakas listrik yang dioperasikan dengan baterai (tanpa kabel).

#### Keamanan tempat kerja

- ▶ **Jaga kebersihan dan pencahayaan area kerja.** Area yang berantakan atau gelap dapat memicu kecelakaan.
- ▶ **Jangan mengoperasikan perkakas listrik di lingkungan yang dapat memicu ledakan, seperti adanya cairan, gas, atau debu yang mudah terbakar.** Perkakas listrik dapat memancarkan bunga api yang kemudian mengakibatkan debu atau uap terbakar.
- ▶ **Jauhkan dari jangkauan anak-anak dan pengamat saat mengoperasikan perkakas listrik.** Gangguan dapat menyebabkan hilangnya kendali.

#### Keamanan listrik

- ▶ **Steker perkakas listrik harus sesuai dengan stopkontak. Jangan pernah memodifikasi steker. Jangan menggunakan steker adaptor bersama dengan perkakas listrik yang terhubung dengan sistem grounding.** Steker yang tidak dimodifikasi dan stopkontak yang cocok akan mengurangi risiko sengatan listrik.
- ▶ **Hindari kontak badan dengan permukaan yang terhubung dengan sistem grounding, seperti pipa, radiator, kompor, dan lemari es.** Terdapat peningkatan risiko terjadinya sengatan listrik jika badan Anda terhubung dengan sistem grounding.

- ▶ **Perkakas listrik tidak boleh terpapar hujan atau basah.** Air yang masuk ke dalam perkakas listrik menambah risiko terjadinya sengatan listrik.
- ▶ **Jangan menyalahgunakan kabel. Jangan gunakan kabel untuk membawa, menarik, atau melepas steker perkakas listrik. Jauhkan kabel dari panas, minyak, tepi yang tajam, atau komponen yang bergerak.** Kabel listrik yang rusak atau tersangkut menambah risiko terjadinya sengatan listrik.
- ▶ **Saat mengoperasikan perkakas listrik di luar ruangan, gunakan kabel ekstensi yang sesuai untuk penggunaan di luar ruangan.** Penggunaan kabel yang cocok untuk pemakaian di luar ruangan mengurangi risiko terjadinya sengatan listrik.
- ▶ **Jika perkakas listrik memang harus dioperasikan di tempat yang lembap, gunakan pemutus arus listrik residu (RCD).** Penggunaan RCD akan mengurangi risiko terjadinya sengatan listrik.

#### Keselamatan personel

- ▶ **Tetap waspada, perhatikan aktivitas yang sedang dikerjakan dan gunakan akal sehat saat mengoperasikan perkakas listrik. Jangan gunakan perkakas listrik saat mengalami kelelahan atau di bawah pengaruh narkoba, alkohol, atau obat-obatan.** Jika perkakas listrik dioperasikan dengan daya konsentrasi yang rendah, hal tersebut dapat menyebabkan cedera serius.
- ▶ **Gunakan peralatan pelindung diri. Selalu kenakan pelindung mata.** Penggunaan perlengkapan pelindung seperti penutup telinga, helm, sepatu anti licin, dan masker debu akan mengurangi cedera.
- ▶ **Hindari start yang tidak disengaja. Pastikan switch berada di posisi off sebelum perkakas listrik dihubungkan ke sumber daya listrik dan/atau baterai, diangkat, atau dibawa.** Membawa perkakas listrik dengan jari menempel pada tombol atau perkakas listrik dalam keadaan hidup dapat memicu kecelakaan.
- ▶ **Singkirkan kunci penyetel atau kunci pas sebelum menghidupkan perkakas listrik.** Perkakas atau kunci pas yang masih menempel pada komponen perkakas listrik yang berputar dapat menyebabkan cedera.
- ▶ **Jangan melampaui batas. Berdirilah secara mantap dan selalu jaga keseimbangan.** Hal ini akan memberikan kontrol yang lebih baik terhadap perkakas listrik pada situasi yang tak terduga.
- ▶ **Kenakan pakaian dengan wajar. Jangan mengenakan perhiasan atau pakaian yang longgar. Jauhkan rambut dan pakaian dari komponen yang bergerak.** Pakaian yang longgar, rambut panjang, atau perhiasan dapat tersangkut dalam komponen yang bergerak.
- ▶ **Jika disediakan perangkat untuk sambungan pengisapan debu dan alat pengumpulan, pastikan perangkat tersebut terhubung dan digunakan dengan benar.** Penggunaan alat pengumpulan dapat mengurangi bahaya yang disebabkan oleh debu.

- ▶ **Jangan berpuas diri dan mengabaikan prinsip keselamatan karena terbiasa mengoperasikan perkakas.** Tindakan yang kurang hati-hati dapat mengakibatkan cedera serius dalam waktu sepersekian detik.

#### Penggunaan dan pemeliharaan perkakas listrik

- ▶ **Jangan memaksakan perkakas listrik. Gunakan perkakas listrik yang sesuai untuk pekerjaan yang dilakukan.** Perkakas listrik yang sesuai akan bekerja dengan lebih baik dan aman sesuai tujuan penggunaan.
- ▶ **Jangan gunakan perkakas listrik dengan switch yang tidak dapat dioperasikan.** Perkakas listrik yang switchnya yang tidak berfungsi dapat menimbulkan bahaya dan harus diperbaiki.
- ▶ **Lepaskan steker dari sumber listrik dan/atau lepas baterai, jika dapat dilepaskan dari perkakas listrik sebelum menyetel, mengganti aksesoris, atau menyimpan perkakas listrik.** Tindakan preventif akan mengurangi risiko menghidupkan perkakas listrik secara tidak disengaja.
- ▶ **Jauhkan dan simpan perkakas listrik dari jangkauan anak-anak dan jangan biarkan orang-orang yang tidak mengetahui cara menggunakan perkakas listrik, mengoperasikan perkakas listrik.** Perkakas listrik dapat membahayakan jika digunakan oleh orang-orang yang tidak terlatih.
- ▶ **Lakukan pemeliharaan perkakas listrik dan aksesoris. Periksa komponen yang bergerak apabila tidak lurus atau terikat, kerusakan komponen, dan kondisi lain yang dapat mengganggu pengoperasian perkakas listrik. Apabila rusak, perbaiki perkakas listrik sebelum digunakan.** Kecelakaan sering terjadi karena perkakas listrik tidak dirawat dengan baik.
- ▶ **Jaga ketajaman dan kebersihan alat.** Alat pemotong dengan pisau pemotong yang tajam dan dirawat dengan baik tidak akan mudah tersangkut dan lebih mudah dikendalikan.
- ▶ **Gunakan perkakas listrik, aksesoris, dan komponen perkakas dll sesuai dengan petunjuk ini, dengan mempertimbangkan kondisi kerja dan pekerjaan yang akan dilakukan.** Penggunaan perkakas listrik untuk tujuan berbeda dari fungsinya dapat menyebabkan situasi yang berbahaya.
- ▶ **Jaga gagang dan permukaan genggam agar tetap kering, bersih, dan bebas dari minyak dan lemak.** Gagang dan permukaan genggam yang licin tidak menjamin keamanan kerja dan kontrol alat yang baik pada situasi yang tidak terduga.

#### Servis

- ▶ **Minta teknisi berkualifikasi untuk menyervis perkakas listrik dengan hanya menggunakan suku cadang yang identik.** Dengan demikian, hal ini akan memastikan keamanan perkakas listrik.

#### Petunjuk keselamatan untuk gergaji meja

##### Peringatan terkait perlindungan

- ▶ **Jaga pelindung agar tetap berada di tempatnya. Pelindung harus berfungsi dengan baik dan terpasang dengan benar.** Pelindung yang longgar, rusak, atau tidak berfungsi dengan benar harus diperbaiki atau diganti.
- ▶ **Selalu gunakan pelindung mata pisau, riving knife, dan perangkat anti sentakan untuk setiap pengoperasian through-cutting.** Untuk pengoperasian through-cutting yaitu bilah gergaji memotong hingga menembus benda kerja, pelindung dan perangkat keselamatan lainnya membantu mengurangi risiko cedera.
- ▶ **Segera pasang kembali sistem perlindungan setelah menyelesaikan pengoperasian (seperti pembuatan rabbet, dado, atau pemotongan ulang) yang mengharuskan melepas pelindung, riving knife, dan/ atau perangkat anti sentakan.** Pelindung, riving knife, dan perangkat anti sentakan membantu mengurangi risiko cedera.
- ▶ **Pastikan bilah gergaji tidak menyentuh pelindung, riving knife, atau benda kerja sebelum gergaji dinyalakan.** Apabila bilah gergaji menyentuh benda-benda tersebut, maka dapat menyebabkan kondisi yang berbahaya.
- ▶ **Atur riving knife seperti yang telah diinstruksikan pada buku panduan pengguna.** Jarak, posisi, dan penyetaraan yang tidak benar dapat membuat riving knife tidak bekerja dengan efektif dalam mencegah sentakan.
- ▶ **Agar riving knife dan perangkat anti sentakan dapat bekerja, riving knife harus bertaut dengan benda kerja.** Riving knife dan perangkat anti sentakan menjadi tidak efektif saat memotong benda kerja yang terlalu pendek untuk disatukan dengan riving knife dan perangkat anti sentakan. Dalam kondisi ini, sentakan tidak dapat dicegah oleh riving knife dan perangkat anti sentakan.
- ▶ **Gunakan bilah gergaji yang sesuai untuk riving knife.** Agar riving knife dapat berfungsi dengan benar, diameter bilah gergaji harus sesuai dengan riving knife dan bodi bilah pisau harus lebih tipis dari riving knife, dan ketebalan pemotongan bilah gergaji harus lebih besar dari ketebalan riving knife.

##### Peringatan prosedur pemotongan

- ▶ **⚠ AWAS: Jangan pernah posisikan jari atau tangan Anda di sekitar atau pada jalur bilah gergaji.** Jika Anda tidak waspada atau terpelewat, hal tersebut dapat menyebabkan tangan Anda menyentuh bilah gergaji dan menyebabkan cedera serius.
- ▶ **Hanya arahkan benda kerja ke bilah gergaji berlawanan dengan arah putaran gergaji.** Mengarahkan benda kerja searah bilah gergaji saat berputar di atas meja dapat menyebabkan benda kerja, dan tangan Anda tertarik ke arah bilah gergaji.

- ▶ **Jangan pernah gunakan pengukur miter untuk mengarahkan benda kerja ketika membelah dan jangan gunakan penahan rip sebagai pembatas panjang ketika melakukan pemotongan silang dengan pengukur miter.** Mengarahkan benda kerja dengan penahan rip dan pengukur miter secara bersamaan meningkatkan kemungkinan bilah gergaji terjepit dan menyentak.
- ▶ **Ketika membelah, selalu tekan benda kerja di antara penahan dan bilah gergaji. Gunakan tongkat dorong ketika jarak antara penahan dan bilah gergaji kurang dari 150mm, dan gunakan balok pendorong ketika jaraknya kurang dari 50mm.** Perangkat "Pembantu pekerjaan" akan menjaga tangan Anda dalam jarak aman dari bilah gergaji.
- ▶ **Hanya gunakan tongkat dorong yang disediakan oleh produsen atau dibuat sesuai dengan instruksi.** Tongkat dorong ini memberikan jarak aman bagi tangan terhadap bilah gergaji.
- ▶ **Jangan pernah gunakan tongkat dorong yang rusak atau terpotong.** Tongkat dorong yang rusak dapat pecah dan menyebabkan tangan Anda terpeleset ke arah bilah gergaji.
- ▶ **Jangan pernah lakukan pengoperasian apa pun "dengan tangan kosong".** Selalu gunakan penahan rip atau pengukur miter untuk memosisikan dan mengarahkan benda kerja. "Bekerja dengan tangan kosong" berarti menggunakan tangan Anda untuk menopang atau mengarahkan benda kerja, alih-alih menggunakan penahan rip atau pengukur miter. Penggerak dengan tangan kosong menyebabkan pemotongan tidak rapi, terjepit, dan sentakan.
- ▶ **Jangan pernah meraih benda apa pun di sekitar atau di atas bilah gergaji yang sedang berputar.** Meraih benda kerja dapat menyebabkan kecelakaan ketika bilah gergaji masih berputar.
- ▶ **Berikan penopang tambahan untuk benda kerja di belakang dan/atau di samping meja gergaji untuk benda kerja yang panjang dan/atau lebar agar tetap rata.** Benda kerja yang panjang dan/atau lebar seringkali berubah posisi pada tepian meja sehingga menyebabkan kehilangan kontrol, dan bilah gergaji terjepit dan menyentak.
- ▶ **Arahkan benda kerja dengan kecepatan yang stabil. Jangan tekuk atau pelintir benda kerja. Jika terjadi kemacetan, segera matikan perkakas, cabut steker lalu hilangkan penyebab kemacetan.** Bilah gergaji yang macet akibat benda kerja dapat menyebabkan sentakan atau menyebabkan mesin mati.
- ▶ **Jangan menyingkirkan potongan material ketika gergaji masih berputar.** Material tersebut dapat terjebak di antara penahan atau di dalam pelindung bilah gergaji dan bilah gergaji dapat menarik jari Anda. Matikan gergaji dan tunggu hingga bilah gergaji berhenti berputar sebelum melepas material.
- ▶ **Gunakan penahan tambahan yang menyentuh bagian atas meja ketika membelah benda kerja dengan**

**ketebalan kurang dari 2 mm.** Benda kerja yang tipis dapat terjepit di bawah penahan rip dan menghasilkan sentakan.

#### **Penyebab sentakan dan peringatan terkait**

Sentakan adalah reaksi seketika dari benda kerja akibat bilah gergaji yang terjepit, macet, atau garis pemotongan benda kerja tidak sejajar dengan bilah gergaji atau ketika bagian dari benda kerja terjepit di antara bilah gergaji dan penahan rip atau benda lainnya yang terpasang di tempatnya.

Seringkali saat terjadi sentakan, benda kerja terangkat dari meja dari bagian belakang bilah gergaji dan terlontar ke arah operator.

Sentakan merupakan akibat dari penggunaan yang salah pada gergaji dan/atau prosedur atau syarat pengoperasian atau syarat-syarat penggunaan yang tidak tepat, namun dapat dihindari dengan melakukan tindakan pencegahan yang tepat seperti yang diberikan di bawah ini.

- ▶ **Jangan pernah berdiri searah dengan bilah gergaji. Selalu posisikan tubuh Anda di sisi yang sama dengan penahan pada sisi bilah gergaji.** Sentakan dapat melontarkan benda kerja dengan kecepatan tinggi ke arah siapa pun yang berdiri di depan atau searah dengan bilah gergaji.
- ▶ **Jangan pernah meraih ke belakang atau ke atas bilah gergaji untuk menarik atau menopang benda kerja.** Kecelakaan dengan bilah gergaji dapat terjadi atau sentakan dapat menarik jari Anda ke arah bilah gergaji.
- ▶ **Jangan pernah menahan dan menekan benda kerja yang sedang dipotong menggunakan bilah gergaji yang berputar.** Menekan benda kerja yang sedang dipotong dengan arah berlawanan dari bilah gergaji akan menyebabkan terjepit dan sentakan.
- ▶ **Sejajarkan penahan secara paralel dengan bilah gergaji.** Penahan yang tidak sejajar akan menjepit benda kerja dengan bilah gergaji dan menyebabkan sentakan.
- ▶ **Gunakan featherboard untuk mengarahkan benda kerja ke meja dan penahan ketika melakukan pemotongan tanpa menembus benda kerja, seperti membuat rabbet, dado, atau pemotongan ulang.** Featherboard membantu mengontrol benda kerja ketika terjadi sentakan.
- ▶ **Berikan penyangga pada panel yang besar untuk mengurangi risiko bilah gergaji terjepit dan tersentak.** Panel yang besar cenderung akan merosot akibat besarnya beban. Penopang harus dipasang di bawah semua bagian panel yang melewati bagian atas meja.
- ▶ **Sangat berhati-hatilah ketika memotong benda kerja yang terpelintir, tersimpul, melengkung, atau tidak memiliki tepian lurus untuk mengarahkannya dengan pengukur miter atau dengan penahan.** Benda kerja yang melengkung, tersimpul, atau terpelintir tidak stabil dan menyebabkan goresan tidak sejajar pada bilah gergaji, terjepit, dan tersentak.
- ▶ **Jangan pernah memotong lebih dari satu benda kerja, baik yang ditumpuk secara horizontal maupun**



vertikal. Bilah gergaji dapat menarik salah satu benda atau lebih dan menyebabkan sentakan.

- ▶ **Saat menjalankan ulang gergaji dengan bilah gergaji pada benda kerja, pusatkan bilah gergaji pada celah pemotongan sehingga gerigi gergaji tidak masuk ke material.** Jika bilah gergaji tersangkut, benda kerja dapat terangkat dan menyebabkan sentakan ketika gergaji dinyalakan kembali.
- ▶ **Jaga bilah gergaji tetap bersih, tajam, dan lengkap. Jangan pernah gunakan bilah gergaji yang melengkung atau bilah gergaji dengan gerigi yang retak atau rusak.** Tajamkan dan pasang bilah gergaji dengan benar untuk meminimalisasi terjepit, macet, dan terjadi sentakan.

#### Peringatan prosedur pengoperasian gergaji meja

- ▶ **Matikan gergaji meja dan cabut steker listrik ketika melepaskan sisipan meja, mengganti bilah gergaji, atau mengatur riving knife, perangkat anti sentakan, atau pelindung bilah gergaji, dan ketika perkakas sedang tidak dalam pengawasan.** Tindakan pencegahan akan menghindari kecelakaan.
- ▶ **Jangan pernah biarkan gergaji meja beroperasi tanpa pengawasan. Matikan dan jangan tinggalkan perkakas hingga benar-benar berhenti.** Gergaji yang beroperasi tanpa pengawasan adalah bahaya yang tak terkontrol.
- ▶ **Posisikan gergaji meja di area yang datar dan dengan penerangan yang cukup sehingga keseimbangan dan pijakan yang baik dapat terjaga. Gergaji harus dipasang di area yang memiliki cukup ruang agar dapat memegang benda kerja dengan mudah.** Area yang sempit, gelap, dan dengan lantai yang tidak rata serta licin dapat menyebabkan kecelakaan.
- ▶ **Bersihkan dan buang serbuk gergaji dari bawah meja gergaji dan/atau perangkat pengumpul debu secara berkala.** Serbuk gergaji yang terkumpul mudah terbakar dan dapat menyebabkan kebakaran dengan sendirinya.
- ▶ **Gergaji meja harus terpasang dengan kuat.** Gergaji meja yang tidak terpasang dengan benar dapat bergerak atau terbalik.
- ▶ **Singkirkan alat-alat, serpihan kayu, dan lain sebagainya dari meja sebelum gergaji meja dinyalakan.** Gangguan atau potensi terjepit dapat membahayakan.
- ▶ **Selalu gunakan bilah gergaji dengan ukuran dan bentuk lubang poros yang sesuai (belah ketupat versus bulat).** Bilah gergaji yang tidak sesuai dengan perangkat keras yang terpasang pada gergaji akan bergerak tidak simetris dan mengakibatkan kehilangan kendali.
- ▶ **Jangan pernah menggunakan komponen pemasangan bilah gergaji yang rusak atau tidak tepat seperti flensa, washer bilah gergaji, baut, atau mur.** Komponen pemasangan tersebut dirancang khusus untuk gergaji Anda, untuk pengoperasian yang aman dan kinerja optimal.

- ▶ **Jangan pernah berdiri di atas gergaji meja, jangan gunakan meja gergaji sebagai pijakan.** Cedera serius dapat terjadi jika perkakas terbalik atau jika Anda menyentuh alat pemotong secara tidak sengaja.
- ▶ **Pastikan bilah gergaji terpasang agar dapat berputar ke arah yang tepat. Jangan gunakan roda gerinda, sikat kawat, atau roda abrasif pada gergaji meja.** Pemasangan bilah gergaji yang tidak tepat atau penggunaan aksesoris yang tidak disarankan dapat menyebabkan cedera serius.

#### Petunjuk Keselamatan tambahan

- ▶ **Pakailah sarung tangan pelindung pada waktu memasang mata gergaji.** Terdapat risiko cedera.
- ▶ **Jangan menggunakan mata gergaji berbahan baja HSS (High-speed Steel).** Mata gergaji dari bahan ini mudah patah.
- ▶ **Gunakanlah hanya mata gergaji yang sesuai dengan data yang tercantum di panduan pengoperasian dan pada perkakas listrik serta telah diuji menurut peraturan EN 847-1, dan sesuai dengan yang digambarkan.**
- ▶ **Jangan pernah gunakan perkakas listrik tanpa meja sisipan. Ganti meja sisipan yang rusak.** Anda dapat terluka oleh mata gergaji apabila menggunakan meja sisipan yang rusak.
- ▶ **Jaga tempat pengerjaan tetap bersih.** Campuran bahan yang berserakan cukup berbahaya. Debu logam yang kecil dapat terbakar atau menimbulkan ledakan.
- ▶ **Pilih mata gergaji yang sesuai untuk bahan yang akan dikerjakan.**
- ▶ **Gunakanlah hanya mata gergaji yang dianjurkan oleh produsen perkakas listrik ini dan yang sesuai dengan bahan yang dikerjakan.**
- ▶ **Arahkan benda kerja hanya pada mata gergaji yang berjalan mendekat.** Jika terbalik, dapat terjadi sentakan karena mata gergaji tersangkut pada benda yang dikerjakan.

## Simbol-simbol

Simbol-simbol berikut dapat membantu Anda dalam menggunakan perkakas listrik. Pelajari dan ingat simbol-simbol berikut beserta maknanya. Pengertian yang betul dari simbol-simbol ini bisa membantu Anda untuk menggunakan perkakas listrik dengan lebih baik dan aman.

#### Simbol dan artinya



**Jangan mendekatkan tangan Anda pada area pemotongan saat perkakas listrik beroperasi.** Sentuhan pada mata gergaji dapat mengakibatkan cedera.

## Simbol dan artinya



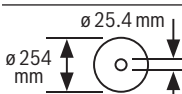
**Pakailah masker pelindung debu.**



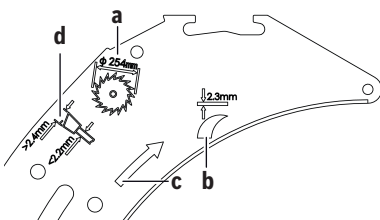
**Pakailah pelindung telinga.** Jika Anda mendengar suara bising untuk waktu yang lama, daya pendengaran dapat berkurang.



**Pakailah kacamata pelindung.**

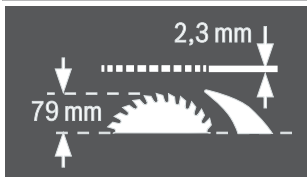


Perhatikanlah ukuran mata gergaji. Diameter lubang harus sesuai dengan poros perkakas dan tidak goyah. Jika penggunaan reduktor diperlukan, pastikan ukuran reduktor sesuai dengan ketebalan bilah baja, diameter lubang pada mata gergaji serta diameter poros perkakas. Sebisa mungkin gunakan reduktor yang disediakan bersama dengan mata gergaji. Diameter mata gergaji harus sesuai dengan informasi pada simbol.



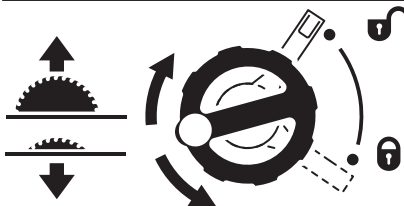
- a** Diameter mata gergaji tidak boleh lebih dari 254 mm.
- b** Ketebalan pemegang pelindung atas (riving knife) sebesar 2,3 mm.
- c** Arah pemotongan gigi (arah panah pada mata gergaji) harus sesuai dengan arah panah pada pemegang pelindung atas (riving knife).
- d** Pastikan saat mengganti mata gergaji, lebar pemotongan tidak boleh kurang dari 2,4 mm dan ketebalan bilah baja tidak boleh lebih dari 2,2 mm. Jika tidak, terdapat bahaya yakni pemegang pelindung atas (riving knife) tersangkut pada benda kerja.

## Simbol dan artinya



Ketebalan pemegang pelindung atas (riving knife) sebesar 2,3 mm.

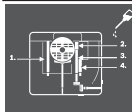
Ketinggian benda kerja maksimal sebesar 79 mm.

**sisi kiri:**

Menampilkan arah putaran engkol untuk menurunkan (**posisi pengangkutan**) dan mengangkat (**posisi pengoperasian**) mata gergaji.

**sisi kanan:**

Menampilkan posisi tuas pengunci untuk mengunci mata gergaji dan saat mengatur sudut potong vertikal (mata gergaji dapat digerakkan).



Jika perlu, lumasi perkakas listrik pada bagian-bagian yang ditunjukkan.



Perkakas listrik dengan perlindungan kelas II diperkuat atau terisolasi ganda.



Dengan tanda CE, produsen memastikan bahwa perkakas listrik sesuai dengan pedoman EU (Directive EU) yang berlaku.

## Spesifikasi produk dan performa



**Bacalah semua petunjuk keselamatan dan petunjuk penggunaan.** Kesalahan dalam menjalankan petunjuk keselamatan dan petunjuk penggunaan dapat mengakibatkan kontak listrik, kebakaran, dan/atau luka-luka yang berat.

Perhatikan ilustrasi yang terdapat pada sisi sampul panduan pengoperasian.

### Tujuan penggunaan

Perkakas listrik ini dirancang khusus untuk memotong dalam arah memanjang dan melintang dengan pemotongan lurus pada kayu keras dan kayu lunak serta chipboard dan fibreboard. Sudut potong horizontal dapat dilakukan mulai

-60° hingga +60° dan sudut potong vertikal dapat dilakukan mulai -2° hingga 47°.

Jika menggunakan mata gergaji yang sesuai, perkakas listrik juga dapat digunakan untuk menggergaji profil aluminium dan bahan sintetis.

### Ilustrasi komponen

Nomor-nomor dari bagian-bagian perkakas pada gambar sesuai dengan gambar perkakas listrik pada halaman bergambar.

- |      |  |      |  |
|------|--|------|--|
| (1)  | Alur pemandu untuk mistar sejajar                        | (35) | Tuas penjepit untuk pemegang pelindung atas (riving knife)                       |
| (2)  | Skala untuk jarak mata gergaji ke mistar sejajar         | (36) | Sekrup kepala heksagonal pemegang pelindung atas (riving knife) <sup>a)</sup>    |
| (3)  | Mistar sudut   | (37) | Pin posisi untuk pemegang pelindung atas (riving knife)                          |
| (4)  | Lekukan tempat memegang                                  | (38) | Lekukan pada sisipan meja  |
| (5)  | Alur pemandu untuk mistar sudut                          | (39) | Tuas penjepit pada tutup pelindung   |
| (6)  | Tutup pelindung  | (40) | Baut pemandu tutup pelindung   |
| (7)  | Meja potong  | (41) | Kenop pengencang mistar sejajar  |
| (8)  | Pemegang pelindung atas (riving knife)                   | (42) | Pemandu V mistar sejajar   |
| (9)  | Pengunci sentakan <sup>a)</sup>                          | (43) | Mistar sejajar tambahan  |
| (10) | Mistar sejajar   | (44) | Set pengencangan "mistar sejajar tambahan"                                       |
| (11) | Alur pemandu V pada meja potong untuk mistar sejajar     | (45) | Rel pemandu mistar sudut   |
| (12) | Lubang-lubang untuk pemasangan                           | (46) | Set pengencangan "rel profil"  |
| (13) | Gagang angkat  | (47) | Sekrup untuk memasang ejektor serbuk gergaji                                     |
| (14) | Pelebaran meja potong                                    | (48) | Tombol untuk menarik baut pemandu pengunci sentakan <sup>a)</sup>                |
| (15) | Klip pengencang untuk meja kerja GTA 600                 | (49) | Mur penjepit   |
| (16) | Kenop pengencang untuk pelebaran meja potong             | (50) | Tuas pengunci poros  |
| (17) | Tuas pengunci untuk menyetel sudut potong vertikal       | (51) | Flensa penjepit  |
| (18) | Alat putar tangan  | (52) | Poros perkakas   |
| (19) | Engkol untuk menaikkan dan menurunkan mata gergaji       | (53) | Flensa dudukan   |
| (20) | Tutup pengaman tombol on/off                             | (54) | Indikator sudut (vertikal)   |
| (21) | Kunci L (2 mm)   | (55) | Skala untuk sudut potong (vertikal)  |
| (22) | Kunci L (5 mm)   | (56) | Kenop pengunci untuk menyetel sudut potong lainnya (horizontal)                  |
| (23) | Kunci ring (23 mm)                                       | (57) | Indikator sudut pada mistar sudut  |
| (24) | Tuas pendorong   | (58) | Penunjuk jarak meja potong   |
| (25) | Sekrup untuk mengatur kekuatan penjepitan mistar sejajar | (59) | Tombol on  |
| (26) | Sisipan meja   | (60) | Mur bergerigi untuk rel profil   |
| (27) | Mata gergaji   | (61) | Baut berkepala silang untuk mengatur batas henti 0°                              |
| (28) | Kaca pembesar  | (62) | Batas sudut potong 0° (vertikal)   |
| (29) | Rel profil   | (63) | Baut untuk indikator sudut (vertikal)  |
| (30) | Penahan kabel  | (64) | Baut berkepala silang untuk mengatur batas henti 45°                             |
| (31) | Klip penahan untuk menyimpan mistar sejajar tambahan     | (65) | Batas sudut potong 45° (vertikal)  |
| (32) | Ejektor serbuk gergaji                                   | (66) | Sekrup kepala heksagonal (5 mm) depan untuk mengatur kesejajaran mata gergaji    |
| (33) | Adaptor pengisap   | (67) | Sekrup kepala heksagonal (5 mm) belakang untuk mengatur kesejajaran mata gergaji |
| (34) | Penahan untuk menjaga tutup pelindung                    | (68) | Baut untuk penunjuk jarak meja potong  |
|      |  | (69) | Sekrup kepala heksagonal (5 mm) untuk mengatur kesejajaran mistar sejajar        |
|      |  | (70) | Baut untuk penunjuk jarak mistar sejajar   |
|      |  | (71) | Sekrup untuk sisipan meja  |
|      |  | (72) | Penahan untuk menyimpan set pengencangan "mistar sejajar tambahan"               |

- (73) Klip penahan untuk menyimpan adaptor pengisapan
- (74) Penahan untuk menyimpan pengunci sentakan<sup>a)</sup>
- (75) Mur pengencangan untuk kunci ring dan untuk mengantungkan tuas pendorong

- (76) Penahan untuk menyimpan kunci L
  - (77) Klip penahan untuk menyimpan mistar sudut
- a) Tergantung versi negara masing-masing **3 601 M30 5C2**

### Data teknis

Mesin gergaji meja		GTS 10 J	GTS 10 J
Nomor seri		<b>3 601 M30 5..</b>	<b>3 601 M30 5C2</b>
Input daya nominal	W	1800	1700
Tegangan nominal	V	220–240	120
Frekuensi	Hz	50/60	60
Kecepatan idle	min <sup>-1</sup>	3650	3700
Pembatasan arus listrik saat start		●	●
Berat sesuai dengan EPTA-Procedure 01:2014	kg	26,2	26,2
Tingkat perlindungan		□ / II	□ / II
Dimensi (termasuk komponen perangkat yang dapat dilepas)			
Lebar x panjang x tinggi	mm	640 x 706 x 330	640 x 706 x 330
<b>Ukuran mata gergaji yang sesuai</b>			
Diameter mata gergaji	mm	254	254
Ketebalan bilah baja	mm	< 2,2	< 2,2
Ketebalan/pengaturan gigi min.	mm	> 2,4	> 2,4
Diameter lubang	mm	25,4	25,4

Ukuran benda kerja maksimal: (lihat „Ukuran benda kerja maksimal“, Halaman 105)

Data-data berlaku untuk tegangan nominal [U] 230 V. Pada tegangan yang lebih rendah dan pada model khusus mancanegara data-data ini bisa berlainan.

- Pengunci sentakan **(9)** (tergantung versi negara masing-masing **3 601 M30 5C2**)
- Kunci L **(22)**
- Kunci L **(21)**
- Kunci ring **(23)**
- Tuas pendorong **(24)**
- Sisipan meja **(26)**
- Adaptor pengisap **(33)**

**Catatan:** Periksa perkakas listrik dari kemungkinan kerusakan.

Sebelum melanjutkan menggunakan perkakas listrik, periksa dengan saksama semua komponen pelindung atau komponen yang sedikit rusak apakah komponen tersebut berfungsi dengan baik. Periksa apakah komponen yang bergerak berfungsi dengan baik dan tidak terjepit atau apakah ada komponen yang rusak. Semua bagian-bagian harus terpasang dengan benar dan memenuhi semua persyaratan guna menjamin penggunaan perkakas listrik yang sempurna.

Komponen perlindungan dan bagian-bagian yang rusak harus diperbaiki atau diganti di bengkel yang disetujui.

### Memasang komponen-komponen

- Keluarkan semua komponen yang disediakan di kemasan dengan hati-hati.
- Singkirkan semua bahan kemasan dari perkakas listrik dan dari aksesoris yang disediakan.

## Pemasangan

- ▶ **Hindari perkakas listrik hidup secara tidak sengaja. Selama melakukan pemasangan dan pekerjaan lainnya pada perkakas listrik, steker tidak boleh dialiri listrik.**

### Lingkup pengiriman

Sebelum menggunakan perkakas listrik untuk pertama kalinya, periksalah apakah semua komponen di bawah ini disertakan:

- Mesin gergaji meja dengan mata gergaji yang terpasang **(27)** dan pemegang pelindung atas **(8)**
- Mistar sudut **(3)**
- Rel profil **(29)**
- Set pengencangan "Rel profil" **(46)** (pelat pemandu, mur bergerigi, sekrup, cincin)
- Mistar sejajar
- Mistar sejajar tambahan **(43)**
- Set pengencangan "Mistar sejajar tambahan" **(44)** (3 sekrup pengencang, 3 cincin, 3 mur kupu-kupu)
- Tutup pelindung **(6)**

- Perhatikanlah supaya bahan kemasan di bawah motor penggerak sudah disingkirkan.

Komponen perangkat yang terpasang langsung pada housing: Tuas pendorong (24), kunci ring (23), kunci L (22) dan (21), mistar sejajar (10), mistar sudut (3), adaptor pengisap (33), mistar sejajar tambahan (43) dengan set pengencangan (44), tutup pelindung (6).

- Jika memerlukan salah satu komponen perangkat ini, keluarkan komponen tersebut dari tempat penyimpanannya dengan hati-hati.

#### Mengatur posisi pemegang pelindung atas (riving knife) (lihat gambar a1–a2)

**Catatan:** Jika perlu, bersihkan dulu semua komponen yang terpasang sebelum mengatur posisi pemasangan.

- Putar engkol (19) searah jarum jam hingga maksimal sehingga mata gergaji (27) berada pada posisi setinggi mungkin di atas meja potong.
- Kendurkan tuas penjepit (35).  
*atau*  
tergantung versi negara **3 601 M30 5C2** : Kendurkan sekrup kepala heksagonal (36) dengan kunci L (22).
- Dorong pemegang pelindung atas (riving knife) (8) ke arah tuas penjepit (35) hingga pemegang pelindung atas dapat ditarik ke atas.
- Tarik pemegang pelindung atas (riving knife) ke atas sehingga posisinya benar-benar berada di atas tengah-tengah mata gergaji.
- Kunci kedua pin (37) ke dalam lubang bagian bawah pada pemegang pelindung atas (riving knife) dan kencangkan kembali tuas penjepit (35) *atau* sekrup kepala heksagonal (36).

#### Memasang sisipan meja (lihat gambar b)

- Kaitkan sisipan meja (26) ke dalam lekukan bagian belakang (38) pada poros alat.
- Arahkan sisipan meja ke bawah.
- Tekan pada sisipan meja hingga sisipan meja mengunci di dalam poros alat.

Sisi depan sisipan meja (26) harus terpasang sejajar atau berada sedikit di bawah meja potong, sisi belakangnya harus terpasang sejajar atau berada sedikit di atas meja potong.

#### Memasang tutup pelindung (lihat gambar c1–c2)

**Catatan:** Hanya pasang tutup pelindung jika pemegang pelindung atas (riving knife) telah benar-benar berada pada posisi teratas pada bagian tengah mata gergaji (lihat ilustrasi a2). Jangan memasang tutup pelindung jika pemegang pelindung atas (riving knife) berada pada posisi terbawah (posisi pengiriman atau posisi untuk memotong mur) (lihat ilustrasi a1).

- Kendurkan tuas penjepit (39) dan lepaskan tutup pelindung (6) dari penahannya (34).
- Tahan pelindung mata gergaji (rel logam atas) pada tutup pelindung (6) dengan satu tangan sementara tangan satunya menggerakkan tuas penjepit (39) ke atas.
- Dorong baut pemandu (40) ke belakang ke dalam alur pemegang pelindung atas (riving knife) (8).

- Arahkan tutup pelindung (6) ke bawah hingga pelindung mata gergaji (rel logam atas) berada **sejajar** dengan permukaan atas meja potong (7).

- Tekan tuas penjepit (39) ke bawah. Tuas penjepit harus benar-benar terkunci dan tutup pelindung (6) terpasang dengan kencang.

► **Setiap sebelum digunakan, periksa apakah tutup pelindung dapat bergerak dengan baik. Jangan menggunakan perkakas listrik jika tutup pelindung tidak dapat bergerak bebas dan tidak segera menutup.**

#### Memasang mistar sejajar (lihat gambar d)

Mistar sejajar (10) dapat diatur posisinya di sisi kiri atau kanan dari mata gergaji.

- Kendurkan kenop pengencang (41) mistar sejajar (10). Hal ini akan membebaskan beban pada pemandu V (42).
- Pertama-tama, pasang mistar sejajar dengan pemandu V ke dalam alur pemandu (11) meja potong. Kemudian atur posisi mistar sejajar di dalam alur pemandu depan (1) meja potong.  
Kini mistar sejajar dapat digeser ke arah mana saja.
- Untuk mengencangkan mistar sejajar, tekan kenop pengencang (41) ke bawah.

#### Memasang mistar sejajar tambahan (lihat gambar e) Untuk menggergaji benda kerja yang lebih kecil serta menggergaji sudut potong vertikal, mistar sejajar

tambahan (43) harus dipasang pada mistar sejajar (10). Mistar sejajar tambahan dapat dipasang pada sisi kiri atau kanan pada mistar sejajar (10) sesuai keperluan.

Gunakan set pengencangan "mistar sejajar tambahan" (44) untuk melakukan pemasangan (2 sekrup pemasangan, 2 cincin, 2 mur kupu-kupu).

- Dorong sekrup pemasangan melalui lubang samping pada mistar sejajar (10).
- Kepala baut berfungsi sebagai pemandu mistar sejajar tambahan.
- Dorong mistar sejajar tambahan (43) di atas kepala sekrup pemasangan.
- Letakkan cincin pada sekrup pemasangan dan kencangkan sekrup menggunakan mur kupu-kupu.

#### Memasang mistar sudut (lihat gambar f1–f2)

- Arahkan rel pemandu (45) mistar sudut (3) ke salah satu alur pemandu (5) meja potong yang tersedia.

Untuk memudahkan peletakan benda kerja yang panjang, mistar sudut dapat diperlebar melalui rel profil (29).

- Pasang rel profil ke mistar sudut menggunakan set pemasangan (46) jika diperlukan.

#### Pengisap debu/serbuk gergaji

Debu dari bahan-bahan seperti cat yang mengandung timbal, beberapa jenis kayu, bahan mineral dan logam dapat berbahaya bagi kesehatan. Menyentuh atau menghirup debu tersebut dapat mengakibatkan reaksi alergi dan/atau penyakit saluran pernapasan bagi pengguna atau orang yang berada di dekatnya.

Beberapa debu tertentu seperti misalnya debu kayu pohon ek atau pohon fagus silvatica dianggap dapat mengakibatkan penyakit kanker, terutama dalam campuran dengan bahan-bahan tambahan untuk pengolahan kayu (kromat, obat pengawet kayu). Bahan-bahan yang mengandung asbestos hanya boleh dikerjakan oleh orang-orang yang ahli.

- Gunakanlah hanya pengisap debu yang cocok untuk mengisap bahan yang dikerjakan.
- Pastikan terdapat ventilasi udara yang baik di tempat kerja.
- Dianjurkan untuk memakai masker anti debu dengan filter kelas P2.

Taatilah peraturan-peraturan untuk bahan-bahan yang dikerjakan yang berlaku di negara Anda.

Pengisap debu/serbuk dapat tersumbat oleh debu, serbuk atau serpihan dari benda yang dikerjakan.

- Matikan perkakas listrik dan lepas steker dari stopkontak.
- Tunggu hingga mata gergaji benar-benar berhenti.
- Periksa penyebab tersumbatnya perkakas dan segera perbaiki.

► **Hindari debu yang banyak terkumpul di tempat kerja.** Debu dapat tersulut dengan mudah.

► **Untuk mencegah risiko kebakaran saat menggergaji aluminium, kosongkan ejektor serbuk gergaji dan jangan menggunakan pengisap serbuk gergaji.**

#### Mengosongkan ejektor serbuk gergaji (lihat gambar g)

Untuk membersihkan serpihan benda kerja dan serbuk yang lebih besar, ejektor serbuk gergaji (32) dapat dikosongkan.

- Matikan perkakas listrik dan lepas steker dari stopkontak.
- Tunggu hingga mata gergaji benar-benar berhenti.
- Kendurkan sekrup pemasangan (47) menggunakan kunci L (22).
- Keluarkan ejektor serbuk gergaji (32) dan bersihkan serbuk dan serpihan benda kerja.
- Pasang kembali saluran serbuk pada perkakas listrik.

#### Ekstraksi debu eksternal (lihat gambar h)

Gunakan adaptor pengisap yang disertakan (33) untuk menyambungkan pengisap debu ke ejektor serbuk gergaji (32).

- Pasang adaptor pengisap (33) dan slang pengisap debu dengan kencang.

Mesin pengisap debu harus sesuai dengan bahan yang dikerjakan.

Gunakan mesin pengisap khusus saat mengisap debu yang sangat berbahaya bagi kesehatan, pemicu kanker atau debu kering.

#### Pemasangan stasioner atau fleksibel

► **Untuk menjamin keamanan kerja, perkakas listrik harus dipasang terlebih dulu di tempat kerja yang datar dan stabil (misalnya meja kerja) sebelum digunakan.**

#### Pemasangan di area kerja (lihat gambar i)

- Kencangkan perkakas listrik di atas meja kerja dengan sekrup yang sesuai. Untuk itu, gunakan lubang bor (12).

#### Pemasangan di meja kerja Bosch (lihat gambar j)

Meja kerja Bosch (mis. **GTA 600**) menahan kedudukan perkakas listrik di setiap permukaan dengan kaki yang dapat diatur ketinggiannya.

- **Baca semua petunjuk peringatan keamanan yang tercantum untuk meja kerja.** Jika petunjuk untuk keamanan kerja dan penggunaan tidak dipatuhi, dapat terjadi kontak listrik, kebakaran dan/atau cedera parah.
- **Sebelum memasang perkakas listrik pada meja kerja, rakit dulu meja kerja dengan benar.** Perakitan yang tepat sangat penting dilakukan agar meja kerja tidak roboh.
- Pasang perkakas listrik di meja kerja dengan posisi pengangkutan.

#### Mengganti mata gergaji (lihat gambar k1-k4)

- **Sebelum mulai dengan pekerjaan pada perkakas listrik, tariklah steker dari stopkontak.**
- **Pakailah sarung tangan pelindung pada waktu memasang mata gergaji.** Terdapat risiko cedera.
- **Hanya selalu gunakan mata gergaji dengan kecepatan putaran maksimal yang diizinkan yang lebih tinggi daripada kecepatan putaran tanpa beban dari perkakas listrik.**
- **Gunakanlah hanya mata gergaji yang sesuai dengan data yang tercantum di panduan pengoperasian dan pada perkakas listrik serta telah diuji menurut peraturan EN 847-1, dan sesuai dengan yang digambarkan.**
- **Gunakanlah hanya mata gergaji yang dianjurkan oleh produsen perkakas listrik ini dan yang sesuai dengan bahan yang dikerjakan.**
- **Jangan menggunakan mata gergaji berbahan baja HSS (High-speed Steel).** Mata gergaji dari bahan ini mudah patah.

#### Melepaskan mata gergaji

- Putar engkol (19) searah jarum jam hingga maksimal sehingga mata gergaji (27) berada pada posisi setinggi mungkin di atas meja potong.
- Buka tuas penjepit (39) lalu lepaskan tutup pelindung (6) dari alur pada pemegang pelindung atas (riving knife) (8).
- Tambahkan pada versi negara masing-masing **3 601 M30 5C2** :  
Tekan tombol (48) secara bersamaan dan lepaskan pengunci sentakan (9) dari lubang dalam pemegang pelindung atas (riving knife) (8).
- Angkat sisipan meja (26) depan menggunakan obeng dan lepaskan dari poros alat.
- Putar mur penjepit (49) menggunakan kunci ring (23) sambil menarik tuas pengunci poros (50) secara bersamaan hingga terkunci.



- Tarik dan tahan tuas pengunci poros dan lepaskan mur penjepit dengan cara memutarinya berlawanan arah jarum jam.
- Lepas flensa penjepit (51).
- Lepas mata gergaji (27).

#### Memasang mata gergaji

Jika perlu, bersihkan dahulu semua komponen yang terpasang sebelum melakukan pemasangan.

- Pasang mata gergaji yang baru pada flensa dudukan (53) poros perkakas (52).

**Catatan:** Jangan menggunakan mata gergaji yang terlalu kecil. Celah radial antara mata gergaji dengan pemegang pelindung atas (riving knife) tidak boleh lebih dari 3 – 8 mm.

#### ► Saat memasang mata gergaji, pastikan arah pemotongan gigi (arah panah pada mata gergaji) sesuai dengan arah panah pada pemegang pelindung atas (riving knife)!

- Pasang flensa penjepit (51) dan mur penjepit (49).
- Putar mur penjepit (49) menggunakan kunci ring (23) sambil menarik tuas pengunci poros (50) secara bersamaan hingga terkunci.
- Kencangkan mur penjepit dengan cara memutarinya searah jarum jam.
- Pasang kembali sisipan meja (26).
- Pasang kembali tutup pelindung (6).
- Tambahkan pada versi negara masing-masing **3 601 M30 5C2** :  
Pasang kembali pengunci sentakan (9).

## Pengoperasian

#### ► Sebelum mulai dengan pekerjaan pada perkakas listrik, tariklah steker dari stopkontak.

#### Posisi pengangkutan dan posisi pengoperasian mata gergaji

##### Posisi pengangkutan

- Lepaskan tutup pelindung (6), lepaskan sisipan meja (26) dan atur posisi pemegang pelindung atas (riving knife) (8) pada posisi paling bawah. Pasang kembali sisipan meja (26).
- Putar engkol (19) berlawanan arah jarum jam hingga gigi mata gergaji (27) berada di bawah meja potong (7).
- Dorong pelebaran meja potong (14) ke dalam sepenuhnya.  
Tekan kenop pengencang (16) ke bawah. Dengan demikian, pelebaran meja potong terkunci.

##### Posisi pengoperasian

- Atur posisi pemegang pelindung atas (riving knife) (8) di posisi teratas pada bagian tengah mata gergaji, pasang sisipan meja (26) lalu pasang tutup pelindung (6).
- Putar engkol (19) searah jarum jam hingga gigi atas mata gergaji (27) berada sekitar 3 – 6 mm di atas benda kerja.

#### Mengatur sudut potong vertikal dan horizontal

Untuk menjamin pemotongan yang tepat, penyetelan dasar perkakas listrik harus diperiksa setelah perkakas listrik digunakan secara intensif dan jika perlu lakukan pengaturan.

##### Mengatur sudut potong vertikal (mata gergaji) (lihat gambar A)

Sudut potong vertikal dapat diatur dalam rentang sekitar -2° hingga 47°.

- Kendurkan tuas pengencang (17) berlawanan arah jarum jam.

**Catatan:** Jika tuas pengunci telah benar-benar dikendurkan, mata gergaji akan miring ke satu posisi sekitar 30° akibat gravitasi.

- Tarik atau tekan alat pemutar tangan (18) di sepanjang pemisah hingga indikator sudut (54) menampilkan sudut potong vertikal yang diinginkan.
- Tahan alat pemutar tangan pada posisi ini dan kencangkan kembali tuas pengunci (17).

**Untuk mengatur sudut standar vertikal 0° dan 45° secara cepat dan tepat**, terdapat pembatas ((62), (65)) yang telah diatur dari pabrik.

##### Mengatur sudut potong horizontal (mistar sudut) (lihat gambar B)

Sudut potong horizontal dapat diatur dalam rentang 60° (sisi kiri) hingga 60° (sisi kanan).

- Kendurkan kenop pengunci (56) jika kenop dikencangkan.
- Putar mistar sudut hingga indikator sudut (57) menunjukkan sudut potong yang diinginkan.
- Kencangkan kembali kenop pengunci (56).

#### Memperbesar meja potong

Benda kerja yang panjang dan berat harus dialasi atau ditopang pada ujungnya.

##### Pelebaran meja potong (lihat gambar C)

Pelebaran meja potong (14) akan memperluas area meja potong (7) ke kanan hingga sebesar 625 mm.

- Tarik kenop pengencang (16) untuk memperlebar meja potong ke atas sepenuhnya.
- Tarik pelebaran meja potong (14) ke luar hingga mencapai panjang yang diinginkan.
- Tekan kenop pengencang (16) ke bawah. Dengan demikian, pelebaran meja potong terkunci.

#### Mengatur mistar sejajar

Mistar sejajar dapat diatur posisinya di sisi kiri (skala warna hitam) atau kanan (skala warna perak) dari mata gergaji. Penanda pada kaca pembesar (28) menampilkan jarak mistar sejajar yang diatur ke mata gergaji pada skala (2). Atur posisi mistar sejajar ke sisi mata gergaji yang diinginkan.

### Mengatur mistar sejajar saat meja potong tidak ditarik ke luar

- Kendurkan kenop pengencang (41) mistar sejajar. Geser mistar sejajar hingga penanda pada kaca pembesar (28) menunjukkan jarak yang diinginkan ke mata gergaji. Saat meja potong tidak ditarik ke luar, penanda bawah dari skala berwarna perak (2) akan diterapkan.
- Untuk mengencangkan, tekan kembali kenop pengencang (41) ke bawah.

### Mengatur mistar sejajar saat meja potong tidak ditarik ke luar (lihat gambar D)

- Atur posisi mistar sejajar di sebelah kanan dari mata gergaji. Geser mistar sejajar hingga penanda pada kaca pembesar (28) menunjukkan skala bawah 26 cm. Untuk mengencangkan, tekan kembali kenop pengencang (41) ke bawah.
- Tarik kenop pengencang (16) untuk memperlebar meja potong ke atas sepenuhnya.
- Tarik pelebaran meja potong (14) ke luar hingga penunjuk jarak (58) menunjukkan jarak yang diinginkan ke mata gergaji pada skala atas.
- Tekan kenop pengencang (16) ke bawah. Dengan demikian, pelebaran meja potong terkunci.

### Mengatur mistar sejajar tambahan (lihat gambar E)

#### Untuk menggergaji benda kerja yang lebih kecil dan menggergaji sudut potong vertikal, mistar sejajar tambahan (43) harus dipasang pada mistar sejajar.

Mistar sejajar tambahan dapat dipasang pada sisi kiri atau kanan pada mistar sejajar sesuai keperluan.

Selama penggergajian, benda kerja dapat terjepit di antara mistar sejajar dan mata gergaji, terperangkap oleh mata gergaji yang bergerak naik dan terpendal.

Oleh karena itu, atur mistar sejajar tambahan sedemikian rupa hingga ujung pemandunya berakhir dalam bidang antara gigi mata gergaji yang paling depan dan sisi depan dari pemegang pelindung atas (riving knife).

- Untuk itu, kendurkan semua mur kupu-kupu dari set pemasangan (44) dan geser mistar sejajar tambahan hingga hanya kedua sekrup depan yang digunakan untuk mengencangkan.
- Kencangkan kembali semua mur kupu-kupu.

### Mengatur pemegang pelindung atas (riving knife)

Pemegang pelindung atas (riving knife) (8) mencegah mata gergaji (27) terjepit di dalam torehan pemotongan. Terdapat bahaya terjadinya sentakan jika mata gergaji tersangkut pada benda kerja.

Oleh karena itu, selalu pastikan pemegang pelindung atas (riving knife) telah diatur dengan benar:

- Celah radial antara mata gergaji dengan pemegang pelindung atas (riving knife) tidak boleh lebih dari 3 – 8 mm.

- Ketebalan dari pemegang pelindung atas (riving knife) harus lebih kecil daripada lebar pemotongan dan lebih besar dari ketebalan bilah baja.
- Pemegang pelindung atas (riving knife) harus selalu berada pada satu garis dengan mata gergaji.
- Untuk pemotongan biasa, pemegang pelindung atas (riving knife) harus selalu berada pada posisi setinggi mungkin.

### Mengatur ketinggian pemandu pelindung atas (lihat gambar F)

Untuk memotong alur, setel ketinggian pemegang pelindung atas (riving knife).

#### ► Hanya gunakan perkakas listrik dengan perangkat pelindung yang tepat dan sesuai (misalnya tutup pelindung yang berbentuk terowongan, ring penekan) untuk membuat lubang atau lekukan.

- Buka tuas penjepit (39) lalu lepaskan tutup pelindung (6) dari alur pada pemegang pelindung atas (riving knife) (8). Untuk mencegah kerusakan pada kap pelindung, simpanlah di dalam penahan yang tersedia (34) pada housing (lihat juga gambar 01).
- Tambahan pada versi negara masing-masing **3 601 M30 5C2**: Tekan tombol (48) secara bersamaan dan lepaskan pengunci sentakan (9) dari lubang dalam pemegang pelindung atas (riving knife) (8). Agar pengunci sentakan tersimpan dengan aman, kencangkan pengunci sentakan di dalam penahan yang tersedia (74) pada housing (lihat juga gambar 01).
- Putar engkol (19) searah jarum jam hingga maksimal sehingga mata gergaji (27) berada pada posisi setinggi mungkin di atas meja potong.
- Kendurkan tuas penjepit (35) atau tergantung versi negara masing-masing **3 601 M30 5C2**: Kendurkan sekrup kepala heksagonal (36) dengan kunci L (22).
- Tarik pemegang pelindung atas dari pin (37) (Tarik sedikit tuas penjepit (35) ke luar) lalu dorong pemegang pelindung atas (riving knife) (8) ke bawah hingga maksimal.
- Kunci kedua pin (37) ke dalam lubang bagian atas pada pemegang pelindung atas (riving knife) dan kencangkan kembali tuas penjepit (35).

### Pengoperasian pertama kali

- **Perhatikan tegangan jaringan listrik!** Tegangan jaringan listrik harus sesuai dengan tegangan listrik yang tercantum pada label tipe perkakas listrik.

#### Menghidupkan (lihat gambar G1)

- Buka tutup pengaman (20) ke atas.
- Pada pengoperasian pertama kali, tekan tombol on berwarna hijau (59).
- Tutup kembali tutup pengaman (20).

**Mematikan (lihat gambar G2)**

- Tekan tutup pengaman (20).

**Kegagalan daya**

Tombol on/off adalah switch tegangan nol yang mencegah perkakas listrik menyala kembali setelah kegagalan daya (misalnya steker dicabut dari stopkontak saat pengoperasian).

Untuk mengoperasikan kembali perkakas listrik, tekan kembali tombol on berwarna hijau (59).

**Petunjuk pengoperasian****Petunjuk umum untuk menggergaji**

- ▶ **Pada semua pekerjaan pemotongan, pastikan mata gergaji tidak akan bersentuhan dengan sandaran-sandaran atau bagian-bagian yang lain dari perkakas listrik.**
- ▶ **Hanya gunakan perkakas listrik dengan perangkat pelindung yang tepat dan sesuai (misalnya tutup pelindung yang berbentuk terowongan, ring penekan) untuk membuat lubang atau lekukan.**
- ▶ **Jangan menggunakan perkakas listrik untuk menebas (alur yang berakhir pada benda kerja).**

Lindungilah mata gergaji terhadap benturan dan tumbukan. Jangan menekan mata gergaji dari samping.

Pemegang pelindung atas (riving knife) harus berada pada satu garis lurus dengan mata gergaji supaya benda kerja tidak tersangkut.

Jangan melakukan pengerjaan pada benda yang bengkok. Benda kerja harus selalu mempunyai pinggiran yang lurus untuk diletakkan pada mistar sejajar.

Selalu simpan tongkat pendorong pada perkakas listrik.

**Posisi pengguna perkakas listrik (lihat gambar H)**

- ▶ **Jangan pernah berdiri searah dengan bilah gergaji. Selalu posisikan tubuh Anda di sisi yang sama dengan penahan pada sisi bilah gergaji.** Sentakan dapat melontarkan benda kerja dengan kecepatan tinggi ke arah siapa pun yang berdiri di depan atau searah dengan bilah gergaji.
- Jauhkan tangan, jari dan lengan dari mata gergaji yang berputar.

Perhatikanlah petunjuk-petunjuk berikut:

- Pegang benda kerja dengan aman dengan kedua tangan dan tekan dengan kuat ke meja potong.
- Untuk benda kerja yang berukuran kecil dan untuk menggergaji sudut potong vertikal, selalu gunakan tuas pendorong (24) yang disediakan dan mistar sejajar tambahan (43).

**Ukuran benda kerja maksimal**

sudut potong vertikal	ketinggian maks. benda kerja [mm]
0°	79
45°	56

**Menggergaji****Menggergaji lurus**

- Atur mistar sejajar pada lebar pemotongan yang diinginkan.
- Letakkan benda kerja di atas meja potong di depan tutup pelindung (6).
- Gunakan engkol (19) untuk mengangkat atau menurunkan mata gergaji setinggi atau serendah mungkin hingga gigi bagian atas mata gergaji (27) berada pada posisi sekitar 3 – 6 mm di atas benda kerja.
- Hidupkan perkakas listrik.
- Gergaji benda kerja dengan dorongan yang merata. Jika terlalu banyak tekanan yang diberikan, ujung mata gergaji dapat menjadi terlalu panas dan merusak benda kerja.
- Matikan perkakas listrik dan tunggu hingga mata gergaji benar-benar berhenti.

**Menggergaji sudut potong vertikal**

- Atur sudut potong vertikal mata gergaji yang diinginkan. Jika mata gergaji dimiringkan ke kiri, mistar sejajar harus berada di sisi kanan mata gergaji.
- Ikuti langkah kerja sesuai: (lihat „Menggergaji lurus“, Halaman 105)

**Menggergaji sudut potong horizontal (lihat gambar I)**

- Atur sudut potong horizontal yang diinginkan pada mistar sudut (3).
- Letakkan benda kerja pada rel profil (29). Profil tidak boleh berada pada garis pemotongan. Pada situasi ini, kendurkan mur bergerigi (60) dan geser rel profil.
- Gunakan engkol (19) untuk mengangkat atau menurunkan mata gergaji setinggi atau serendah mungkin hingga gigi bagian atas mata gergaji (27) berada pada posisi sekitar 3 – 6 mm di atas benda kerja.
- Hidupkan perkakas listrik.
- Tekan benda kerja pada rel profil (29) dengan satu tangan sementara tangan satunya berada pada kenop pengunci (56) untuk mendorong mistar sudut perlahan ke depan di dalam alur pemandu (5).
- Matikan perkakas listrik dan tunggu hingga mata gergaji benar-benar berhenti.

**Memeriksa dan mengatur pengaturan dasar**

Untuk menjamin pemotongan yang tepat, penyetulan dasar perkakas listrik harus diperiksa setelah perkakas listrik digunakan secara intensif dan jika perlu lakukan pengaturan. Untuk melakukannya, diperlukan pengalaman dan perkakas khusus yang sesuai.

Pusat layanan pelanggan Bosch akan melakukan pekerjaan ini dengan cepat dan baik.

**Mengatur pembatas untuk sudut potong vertikal standar 0°/45°**

- Atur perkakas listrik pada posisi pengoperasian.
- Atur sudut potong vertikal mata gergaji pada sudut 0°.

- Lepas tutup pelindung (6).

#### Memeriksa (lihat gambar J1)

- Atur mistar pengukur sudut pada 90° dan letakkan di atas meja potong (7).

Kaki pengukur sudut harus sejajar dengan mata gergaji (27).

#### Mengatur (lihat gambar J2)

- Kendurkan sekrup (61). Dengan demikian, pembatas 0° (62) dapat digerakkan.
- Kendurkan tuas pengunci (17).
- Dorong alat putar tangan (18) ke pembatas 0° hingga kaki pengukur sudut sejajar dengan mata gergaji.
- Tahan alat putar tangan pada posisi ini dan kencangkan kembali tuas pengunci (17).
- Kencangkan kembali sekrup (61).

Setelah dilakukan pengaturan, jika indikator sudut (54) tidak berada dalam satu garis dengan tanda 0° pada skala (55), kendurkan sekrup (63) dengan obeng kembang dan arahkan indikator sudut ke sepanjang tanda 0°.

Ulangi langkah kerja di atas untuk sudut potong vertikal 45° (Mengendurkan sekrup (64); Menggeser pembatas 45° (65)). Indikator sudut (54) tidak boleh disetel kembali.

#### Kesejajaran mata gergaji pada alur pemandu mistar sudut (lihat gambar K)

- Atur perkakas listrik pada posisi pengoperasian.
- Lepas tutup pelindung (6).

#### Memeriksa

- Gunakan pensil untuk menandai gigi gergaji kiri pertama yang terlihat di belakang di atas sisipan meja.
- Atur pengukur sudut sebesar 90° dan letakkan ke tepi alur pemandu (5).
- Geser kaki pengukur sudut hingga menyentuh gigi gergaji yang ditandai dan bacalah jarak antara mata gergaji ke alur pemandu.
- Putar mata gergaji hingga gigi yang ditandai berada di depan di atas sisipan meja.
- Geser mistar pengukur sudut sepanjang alur pemandu sampai gigi mata gergaji yang diberi tanda.
- Ukur kembali jarak antara mata gergaji dan alur pemandu. Kedua jarak yang diukur harus sama.

#### Mengatur

- Kendurkan sekrup kepala heksagonal (66) di depan di bawah meja potong dan sekrup kepala heksagonal (67) di belakang di bawah meja potong menggunakan kunci L yang tersedia (22).
- Gerakkan mata gergaji dengan hati-hati hingga mata gergaji sejajar dengan alur pemandu (5).
- Kencangkan kembali semua sekrup (66) dan (67).

#### Mengatur penunjuk jarak meja potong (lihat gambar L)

- Atur posisi mistar sejajar di sisi kanan dari mata gergaji. Geser mistar sejajar hingga penanda pada kaca pembesar (28) menunjukkan skala bawah 26 cm. Untuk mengencangkan, tekan kembali kenop pengencang (41) ke bawah.

- Tarik kenop pengencang (16) ke atas sepenuhnya lalu tarik pelebaran meja potong (14) ke luar hingga maksimal.

#### Memeriksa

Skala atas (2) pada penunjuk jarak (58) harus menampilkan nilai yang sama dengan penanda pada kaca pembesar (28) pada skala bawah (2).

#### Mengatur

- Tarik ke luar pelebaran meja potong (14) hingga maksimal.
- Kendurkan sekrup (68) menggunakan obeng kembang lalu arahkan penunjuk jarak (58) ke sepanjang 26 tanda cm skala atas (2).

#### Mengatur kesejajaran mistar sejajar (lihat gambar M)

- Atur perkakas listrik pada posisi pengoperasian.
- Lepas tutup pelindung (6).
- Kendurkan kenop pengencang (41) mistar sejajar dan geser hingga menyentuh mata gergaji.

#### Memeriksa

Mistar sejajar harus menyentuh sepanjang mata gergaji.

#### Mengatur

- Kendurkan semua sekrup kepala heksagonal (69) menggunakan kunci L yang tersedia (22).
- Gerakkan mistar sejajar dengan hati-hati hingga menyentuh sepanjang mata gergaji.
- Tahan mistar sejajar pada posisi ini dan tekan kembali kenop pengencang (41) ke bawah.
- Kencangkan kembali sekrup kepala heksagonal (69).

#### Mengatur daya penjepitan mistar sejajar

Daya jepit mistar sejajar dapat menurun setelah sering digunakan.

- Kencangkan sekrup pengatur (25) hingga mistar sejajar dapat dipasang kembali pada meja gergaji dengan kencang.

#### Mengatur kaca pembesar mistar sejajar (lihat gambar M)

- Atur perkakas listrik pada posisi pengoperasian.
- Lepas tutup pelindung (6).
- Geser mistar sejajar dari kanan hingga mistar menyentuh mata gergaji.

#### Memeriksa

Penanda kaca pembesar (28) harus berada segaris dengan tanda 0 mm pada skala (2).

#### Mengatur

- Kendurkan sekrup (70) dengan obeng kembang dan arahkan penanda ke sepanjang tanda 0 mm.

#### Mengatur ketinggian sisipan meja (lihat gambar N)

#### Memeriksa

Sisi depan sisipan meja (26) harus terpasang rata atau berada sedikit di bawah meja potong, sisi belakangnya harus terpasang rata atau berada sedikit di atas meja potong.

#### Mengatur

- Lepaskan sisipan meja (26).

- Menggunakan kunci L (**22**), atur ketinggian keempat sekrup pengatur (**71**) dengan tepat.

## Penyimpanan dan pengangkutan

### Menyimpan komponen perangkat (lihat gambar O1–O5)

Perkakas listrik memiliki tempat untuk menyimpan komponen perangkat tertentu dengan aman.

- Lepaskan mistar sejajar tambahan (**43**) dari mistar sejajar .
- Simpan semua komponen perangkat yang dilepas ke dalam tempat penyimpanan pada housing (lihat tabel berikut).

Gambar	Komponen perangkat	Tempat penyimpanan
O1	Tutup pelindung ( <b>6</b> )	kaitkan ke dalam lekukan penahan ( <b>34</b> ) dan kencangkan dengan tuas penjepit ( <b>39</b> )
O1	Pengunci sentakan ( <b>9</b> ) (tergantungan versi negara masing-masing <b>3 601 M30 5C2</b> )	Tekan tombol ( <b>48</b> ) secara bersamaan dan kunci di dalam lubang penahan ( <b>74</b> )
O2	Set pengencangan "mistar sejajar tambahan" ( <b>44</b> )	kaitkan ke dalam penahan ( <b>72</b> )
O2	Adaptor pengisap ( <b>33</b> )	geser ke dalam klip penahan ( <b>73</b> )
O3	Kunci ring ( <b>23</b> )	kencangkan menggunakan mur pengencang ( <b>75</b> ) di dalam kompartemen penyimpanan
O3	Tuas pendorong ( <b>24</b> )	kaitkan menggunakan mur pengencang ( <b>75</b> ) dan kencangkan dengan cara menggesernya
O4	Mistar sejajar	putar, kaitkan dari bawah ke dalam rel pemandu dan kencangkan kenop pengencang ( <b>41</b> )
O5	Kunci L ( <b>22</b> ) Kunci L ( <b>21</b> )	geser ke dalam penahan ( <b>76</b> )
O5	Mistar sudut ( <b>3</b> )	geser ke dalam klip penahan ( <b>77</b> )
O5	Mistar sejajar tambahan ( <b>43</b> )	geser ke dalam klip penahan ( <b>31</b> ) (sisi pendek menghadap atas; sisi panjang menghadap belakang)

### Mengangkat perkakas listrik

Sebelum mengangkat perkakas listrik, langkah-langkah berikut harus dilakukan:

- Posisikan perkakas listrik pada posisi pengangkutan.
- Lepas semua komponen aksesoris yang tidak dapat dipasang dengan kencang pada perkakas listrik.

Selama pengangkutan, mata gergaji yang tidak dipakai sebaiknya disimpan di dalam tempat tertutup.

- Dorong pelebaran meja potong (**14**) sepenuhnya ke dalam dan tekan gagang pengencang (**16**) ke bawah untuk mengencangkannya.
  - Gulung kabel pada penahan kabel (**30**).
  - Gunakan gagang angkat (**13**) untuk mengangkat atau mengangkut.
- **Saat mengangkat perkakas listrik, hanya gunakan komponen transpor dan jangan pernah menggunakan komponen perlindungan.**

## Perawatan dan servis

### Perawatan dan pembersihan

- **Sebelum mulai dengan pekerjaan pada perkakas listrik, tariklah steker dari stopkontak.**
- **Perkakas listrik dan lubang ventilasi harus selalu dibersihkan agar perkakas dapat digunakan dengan baik dan aman.**

Jika kabel listrik harus diganti, pekerjaan ini harus dilakukan oleh **Bosch** atau Service Center untuk perkakas listrik **Bosch** resmi agar keselamatan kerja selalu terjamin.

### Pembersihan

Setelah setiap penggunaan, bersihkan perkakas listrik dari debu dan serbuk dengan cara ditiup dengan udara bertekanan atau dengan kuas.

### Melumasi perkakas listrik

#### Pelumas:

Oli mesin SAE 10/SAE 20

- Jika perlu, lumasi perkakas listrik pada bagian-bagian yang ditunjukkan (lihat gambar P).

Service Center Bosch resmi akan melakukan pengerjaan tersebut dengan cepat dan andal.

- **Buanglah zat pelumas dan pembersih berdasarkan aturan lingkungan yang berlaku. Taatilah peraturan yang berlaku.**

### Tindakan untuk mengurangi kebisingan

Tindakan oleh produsen:

- Awalan start yang perlahan
- Perkakas listrik dipasok dengan mata gergaji yang dirancang khusus untuk mengurangi kebisingan

Tindakan oleh pengguna perkakas:

- Pasang perkakas listrik pada bidang kerja yang stabil sehingga vibrasi berkurang
- Gunakan mata gergaji dengan fungsi mengurangi kebisingan
- Bersihkan mata gergaji dan perkakas listrik secara berkala

### Aksesori

	Nomor seri
Kantung debu	2 610 015 511

	Nomor seri
Adaptor pengisap	2 610 015 509
Adaptor Y TSVH 3	2 610 015 513
Mistar sudut	2 610 015 507
Tuas pendorong	2 610 015 022
Meja kerja GTA 600	0 601 B22 001
<b>Mata gergaji untuk kayu dan material tipis, panel dan lis</b>	
Mata gergaji 254 x 25,4 mm, 40 gigi	2 608 640 901
Mata gergaji 254 x 25,4 mm, 60 gigi	2 608 640 902

### Layanan pelanggan dan konsultasi penggunaan

Layanan pelanggan Bosch menjawab semua pertanyaan Anda tentang reparasi dan perawatan serta tentang suku cadang produk ini. Gambaran teknis (exploded view) dan informasi mengenai suku cadang dapat ditemukan di:

#### www.bosch-pt.com

Tim konsultasi penggunaan Bosch akan membantu Anda menjawab pertanyaan seputar produk kami beserta aksesorinya.

Jika Anda hendak menanyakan sesuatu atau memesan suku cadang, selalu sebutkan nomor model yang terdiri dari 10 angka dan tercantum pada label tipe produk.

#### Indonesia

PT Robert Bosch  
Palma Tower 10th Floor  
Jalan RA Kartini II-S Kaveling 6  
Pondok Pinang, Kebayoran Lama  
Jakarta Selatan 12310  
Tel.: (021) 3005 5800  
Fax: (021) 3005 5801  
E-Mail: boschpowertools@id.bosch.com  
www.bosch-pt.co.id

#### Alamat layanan lainnya dapat ditemukan di:

www.bosch-pt.com/serviceaddresses

### Cara membuang

Perkakas listrik, aksesoris, dan kemasan sebaiknya didaur ulang secara ramah lingkungan.



Jangan membuang perkakas listrik ke dalam tempat sampah rumah tangga!

## Tiếng Việt

### Hướng dẫn an toàn

#### Hướng dẫn an toàn chung cho dụng cụ điện

**⚠ CẢNH BÁO** Hãy đọc toàn bộ các cảnh báo an toàn, hướng dẫn, hình ảnh và thông số kỹ thuật được cung cấp cho dụng cụ điện cầm tay này. Không tuân thủ mọi hướng dẫn được liệt kê dưới đây có thể bị điện giật, gây cháy và /hay bị thương tật nghiêm trọng. **Hãy giữ tất cả tài liệu về cảnh báo và hướng dẫn để tham khảo về sau.**

Thuật ngữ "dụng cụ điện cầm tay" trong phần cảnh báo là đề cập đến sự sử dụng dụng cụ điện cầm tay của bạn, loại sử dụng điện nguồn (có dây cắm điện) hay vận hành bằng pin (không dây cắm điện).

#### Khu vực làm việc an toàn

- ▶ **Giữ nơi làm việc sạch và đủ ánh sáng.** Nơi làm việc bừa bộn và tối tăm dễ gây ra tai nạn.
- ▶ **Không vận hành dụng cụ điện cầm tay trong môi trường dễ gây nổ, chẳng hạn như nơi có chất lỏng dễ cháy, khí đốt hay rác.** Dụng cụ điện cầm tay tạo ra các tia lửa nên có thể làm rác bén cháy hay bốc khói.
- ▶ **Không để trẻ em hay người đến xem đứng gần khi vận hành dụng cụ điện cầm tay.** Sự phân tâm có thể gây ra sự mất điều khiển.

#### An toàn về điện

- ▶ **Phích cắm của dụng cụ điện cầm tay phải thích hợp với ổ cắm.** Không bao giờ được cài biến lại phích cắm dưới mọi hình thức. Không được sử dụng phích cắm hợp nối tiếp đất (dây mát). Phích cắm nguyên bản và ổ cắm đúng loại sẽ làm giảm nguy cơ bị điện giật.
- ▶ **Tránh không để thân thể tiếp xúc với đất hay các vật có bề mặt tiếp đất như đường ống, lò sưởi, hàng rào và tủ lạnh.** Có nhiều nguy cơ bị điện giật hơn nếu cơ thể bạn bị tiếp hay nối đất.
- ▶ **Không được để dụng cụ điện cầm tay ngoài mưa hay ở tình trạng ẩm ướt.** Nước vào máy sẽ làm tăng nguy cơ bị điện giật.
- ▶ **Không được lạm dụng dây dẫn điện.** Không bao giờ được nắm dây dẫn để xách, kéo hay rút phích cắm dụng cụ điện cầm tay. Không để dây gần nơi có nhiệt độ cao, dầu nhớt, vật nhọn bén và bộ phận chuyển động. Làm hỏng hay cuộn rối dây dẫn làm tăng nguy cơ bị điện giật.
- ▶ **Khi sử dụng dụng cụ điện cầm tay ngoài trời, dùng dây nối thích hợp cho việc sử dụng ngoài trời.** Sử dụng dây nối thích hợp cho việc sử dụng ngoài trời làm giảm nguy cơ bị điện giật.



- ▶ **Nếu việc sử dụng dụng cụ điện cầm tay ở nơi ẩm ướt là không thể tránh được, dùng thiết bị ngắt mạch tự động (RCD) bảo vệ nguồn.** Sử dụng thiết bị ngắt mạch tự động RCD làm giảm nguy cơ bị điện giật.

#### An toàn cá nhân

- ▶ **Hãy tỉnh táo, biết rõ mình đang làm gì và hãy sử dụng ý thức khi vận hành dụng cụ điện cầm tay.** Không sử dụng dụng cụ điện cầm tay khi đang mệt mỏi hay đang bị tác động do chất gây nghiện, rượu hay dược phẩm gây ra. Một thoáng mất tập trung khi đang vận hành dụng cụ điện cầm tay có thể gây thương tích nghiêm trọng cho bản thân.
- ▶ **Sử dụng trang bị bảo hộ cá nhân.** Luôn luôn đeo kính bảo vệ mắt. Trang bị bảo hộ như khẩu trang, giày chống trượt, nón bảo hộ, hay dụng cụ bảo vệ tai khi được sử dụng đúng nơi đúng chỗ sẽ làm giảm nguy cơ thương tật cho bản thân.
- ▶ **Phòng tránh máy khởi động bất ngờ.** Bảo đảm công tắc máy ở vị trí tắt trước khi cắm vào nguồn điện và/hay lắp pin vào, khi nhắc máy lên hay khi mang xách máy. Ngáng ngón tay vào công tắc máy để xách hay kích hoạt dụng cụ điện cầm tay khi công tắc ở vị trí mở dễ dẫn đến tai nạn.
- ▶ **Lấy mọi chìa hay khóa điều chỉnh ra trước khi mở điện dụng cụ điện cầm tay.** Khóa hay chìa còn gắn dính vào bộ phận quay của dụng cụ điện cầm tay có thể gây thương tích cho bản thân.
- ▶ **Không rướn người.** Luôn luôn giữ tư thế đứng thích hợp và thẳng bằng. Điều này tạo cho việc điều khiển dụng cụ điện cầm tay tốt hơn trong mọi tình huống bất ngờ.
- ▶ **Trang phục thích hợp.** Không mặc quần áo rộng lủng thùng hay mang trang sức. Giữ tóc và quần áo xa khỏi các bộ phận chuyển động. Quần áo rộng lủng thùng, đồ trang sức hay tóc dài có thể bị cuốn vào các bộ phận chuyển động.
- ▶ **Nếu có các thiết bị đi kèm để nối máy hút bụi và các phụ kiện khác, bảo đảm các thiết bị này được nối và sử dụng tốt.** Việc sử dụng các thiết bị gom hút bụi có thể làm giảm các độc hại liên quan đến bụi gây ra.
- ▶ **Không để thói quen do sử dụng thường xuyên dụng cụ khiến bạn trở nên chủ quan và bỏ qua các quy định an toàn dụng cụ.** Một hành vi bất cẩn có thể gây ra thương tích nghiêm trọng chỉ trong tích tắc.

#### Sử dụng và bảo dưỡng dụng cụ điện cầm tay

- ▶ **Không được ép máy.** Sử dụng dụng cụ điện cầm tay đúng loại theo đúng ứng dụng của bạn. Dụng cụ điện cầm tay đúng chức năng sẽ

làm việc tốt và an toàn hơn theo đúng tiến độ mà máy được thiết kế.

- ▶ **Không sử dụng dụng cụ điện cầm tay nếu như công tắc không tắt và mở được.** Bất kỳ dụng cụ điện cầm tay nào mà không thể điều khiển được bằng công tắc là nguy hiểm và phải được sửa chữa.
- ▶ **Rút phích cắm ra khỏi nguồn điện và/hay pin ra khỏi dụng cụ điện cầm tay nếu có thể tháo được, trước khi tiến hành bất kỳ điều chỉnh nào, thay phụ kiện, hay cất dụng cụ điện cầm tay.** Các biện pháp ngăn ngừa như vậy làm giảm nguy cơ dụng cụ điện cầm tay khởi động bất ngờ.
- ▶ **Cất giữ dụng cụ điện cầm tay không dùng tới nơi trẻ em không lấy được và không cho người chưa từng biết dụng cụ điện cầm tay hay các hướng dẫn này sử dụng dụng cụ điện cầm tay.** Dụng cụ điện cầm tay nguy hiểm khi ở trong tay người chưa được chỉ cách sử dụng.
- ▶ **Bảo quản dụng cụ điện cầm tay và các phụ kiện.** Kiểm tra xem các bộ phận chuyển động có bị sai lệch hay kẹt, các bộ phận bị rạn nứt và các tình trạng khác có thể ảnh hưởng đến sự vận hành của máy. Nếu bị hư hỏng, phải sửa chữa máy trước khi sử dụng. Nhiều tai nạn xảy ra do bảo quản dụng cụ điện cầm tay tồi.
- ▶ **Giữ các dụng cụ cắt bén và sạch.** Bảo quản đúng cách các dụng cụ cắt có cạnh cắt bén làm giảm khả năng bị kẹt và dễ điều khiển hơn.
- ▶ **Sử dụng dụng cụ điện cầm tay, phụ kiện, đầu cài v. v., đúng theo các chỉ dẫn này, hãy lưu ý đến điều kiện làm việc và công việc phải thực hiện.** Sự sử dụng dụng cụ điện cầm tay khác với mục đích thiết kế có thể tạo nên tình huống nguy hiểm.
- ▶ **Giữ tay cầm và bề mặt nắm luôn khô ráo, sạch sẽ và không dính dầu mỡ.** Tay cầm và bề mặt nắm trơn trượt không đem lại thao tác an toàn và kiểm soát dụng cụ trong các tình huống bất ngờ.

#### Bảo dưỡng

- ▶ **Đưa dụng cụ điện cầm tay của bạn đến thợ chuyên môn để bảo dưỡng, chỉ sử dụng phụ tùng đúng chủng loại để thay.** Điều này sẽ đảm bảo sự an toàn của máy được giữ nguyên.

#### Hướng dẫn an toàn cho máy cưa bàn

##### Các cảnh báo liên quan đến tấm chắn bảo vệ

- ▶ **Giữ tấm chắn bảo vệ tại chỗ.** Tấm chắn bảo vệ phải hoạt động tốt và được lắp đúng cách. Phải sửa chữa hoặc thay thế tấm chắn bảo vệ bị lỏng, bị hư hỏng, hoặc không hoạt động đúng cách.

- ▶ **Luôn sử dụng tấm chắn bảo vệ lưỡi cưa, chêm mở mạch cưa và thiết bị chống đẩy ngược cho mọi thao tác cắt đứt.** Đối với các thao tác cắt đứt khi lưỡi cưa cắt hoàn toàn qua chiều dày của phôi gia công, tấm chắn bảo vệ và các thiết bị an toàn khác sẽ giúp giảm nguy cơ gây tổn thương.
- ▶ **Gắn lại ngay lập tức hệ thống chắn bảo vệ sau khi hoàn thành một hoạt động (như cắt xoi rãnh, cắt ốp tường hoặc cắt xẻ ván) mà yêu cầu phải tháo gỡ tấm chắn bảo vệ, chêm mở mạch cưa và/hoặc thiết bị chống đẩy ngược.** Tấm chắn bảo vệ, chêm mở mạch cưa và thiết bị chống đẩy ngược giúp giảm nguy cơ gây tổn thương.
- ▶ **Đảm bảo lưỡi cưa không tiếp xúc với tấm chắn bảo vệ, chêm mở mạch cưa hoặc phôi gia công trước khi bắt công tác.** Sự tiếp xúc vô tình của các bộ phận này với lưỡi cưa có thể gây ra tình trạng nguy hiểm.
- ▶ **Điều chỉnh chêm mở mạch cưa như được mô tả trong tài liệu hướng dẫn này.** Việc đặt, định vị và căn chỉnh sai có thể làm cho chêm mở mạch cưa mất tác dụng làm giảm khả năng sinh ra lực phản hồi.
- ▶ **Để cho chêm mở mạch cưa và thiết bị chống đẩy ngược có tác dụng, cần phải gài nó vào phôi gia công.** Chêm mở mạch cưa và thiết bị chống đẩy ngược không hiệu quả khi cắt các phôi gia công có kích cỡ quá ngắn để gắn với chêm mở mạch cưa và thiết bị chống đẩy ngược. Trong trường hợp này, không thể ngăn chặn được lực phản hồi bằng chêm mở mạch cưa và thiết bị chống đẩy ngược.
- ▶ **Hãy sử dụng lưỡi cưa phù hợp để làm chêm mở mạch cưa.** Để chêm mở mạch cưa hoạt động đúng, đường kính lưỡi cưa phải vừa khớp với chêm mở mạch cưa và thân lưỡi cưa phải mỏng hơn độ dày của chêm mở mạch cưa và độ rộng cắt của lưỡi cưa phải rộng hơn độ dày của chêm mở mạch cưa.

#### Các cảnh báo về quy trình cắt

- ▶ **⚠ NGUY HIỂM: Không được đặt ngón tay hoặc bàn tay của bạn gần hoặc song song với lưỡi cưa.** Một thoáng vô tình hoặc bị trượt có thể hướng bàn tay bạn về phía lưỡi cưa và gây ra thương tích nghiêm trọng.
- ▶ **Chỉ đưa phôi gia công vào lưỡi cưa ngược với hướng xoay.** Việc đưa phôi gia công theo cùng hướng mà lưỡi cưa đang xoay phía trên bàn cưa có thể khiến phôi gia công và bàn tay của bạn bị cuốn vào lưỡi cưa.
- ▶ **Không được sử dụng cữ vát mép để nạp phôi gia công khi xẻ và không được sử dụng cữ dọc làm cữ chặn chiều dài khi cắt ngang bằng cữ vát mép.** Dẫn phôi gia công bằng cữ

đọc và cữ vát mép cùng lúc sẽ làm tăng khả năng xảy ra kẹt lưỡi cưa và lực phản hồi.

- ▶ **Khi xẻ, luôn dùng lực để nạp phôi gia công giữa cữ chặn và lưỡi cưa. Sử dụng que đẩy khi khoảng cách giữa cữ chặn và lưỡi cưa nhỏ hơn 150 mm, và sử dụng khối đẩy khi khoảng cách này nhỏ hơn 50 mm.** Các thiết bị "hỗ trợ làm việc" sẽ giữ tay bạn ở khoảng cách an toàn với lưỡi cưa.
- ▶ **Chỉ sử dụng que đẩy do nhà sản xuất cung cấp hoặc được chế tạo phù hợp với các hướng dẫn.** Que đẩy này tạo khoảng cách đủ an toàn từ bàn tay đến lưỡi cưa.
- ▶ **Không được sử dụng que đẩy bị hỏng hoặc bị đứt.** Que đẩy hỏng có thể bị gãy khiến tay bạn trượt vào lưỡi cưa.
- ▶ **Không thực hiện bất kỳ thao tác nào "rảnh tay". Luôn sử dụng cữ dọc hoặc cữ vát mép để định vị và dẫn phôi gia công.** "Rảnh tay" nghĩa là sử dụng bàn tay để đỡ hoặc dẫn phôi gia công, thay vì dùng một cữ chặn hoặc cữ vát mép. Cưa bằng tay dẫn đến căn chỉnh sai, kẹt và lực phản hồi.
- ▶ **Không được với xung quanh hoặc với qua lưỡi cưa đang quay.** Việc với một phôi gia công có thể dẫn đến tiếp xúc vô tình với lưỡi cưa đang chuyển động.
- ▶ **Sử dụng vật đỡ phôi gia công phụ cho phía sau và/hoặc các bên của lưỡi cưa đối với các phôi gia công dài và/hoặc rộng để giữ chúng cân bằng.** Một phôi gia công dài và/hoặc rộng có khuynh hướng xoay trên mép của bàn cưa, gây ra mất kiểm soát, kẹt và phản hồi lưỡi cưa.
- ▶ **Nạp phôi gia công ở một nhịp độ đều. Không được uốn cong hoặc xoắn phôi gia công. Nếu xảy ra kẹt, hãy tắt dụng cụ ngay lập tức, rút phích cắm dụng cụ sau đó gỡ bỏ vật kẹt.** Kẹt lưỡi cưa do phôi gia công có thể gây ra lực phản hồi hoặc làm ngừng chạy động cơ.
- ▶ **Không được gỡ bỏ các mảnh vật liệu cắt trong khi cưa đang chạy.** Vật liệu có thể bị kẹt giữa cữ chặn hoặc bên trong tấm chắn bảo vệ lưỡi cưa và lưỡi cưa và nó có thể cuốn ngón tay của bạn vào lưỡi cưa. Tắt máy cưa và chờ cho đến khi lưỡi cưa dừng lại trước khi gỡ vật liệu.
- ▶ **Sử dụng cữ chặn phụ tiếp xúc với mặt bàn cưa khi xẻ phôi gia công dày dưới 2 mm.** Phôi gia công mỏng có thể chêm dưới thanh cữ và tạo ra lực đẩy ngược.

#### Nguyên nhân gây ra lực phản hồi và các cảnh báo liên quan

Lực phản hồi là một lực tác động đột ngột của phôi gia công do lưỡi cưa bị bó, kẹt hoặc bị lệch đường cắt trên phôi gia công so với lưỡi cưa hoặc khi một bộ phận của phôi gia công kẹt giữa lưỡi cưa và cữ chặn hoặc vật thể cố định khác.

Thường xuyên nhất trong lúc có lực phản hồi, phôi gia công được nâng lên từ bàn cửa bằng phần phía sau của lưỡi cửa và được đẩy về phía người vận hành.

Lực phản hồi là do việc sử dụng sai và/hoặc quy trình hoặc điều kiện vận hành sai máy cửa và có thể phòng tránh bằng cách áp dụng các biện pháp phòng ngừa phù hợp được nêu dưới đây.

- ▶ **Không được đứng song song với lưỡi cửa.**  
Luôn đặt cơ thể của bạn ở cùng một phía với lưỡi cửa như cũ chặn. Lực phản hồi có thể đẩy phôi gia công ở tốc độ cao về phía bất cứ người nào đứng trước và song song với lưỡi cửa.
- ▶ **Không được với qua hoặc với ra sau lưỡi cửa để kéo hoặc đỡ phôi gia công.** Có thể xảy ra tiếp xúc vô tình với lưỡi cửa hoặc lực phản hồi có thể kéo ngón tay của bạn vào lưỡi cửa.
- ▶ **Không được giữ và ấn phôi gia công đang được cắt rời tựa vào lưỡi cửa đang quay.** Ấn phôi gia công đang cắt rời tựa vào lưỡi cửa sẽ gây kẹt và lực phản hồi.
- ▶ **Cân chỉnh cũ chặn song song với lưỡi cửa.** Cũ chặn bị lệch sẽ bó phôi gia công vào lưỡi cửa và tạo ra lực phản hồi.
- ▶ **Sử dụng một ván cắt vát mỏng để dẫn phôi gia công tựa vào bàn cửa và cũ chặn khi thực hiện các đường cắt không dứt như cắt xoi rãnh, cắt ốp tường hoặc cắt xẻ ván.** Ván cắt vát mỏng giúp kiểm soát phôi gia công trong trường hợp có lực phản hồi.
- ▶ **Sử dụng các panô lớn để giảm thiểu rủi ro bị kẹt lưỡi cửa và lực phản hồi.** Các panô lớn thường võng xuống dưới trọng lượng riêng của chúng. (Các) vật đỡ phải được đặt dưới tất cả các phần của panô treo phía trên mặt bàn cửa.
- ▶ **Sử dụng cẩn thận khi cắt một phôi gia công bị xoắn, có mắt, vênh hoặc không có mép thẳng để dẫn hướng phôi gia công bằng cũ vát mép hoặc cũ chặn.** Một phôi gia công vênh, có mắt, hoặc bị xoắn thường gõ ghê và gây lệch rãnh cửa với lưỡi cửa, gây ra kẹt và lực phản hồi.
- ▶ **Không được cắt nhiều hơn một phôi gia công, được xếp chồng theo chiều dọc hoặc chiều ngang.** Lưỡi cửa có thể lượm một hoặc nhiều mảnh và gây ra lực phản hồi.
- ▶ **Khi khởi động lại cửa có gắn lưỡi cửa đang ở trong phôi gia công, chỉnh tâm lưỡi cửa vào đúng rãnh cửa sao cho rãnh cửa không bị mắc vào vật liệu.** Nếu lưỡi cửa bị kẹt, nó có thể nâng phôi gia công lên và gây ra lực phản hồi khi cửa được khởi động.
- ▶ **Giữ các lưỡi cửa sạch sẽ, sắc nhọn, và đủ bộ.** Không sử dụng các lưỡi cửa bị vênh hoặc các lưỡi cửa có rãnh bị vỡ hoặc gãy. Các lưỡi cửa sắc và được đặt đúng sẽ làm giảm kẹt, dừng và lực phản hồi.

### Các cảnh báo về quy trình vận hành máy cửa bàn

- ▶ **Tắt máy cửa bàn và ngắt kết nối dây nguồn khi tháo chi tiết chèn bàn cửa, thay lưỡi cửa hoặc điều chỉnh cho chêm mở mạch cửa thiết bị chống đẩy ngược hoặc tẩm chắn bảo vệ lưỡi cửa, và khi máy không được giám sát.** Các biện pháp phòng ngừa sẽ tránh tai nạn.
- ▶ **Không để cửa bàn chạy mà không giám sát.** Tắt và không rời khỏi dụng cụ cho đến khi nó dừng hoàn toàn. Cửa chạy không giám sát là một mối nguy hiểm không được kiểm soát.
- ▶ **Đặt máy cửa bàn trong một khu vực đủ ánh sáng và bằng phẳng nơi bạn có thể duy trì được chỗ đứng tốt và sự cân bằng tốt. Nên lắp đặt máy cửa bàn trong một khu vực có đủ không gian để dễ dàng xử lý các phôi gia công có kích thước khác nhau.** Các khu vực chật hẹp, tối tăm và sàn trơn không phẳng sẽ gây ra tai nạn.
- ▶ **Thường xuyên lau chùi và loại bỏ mùn cửa ra khỏi bàn cửa và/hoặc thiết bị hút bụi.** Mùn cửa tích tụ dễ bắt lửa và có thể tự bốc cháy.
- ▶ **Bàn cửa phải được cố định chặt.** Bàn cửa không được cố định chặt đúng cách có thể di chuyển hoặc lật.
- ▶ **Gỡ bỏ các dụng cụ, vụn gỗ, v.v. ra khỏi bàn cửa trước khi bật máy cửa bàn.** Sự sao nhãng hoặc kẹt có thể gây nguy hiểm.
- ▶ **Luôn sử dụng các lưỡi cửa đúng kích cỡ và hình dáng (lưỡi kim cương khác với lưỡi tròn) của lỗ tâm.** Các lưỡi cửa không khớp với các phụ kiện cứng ghép nối của máy cửa sẽ làm lệch tâm và có thể làm mất kiểm soát.
- ▶ **Không được sử dụng các phụ kiện gắn lưỡi cửa bị hỏng hoặc không chính xác như mặt bích, vòng đệm lưỡi cửa, bu lông hoặc đai ốc.** Các phụ kiện gắn này được thiết kế đặc biệt cho cửa của bạn, để đảm bảo vận hành an toàn và hiệu suất tối ưu.
- ▶ **Không được đứng trên bàn cửa, không sử dụng nó làm bậc.** Chấn thương nghiêm trọng có thể xảy ra nếu dụng cụ bị nghiêng hoặc nếu vô tình chạm vào dụng cụ cắt.
- ▶ **Đảm bảo lưỡi cửa được lắp để xoay theo hướng thích hợp.** Không sử dụng bánh mài, bàn chải kim loại, hoặc bánh nhám trên cửa bàn. Lắp lưỡi cửa không đúng cách hoặc sử dụng các phụ kiện không được khuyến cáo có thể gây ra thương tích nghiêm trọng.

### Các cảnh báo phụ thêm

- ▶ **Khi lắp ráp lưỡi cửa, hãy mang găng tay bảo hộ vào.** Việc này bao gồm nguy hiểm gây thương tích.

- ▶ **Không được sử dụng lưỡi cưa bằng thép HSS.** Những loại lưỡi cưa như vậy có thể vỡ dễ dàng.
- ▶ **Chỉ sử dụng lưỡi cưa phù hợp với các đặc tính kỹ thuật được ghi rõ trong các hướng dẫn sử dụng và trên dụng cụ điện và đã được thử nghiệm, và được đánh dấu đáp ứng tiêu chuẩn EN 847-1.**
- ▶ **Không được sử dụng dụng cụ điện mà không có chi tiết gài bàn.** Thay chi tiết gài bàn đã hỏng. Chi tiết gài bàn mà không hoàn hảo, lưỡi cưa có thể gây ra thương tích.
- ▶ **Giữ nơi làm việc của bạn sạch sẽ.** Các hỗn hợp vật liệu là đặc biệt nguy hiểm. Bụi kim loại nhẹ có thể cháy hoặc nổ.
- ▶ **Hãy chọn lưỡi cưa phù hợp cho vật liệu, mà bạn muốn gia công.**
- ▶ **Chỉ sử dụng lưỡi cưa do nhà sản xuất máy khuyến nghị, và thích hợp để cưa loại vật liệu được gia công cắt.**
- ▶ **Bạn chỉ được dẫn phôi gia công tới lưỡi cưa đang chạy.** Nếu không, có nguy cơ bị lực dội ngược khi lưỡi cưa bị chèn chặt trong vật gia công.

## Các Biểu Tượng

Các biểu tượng sau đây có khả năng diễn đạt ý nghĩa về cách sử dụng dụng cụ điện cầm tay của bạn. Xin vui lòng ghi nhận các biểu tượng và ý nghĩa của chúng. Sự hiểu đúng các biểu tượng sẽ giúp bạn sử dụng máy một cách tốt và an toàn hơn.

### Biểu tượng và các ý nghĩa của chúng



**Để tay tránh khỏi phạm vi cắt khi máy đang hoạt động.** Có nguy cơ gây thương tích khi chạm vào lưỡi cưa.



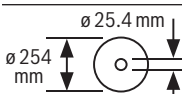
**Hãy mang mặt nạ chống bụi.**



**Hãy mang dụng cụ bảo vệ tai.** Để tai trần tiếp xúc với tiếng ồn có thể làm mất thính giác.



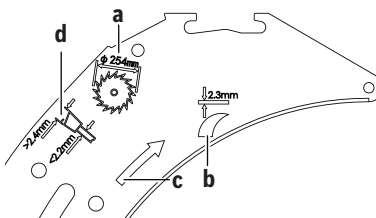
**Hãy mang kính bảo hộ.**



### Biểu tượng và các ý nghĩa của chúng

Hãy tuân thủ kích thước của lưỡi cưa. Đường kính lỗ phải vừa vặn với trục máy của dụng cụ, không bị lỏng lẻo. Nếu cần sử dụng ống nối chuyển tiếp, hãy đảm bảo rằng các kích thước của ống nối chuyển tiếp phải phù hợp với độ dày thép lá và đường kính lỗ của lưỡi cưa cũng như đường kính của trục dụng cụ. Hãy sử dụng ống nối chuyển tiếp giao kèm với lưỡi cưa.

Đường kính lưỡi cưa phải phù hợp với thông số trên biểu tượng.

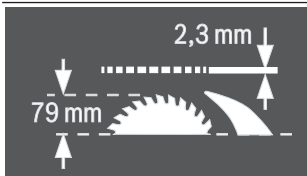


**a** Đường kính của lưỡi cưa tối đa cho phép là 254 mm.

**b** Độ dày của dao tách lớp là 2,3 mm.

**c** Chiều cắt của răng (chiều của mũi tên trên lưỡi cưa) phải cùng chiều với chiều mũi tên trên dao tách lớp.

**d** Khi thay lưỡi cưa hãy đảm bảo rằng chiều rộng cắt không nhỏ hơn 2,4 mm và độ dày lưỡi không lớn hơn 2,2 mm. Nếu không, có nguy cơ dao tách lớp bị nẹp chặt trong phôi gia công.



Độ dày của dao tách lớp là 2,3 mm.

Chiều cao phôi gia công tối đa có thể là 79 mm.

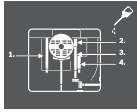


**phía bên trái:**

Hiển thị hướng xoay của tay quay để hạ (**Vị trí vận chuyển**) và nâng (**Vị trí làm việc**) của lưỡi cưa.

**phía bên phải:**

Hiển thị vị trí của cần khóa để cố định lưỡi cưa và khi thiết lập góc xiên dọc (Lưỡi cưa có thể xoay).

**Biểu tượng và các ý nghĩa của chúng**

Nếu cần bôi trơn máy, đưa dụng cụ điện đến địa điểm đã được chỉ định để bảo trì.



Dụng cụ điện thuộc cấp độ bảo vệ II được tăng cường hoặc được cách điện kép.



Với ký hiệu CE, nhà sản xuất xác nhận rằng dụng cụ điện tuân thủ các chỉ thị áp dụng của EU.

## Mô Tả Sản Phẩm và Đặc Tính Kỹ Thuật



**Đọc kỹ mọi cảnh báo an toàn và mọi hướng dẫn.** Không tuân thủ mọi cảnh báo và hướng dẫn được liệt kê dưới đây có thể bị điện giật, gây cháy và / hay bị thương tật nghiêm trọng.

Xin lưu ý các hình minh họa trong phần trước của hướng dẫn vận hành.

### Sử dụng đúng cách

Dụng cụ điện được thiết kế để làm máy đặt cố định dùng để cắt loại gỗ cứng, gỗ mềm và cho ván ghép, ván xơ ép theo chiều dài, chiều ngang. Do đó có thể có góc vuông nằm ngang từ  $-60^\circ$  tới  $+60^\circ$  cũng như góc vuông thẳng đứng từ  $-2^\circ$  tới  $47^\circ$ .

Khi sử dụng lưỡi cưa thích hợp, việc cưa nhôm định hình và nhựa cũng có thể được.

### Các bộ phận được minh họa

Sự đánh số các biểu trưng của sản phẩm là để tham khảo hình minh họa của máy trên trang hình ảnh.

- (1) Rãnh dẫn hướng thanh cữ
- (2) Thước đo khoảng cách lưỡi cưa đến thanh cữ
- (3) Cờ chặn góc
- (4) Chỗ lõm để nắm
- (5) Rãnh dẫn hướng cữ chỉnh đặt góc
- (6) Nắp bảo vệ
- (7) Bàn cưa
- (8) Dao tách lớp
- (9) Van một chiều<sup>a)</sup>
- (10) Đường Cạnh Cận
- (11) Rãnh dẫn hướng V trên bàn cưa của thanh cữ
- (12) Lỗ lắp bắt
- (13) Tay Xách
- (14) Phần mở rộng bàn cưa
- (15) Phần lắp bắt giá cưa GTA 600
- (16) Quai kẹp cho phần mở rộng bàn cưa
- (17) Cần khóa điều chỉnh góc xiên
- (18) Tay quay
- (19) Cần quay để hạ và nâng lưỡi cưa
- (20) Nắp an toàn cho công tắc bật/tắt
- (21) Chia vận lục giác (2 mm)
- (22) Chia vận lục giác (5 mm)
- (23) Chì vận vòng (23 mm)
- (24) Cần đẩy
- (25) Vít điều chỉnh cho lực kẹp của thanh cữ
- (26) Chi tiết gài bàn
- (27) Lưỡi cưa
- (28) Thấu kính
- (29) Thanh biên dạng
- (30) Phần cuốn cáp
- (31) Bộ phận gá giữ để bảo quản thanh cữ bổ sung
- (32) Phun vỏ bào
- (33) Cút nối ống hút
- (34) Giá đỡ bảo quản nắp bảo vệ
- (35) Cần kẹp cửa dao tách lớp
- (36) Vít lục giác chìm của dao tách lớp<sup>a)</sup>
- (37) Chốt định vị của dao tách lớp
- (38) Các khe hở của chi tiết gài bàn
- (39) Cần kẹp của nắp bảo vệ
- (40) Bu lông dẫn hướng của nắp bảo vệ
- (41) Quai kẹp cố định dưỡng cạnh cạnh
- (42) Đường dẫn chữ V của dưỡng cạnh cạnh
- (43) Dưỡng cạnh cạnh phụ
- (44) Bộ vít định vị „Thanh cữ phụ“
- (45) Thanh dẫn hướng cữ chỉnh đặt góc
- (46) Bộ vít định vị „Thanh biên dạng“
- (47) Vít bắt cố định phần tổng mặt cưa
- (48) Núm bấm để kéo lùi bu lông dẫn hướng của van một chiều<sup>a)</sup>
- (49) Đai ốc chặn
- (50) Cần khóa trục
- (51) Bích kẹp
- (52) Trục máy
- (53) Mặt bích tiếp nhận
- (54) Vạch chỉ độ góc (đứng)
- (55) Thước đo góc xiên (đứng)
- (56) Núm khóa dành cho các góc vát khác nhau (ngang)
- (57) Kim chỉ góc trên cữ chỉnh đặt góc
- (58) Kim chỉ khoảng hở bàn cưa
- (59) Nút bật

- (60) Đai ốc vân khía thanh biên dạng  
 (61) Vít bốn cạnh để điều chỉnh cỡ chặn 0°  
 (62) Cỡ chặn cho góc xiên 0° (đứng)  
 (63) Vít bắt vạch chỉ độ góc (đứng)  
 (64) Vít bốn cạnh để điều chỉnh cỡ chặn 45°  
 (65) Cỡ chặn cho góc xiên 45° (đứng)  
 (66) Các vít lục giác chìm (5 mm) phía trước để điều chỉnh sự song song của lưỡi cưa  
 (67) Các vít lục giác chìm (5 mm) phía sau để điều chỉnh sự song song của lưỡi cưa  
 (68) Vít bắt kim chỉ khoảng hở của bàn cưa  
 (69) Các vít lục giác chìm (5 mm) để điều chỉnh sự song song của thanh cữ
- (70) Vít bắt kim chỉ khoảng hở của dưỡng cặp cạnh  
 (71) Các vít điều chỉnh của chi tiết gài bàn  
 (72) Giá đỡ để bảo quản bộ vít định vị „Thanh cỡ phụ“  
 (73) Bộ phận gá giữ để bảo quản bộ thích ứng hút  
 (74) Giá Đỡ để bảo quản van một chiều<sup>a)</sup>  
 (75) Đai ốc siết giữ cố định chia vận vòng và gắn cần đẩy  
 (76) Giá đỡ để bảo quản chia vận lục giác  
 (77) Bộ phận gá giữ để bảo quản cỡ chặn góc

a) Phiên bản ở vùng nước 3 601 M30 5C2

### Thông số kỹ thuật

Cửa Bàn		GTS 10 J	GTS 10 J
Mã số máy		3 601 M30 5..	3 601 M30 5C2
Công suất vào danh định	W	1800	1700
Điện thế danh định	V	220–240	120
Chu kỳ	Hz	50/60	60
Tốc độ không tải	min <sup>-1</sup>	3650	3700
Làm giảm cường độ dòng điện khi khởi động		●	●
Trọng lượng theo EPTA-Procedure 01:2014	kg	26,2	26,2
Cấp độ bảo vệ		□/ II	□/ II
Kích thước (bao gồm dụng cụ phụ trợ có thể tháo)			
Chiều rộng x chiều sâu x chiều cao	mm	640 x 706 x 330	640 x 706 x 330
<b>Kích thước lưỡi cưa phụ hợp</b>			
Đường kính lưỡi cưa	mm	254	254
Độ dày lưỡi	mm	< 2,2	< 2,2
Độ dày răng cưa/phân bố, tối thiểu	mm	> 2,4	> 2,4
Lỗ lắp lưỡi cắt	mm	25,4	25,4

Kích thước phối gia công tối đa: (xem „Kích thước phối gia công tối đa“, Trang 119)

Các giá trị đã cho có hiệu lực cho điện thế danh định [U] 230 V. Đối với điện thế thấp hơn và các loại máy dành riêng cho một số quốc gia, các giá trị này có thể thay đổi.

## Sự lắp vào

- **Phòng ngừa máy khởi động bất ngờ. Trong khi lắp ráp hay có việc làm gì trên máy, phích cắm điện phải được rút ra khỏi nguồn cấp điện.**

### Các món được giao

Trước khi vận hành lần đầu, hãy kiểm tra dụng cụ điện xem tất cả các bộ phận theo thiết kế có được cung cấp đầy đủ không:

- Cửa bàn với lưỡi cưa được lắp (27) và dao tách lớp (8)
- Cỡ chặn góc (3)
- Thanh biên dạng (29)
- Bộ vít định vị „Thanh biên dạng“ (46) (Tấm dẫn hướng, đai ốc khía, vít, vòng đệm)
- Thanh cỡ
- Thanh cỡ phụ (43)
- Bộ vít định vị „Thanh cỡ phụ“ (44) (3 Vít cố định, 3 vòng đệm, 3 đai ốc tai hồng)
- Nắp bảo vệ (6)
- Van một chiều (9) (Phiên bản tại Đài Loan 3 601 M30 5C2)
- Chia vận lục giác (22)
- Chia vận lục giác (21)



- Chia vận vòng (23)
- Cần đẩy (24)
- Chi tiết gài bàn (26)
- Bộ thích ứng hút (33)

**Lưu ý:** Hãy kiểm tra dụng cụ điện xem có hư hỏng nào không.

Trước khi tiến hành sử dụng máy, kiểm tra cẩn thận xem tất cả các chi tiết dùng bảo vệ hay các bộ phận bị hư hỏng nhẹ có hoạt động tốt và theo đúng quy định không. Tất cả các hư hỏng nhẹ phải được kiểm tra cẩn thận để bảo đảm sự hoạt động của dụng cụ được hoàn hảo. Tất cả các bộ phận phải được lắp ráp đúng cách và tất cả các điều kiện cần có phải được đáp ứng đúng và đủ để bảo đảm sự hoạt động được hoàn hảo.

Các chi tiết bảo vệ và các bộ phận hư hỏng phải được thay ngay thông qua một trung tâm bảo hành-bảo trì được ủy nhiệm.

### Lắp Ráp Các Thành Phần Chi Tiết

- Lấy tất cả các bộ phận được giao kèm theo máy ra khỏi bao bì một cách cẩn thận.
- Lấy tất cả các gói tài liệu hướng dẫn và các phụ kiện giao kèm ra khỏi máy.
- Bảo đảm rằng tập tài liệu nằm bên dưới khối động cơ (mô-tơ) đã được lấy ra.

Gắn những dụng cụ phụ trợ sau đây lên vỏ: Cần đẩy (24), chia vận vòng (23), chia vận lục giác (22) và (21), thanh cữ (10), cữ chặn góc (3), bộ thích ứng hút (33), thanh cữ phụ (43) với bộ vít định vị (44), nắp bảo vệ (6).

- Ngay khi bạn cần một dụng cụ phụ trợ, hãy tháo cẩn thận ra khỏi vị trí cài giữ.

### Định vị dao tách lớp (xem hình a1–a2)

**Hướng dẫn:** Nếu thấy cần, làm sạch tất cả các bộ phận sắp lắp vào trước khi định vị.

- Hãy xoay tay quay (19) theo chiều kim đồng hồ cho đến cữ chặn, để lưỡi cửa (27) nằm trong vị trí cao nhất có thể trên bàn cửa.

- Nới lỏng cần kẹp (35).

hoặc

Phiên bản ở từng nước 3 601 M30 5C2 : Nhả:

Hãy nhả vít lục giác chìm (36) bằng chia vận lục giác (22).

- Hãy đẩy dao tách lớp (8) theo chiều cần kẹp (35), đến khi nó được kéo lên trên.
- Hãy kéo dao tách lớp lên trên, để nó được đặt chính xác qua phần giữa của lưỡi cửa.
- Hãy cho khớp cả hai chân cắm (37) vào các lỗ khoan dưới ở dao tách lớp và siết chặt cần kẹp (35) hoặc vít lục giác chìm (36).

### Lắp chi tiết gài bàn (xem Hình b)

- Hãy móc chi tiết gài bàn (26) vào các khe hở sau (38) của trục dụng cụ.
- Đẩy chi tiết gài bàn xuống dưới.

- Hãy ấn lên chi tiết gài bàn, cho đến khi nó khớp vào trục dụng cụ phía trước.

Mặt trước của chi tiết gài bàn (26) phải nằm ngang bằng hoặc ở bên dưới bàn cửa một chút, mặt dưới phải nằm ngang bằng hoặc ở bên trên bàn cửa một chút.

### Lắp nắp bảo vệ (xem Hình c1–c2)

**Hướng dẫn:** Chỉ lắp nắp bảo vệ, nếu dao tách lớp được đặt ở vị trí trên cùng qua phần giữa của lưỡi cửa (xem Hình minh họa a2). Không lắp nắp bảo vệ, nếu dao tách lớp ở vị trí dưới cùng (Tình trạng giao hàng hoặc vị trí cửa rãnh) (xem Hình minh họa a1).

- Nới lỏng cần kẹp (39) và lấy nắp bảo vệ ra (6) khỏi giá đỡ (34).
- Giữ chặt bộ phận bảo vệ lưỡi cửa của nắp bảo vệ bằng một tay (ray kim loại trên) (6) và giữ cần kẹp (39) hướng lên trên bằng tay kia.
- Hãy đẩy bu lông dẫn hướng (40) ra sau vào rãnh của dao tách lớp (8).
- Hãy dẫn nắp bảo vệ (6) xuống dưới, đến khi bộ phận bảo vệ lưỡi cửa (ray kim loại trên) song song với bề mặt của bàn cửa (7).
- Ấn cần khóa giữ cố định (39) xuống. Cần kẹp phải khớp có thể cảm nhận có hoặc nghe rõ và nắp bảo vệ (6) phải được lắp chặt và an toàn.

► Vui lòng kiểm tra xem nắp bảo vệ có chuyển động trơn tru không trước khi sử dụng. Không sử dụng dụng cụ điện, nếu nắp bảo vệ chuyển động không tự do và không đóng ngay lập tức.

### Lắp thanh cữ (xem Hình d)

Thanh cữ (10) có thể được lắp ở bên trái hoặc bên phải từ lưỡi cửa.

- Nới lỏng quai kẹp (41) của thanh cữ (10). Vì vậy, thanh dẫn hướng V (42) được khớp vào.
- Trước hết hãy lắp thanh cữ có thanh dẫn hướng V vào rãnh dẫn hướng (11) của bàn cửa. Sau đó hãy định vị thanh cữ trong rãnh dẫn hướng trước (1) của bàn cửa. Đường cạnh cạnh giờ đây có thể chuyển dịch về bất kỳ vị trí nào.
- Để siết chặt thanh cữ hãy ấn tay kẹp (41) xuống dưới.

### Lắp thanh cữ phụ (xem Hình e)

**Để cửa chi tiết gia công hẹp và cửa góc chéo thẳng đứng** bạn phải lắp thanh cữ bổ sung (43) vào thanh cữ (10).

Thanh cữ phụ có thể được lắp bên trái hoặc bên phải ở thanh cữ (10) tùy theo nhu cầu.

Sử dụng bộ vít định vị „Thanh cữ phụ“ (44) để lắp (2 Vít cố định, 2 vòng đệm, 2 đai ốc tai hồng).

- Hãy đẩy vít cố định qua lỗ khoan bên ở thanh cữ (10).

- Đầu các bu-lông được sử dụng như một vật dẫn hướng cho đường cặp cạnh phụ.
- Hãy đẩy thanh cũ phụ (43) qua các đầu của vít cố định.
- Đặt vòng đệm lên vít định vị và siết chặt vít bằng đai ốc tai hồng.

#### Lắp cũ chặn góc (xem Hình f1–f2)

- Hãy dẫn ray (45) của cũ chặn góc (3) vào một trong các rãnh dẫn hướng cho sẵn (5) của bàn cửa.

Để tạo các phôi gia công dài tốt hơn, cũ chặn góc có thể được mở rộng bằng thanh biên dạng (29).

- Lắp thanh biên dạng nhờ bộ vít định vị (46) vào cũ chặn góc nếu cần.

#### Hút Dăm/Bụi

Mạt bụi từ các vật liệu được sơn phủ ngoài có chứa chì trên một số loại gỗ, khoáng vật và kim loại có thể gây nguy hại đến sức khỏe con người. Dụng cụ chạm hay hít thở các bụi này có thể làm người sử dụng hay đứng gần bị dị ứng và/hoặc gây nhiễm trùng hệ hô hấp.

Một số hạt bụi cụ thể, ví dụ như bụi gỗ sồi hay đậu, được xem là chất gây ung thư, đặc biệt là có liên quan đến các chất phụ gia dùng xử lý gỗ (chất cromat, chất bảo quản gỗ). Có thể chỉ nên để thợ chuyên môn gia công các loại vật liệu có chứa amiăng.

- Cách xa ở mức có thể được, sử dụng hệ thống hút thích hợp cho loại vật liệu.
- Tạo không khí thông thoáng nơi làm việc.
- Khuyến nghị nên mang mặt nạ phòng độc có bộ lọc cấp P2.

Tuân thủ các qui định của quốc gia bạn liên quan đến loại vật liệu gia công.

Sự hút bụi/dăm có thể bị bụi, dăm hay các mảnh nhỏ của vật gia công làm cho tắc nghẽn lại.

- Tắt máy và kéo phích cắm điện nguồn ra khỏi ổ cắm.
- Hãy chờ cho đến khi lưới cửa dừng hẳn.
- Xác định nguyên nhân làm tắc nghẽn và chỉnh sửa lại.
- ▶ **Tránh không để rác tích tụ tại nơi làm việc.** Rác có thể dễ dàng bắt lửa.
- ▶ **Để tránh nguy cơ cháy khi cửa nhôm, hãy trút sạch phần tổng mặt cửa và không sử dụng hút vỏ bào.**

#### Trút sạch phần tổng mặt cửa (xem hình g)

Để loại bỏ các mảnh gỗ của phôi gia công và các vỏ bào lớn, bạn có thể trút sạch phần tổng mặt cửa (32).

- Tắt máy và kéo phích cắm điện nguồn ra khỏi ổ cắm.
- Hãy chờ cho đến khi lưới cửa dừng hẳn.

- Nới lỏng vít cố định (47) bằng chìa vặn lục giác (22).
- Hãy kéo phần tổng mặt cửa (32) ra và loại bỏ mảnh gỗ phôi gia công và vỏ bào.
- Lắp bộ phận tổng mặt cửa vào lại dụng cụ điện.

#### Hút bụi bên ngoài (xem Hình h)

Hãy sử dụng bộ thích ứng hút giao kèm (33), để kết nối máy hút bụi với phần tổng mặt cửa (32).

- Hãy gắn chặt bộ thích ứng hút (33) và ống máy hút bụi.

Máy hút bụi phải thích hợp dành cho loại vật liệu đang gia công.

Khi hút bụi khô loại đặc biệt gây nguy hại đến sức khỏe hoặc gây ra ung thư, hãy sử dụng máy hút bụi loại chuyên dụng.

#### Lắp bắt cố định hay linh hoạt

- ▶ **Để bảo đảm sự điều khiển được an toàn, máy phải được lắp bắt lên trên một bề mặt phẳng và vững chắc (vd. bàn thợ) trước khi sử dụng.**

#### Lắp ráp trên bề mặt gia công (xem hình i)

- Bắt chắc dụng cụ điện bằng loại vít lắp bắt thích hợp lên trên bề mặt gia công. Các lỗ khoan dùng cho mục đích này (12).

#### Lắp ráp trên giá cửa Bosch (Xem Hình j)

Với các chân có thể điều chỉnh được chiều cao, giá cửa Bosch (ví dụ GTA 600) tạo được sự vững chắc cho dụng cụ điện khi đặt trên bất kỳ bề mặt nào.

- ▶ **Hãy đọc mọi cảnh báo và hướng dẫn đính kèm giá cửa.** Không tuân thủ các cảnh báo an toàn và hướng dẫn có thể dẫn đến việc bị điện giật, cháy và/hoặc gây ra thương tích nghiêm trọng.
- ▶ **Lắp ráp giá cửa đúng cách trước khi gắn dụng cụ điện.** Sự lắp ráp hoàn hảo là quan trọng để ngăn ngừa nguy cơ bị sập.
- Gắn lắp dụng cụ điện lên giá cửa ở tư thế vận chuyển.

#### Thay lưới cửa (xem Hình k1–k4)

- ▶ **Trước khi tiến hành bất cứ việc gì trên máy, kéo phích cắm điện nguồn ra.**
- ▶ **Khi lắp ráp lưới cửa, hãy mang găng tay bảo hộ vào.** Việc này bao gồm nguy hiểm gây thương tích.
- ▶ **Chỉ sử dụng lưới cửa có tốc độ tối đa cho phép cao hơn tốc độ không tải của dụng cụ điện.**
- ▶ **Chỉ sử dụng lưới cửa phù hợp với các đặc tính kỹ thuật được ghi rõ trong các hướng dẫn sử dụng và trên dụng cụ điện và đã được thử nghiệm, và được đánh dấu đáp ứng tiêu chuẩn EN 847-1.**

- ▶ **Chỉ sử dụng lưỡi cưa do nhà sản xuất máy khuyến nghị, và thích hợp để cưa loại vật liệu được gia công cắt.**
- ▶ **Không được sử dụng lưỡi cưa bằng thép HSS.** Những loại lưỡi cưa như vậy có thể vỡ dễ dàng.

### Tháo Lưỡi Cưa

- Hãy xoay tay quay (19) theo chiều kim đồng hồ cho đến cỡ chặn, để lưỡi cưa (27) nằm trong vị trí cao nhất có thể trên bàn cưa.
- Mở cần kẹp (39) và kéo nắp bảo vệ (6) khỏi rãnh trên dao tách lớp (8).
- Bổ sung cho phiên bản ở từng nước  
**3 601 M30 5C2 :**  
Hãy ấn khuy bấm (48) và kéo van một chiều (9) ra khỏi lỗ khoan trong dao tách lớp (8).
- Hãy nâng chi tiết gài bàn bằng tước nơ vít (26) phía trước và tháo ra khỏi trục dụng cụ.
- Vận đai ốc chặn (49) bằng chia vận vòng (23) và đồng thời kéo khóa hãm trục (50), cho đến khi khớp vào.
- Giữ cần khóa trục ở tư thế kéo và tháo đai ốc kẹp ra, vận theo chiều ngược chiều kim đồng hồ.
- Tháo bích kẹp (51).
- Tháo lưỡi cưa (27).

### Lắp Lưỡi Cưa

Nếu thấy cần, làm sạch tất cả các bộ phận sắp lắp vào trước khi ráp.

- Lắp lưỡi cưa mới vào lên trên mặt bích tiếp nhận (53) của trục máy (52).

**Hướng dẫn:** Không sử dụng lưỡi cưa quá nhỏ. Khe hở hướng tâm giữa lưỡi cưa và dao tách lớp chỉ được phép tối đa là 3 – 8 mm.

- ▶ **Khi lắp lưỡi cưa, hãy lưu ý rằng chiều cắt của răng (chiều của mũi tên trên lưỡi cưa) cùng chiều với chiều mũi tên trên dao tách lớp!**
- Đặt lên trên bích kẹp (51) và đai ốc chặn (49).
- Vận đai ốc chặn (49) bằng chia vận vòng (23) và đồng thời kéo khóa hãm trục (50), cho đến khi khớp vào.
- Siết chặt đai ốc kẹp theo chiều kim đồng hồ.
- Đặt chi tiết gài bàn (26) lại.
- Lắp nắp bảo vệ (6) lại.
- Bổ sung cho phiên bản ở từng nước  
**3 601 M30 5C2 :**  
Lắp lại van một chiều (9).

## Vận Hành

- ▶ **Trước khi tiến hành bất cứ việc gì trên máy, kéo phích cắm điện nguồn ra.**

## Vị trí vận chuyển và làm việc của lưỡi cưa

### Vị trí dùng chuyển vận

- Hãy tháo nắp bảo vệ (6), tháo chi tiết gài bàn (26) và định vị dao tách lớp (8) trong vị trí dưới. Đặt chi tiết gài bàn (26) lại.
- Hãy xoay tay quay (19) ngược chiều kim đồng hồ, đến khi răng của lưỡi cưa (27) ở bên dưới bàn cưa (7).
- Đẩy bàn cưa mở rộng (14) hết vào trong. Ấn tay kẹp (16) xuống dưới. Để cố định phần mở rộng của bàn cưa.

### Vị Trí Làm Việc

- Định vị dao tách lớp (8) vào vị trí trên cùng qua phần giữa của lưỡi cưa, đặt chi tiết gài bàn (26) vào và lắp nắp bảo vệ (6).
- Hãy xoay tay quay (19) theo chiều kim đồng hồ, đến khi răng trên của lưỡi cưa (27) ở bên trên phôi gia công khoảng 3 – 6 mm.

## Điều chỉnh ngang và dọc góc vát ngang

Để bảo đảm đường cắt chính xác, sự điều chỉnh cơ bản của máy phải được kiểm tra và điều chỉnh lại như là việc cần thiết sau khi hoạt động cao độ.

### Điều chỉnh góc vát dọc (lưỡi cưa) (xem hình A)

Góc xiên đứng có thể được điều chỉnh trong phạm vi từ  $-2^\circ$  đến  $47^\circ$ .

- Nhả tay gạt siết (17) ngược chiều kim đồng hồ.

**Hướng dẫn:** Khi nhả hoàn toàn cần khóa, lưỡi cưa sẽ nghiêng vào một vị trí tương ứng khoảng  $30^\circ$  bằng trọng lực.

- Hãy kéo và ấn nút điều khiển (18) dọc theo trục trượt, đến khi chỉ báo góc (54) chỉ rõ góc vát dọc mong muốn.
- Giữ nút điều khiển ở nguyên vị trí này và siết chặt cần khóa (17) lại như trước.

**Để điều chỉnh nhanh và chính xác góc tiêu chuẩn dọc  $0^\circ$  và  $45^\circ$ , phải có các cỡ chặn được điều chỉnh ((62), (65)).**

### Điều chỉnh góc vát ngang (cỡ chặn góc) (xem hình B)

Có thể điều chỉnh góc vát ngang trong phạm vi từ  $60^\circ$  (bên trái) đến  $60^\circ$  (bên phải).

- Nới lỏng nút khóa (56) trong trường hợp đã được siết chặt.
- Xoay cỡ chặn góc, cho đến khi chỉ báo góc (57) chỉ rõ góc vát mong muốn.
- Siết chặt nút khóa (56) lại như trước.

## Tăng Kích Thước của Bàn Cưa

Các chi tiết gia công dài và/hay nặng phải được kê đỡ ở phần đầu trống.

### Phần mở rộng bàn cửa (xem hình C)

Phần mở rộng bàn cửa (14) sẽ mở rộng bàn cửa (7) sang bên phải tối đa 625 mm.

- Kéo tay kẹp (16) của phần mở rộng bàn cửa lên hoàn toàn.
- Kéo bàn cửa mở rộng (14) ra ngoài cho đến khi đạt được độ dài mong muốn.
- Ấn tay kẹp (16) xuống dưới. Để cố định phần mở rộng của bàn cửa.

### Điều chỉnh Dưỡng Cặp Cận

Thanh cũ có thể được đặt ở bên trái (thước màu đen) hoặc bên phải (thước màu bạc) từ lưỡi cửa. Đánh dấu trong thấu kính (28) hiển thị khoảng cách được thiết lập của thanh cũ tới lưỡi cửa trên thước đo (2).

Hãy định vị thanh cũ sang phía mong muốn của lưỡi cửa.

#### Điều chỉnh thanh cũ

##### Khi bàn cửa không được kéo ra

- Nới lỏng quai kẹp (41) của thanh cũ. Di chuyển thanh cũ, đến khi đánh dấu trong thấu kính (28) hiển thị khoảng cách mong muốn đến lưỡi cửa. Nhấn bên dưới của thước màu bạc được áp dụng khi bàn cửa không kéo ra (2).
- Để cố định hãy ấn tay kẹp (41) xuống dưới.

#### Điều chỉnh thanh cũ

##### Khi bàn cửa được kéo ra (xem Hình D)

- Đặt dưỡng cặp cận lên bên phải của lưỡi cửa. Di chuyển thanh cũ, đến khi đánh dấu trong thấu kính (28) hiển thị 26 cm trên thước bên dưới. Để cố định hãy ấn tay kẹp (41) xuống dưới.
- Kéo tay kẹp (16) của phần mở rộng bàn cửa lên hoàn toàn.
- Hãy kéo phần mở rộng bàn cửa (14) ra ngoài, đến khi kim chỉ khoảng hở (58) hiển thị khoảng cách mong muốn tới lưỡi cửa trên thước trên.
- Ấn tay kẹp (16) xuống dưới. Để cố định phần mở rộng của bàn cửa.

### Điều chỉnh thanh cũ phụ (xem hình E)

Để cửa chỉ tiết gia công hẹp và cửa góc chéo thẳng đứng bạn phải lắp thanh cũ bổ sung (43) vào thanh cũ.

Thanh cũ phụ có thể được lắp bên trái hoặc bên phải ở thanh cũ tùy theo nhu cầu.

Khi cửa vật liệu, các vật gia công này có thể bị kẹt giữa dưỡng cặp cận và lưỡi cửa, bị lưỡi cửa đang quay ghim vào, và bị đẩy văng ra khỏi máy.

Ví dụ, điều chỉnh dưỡng cặp cận phụ theo cách sao cho đầu dẫn của dưỡng được đặt giữa rãnh trước của lưỡi cửa và đầu cạnh của dao tách lớp.

- Muốn vậy, hãy nới lỏng tất cả đai ốc tai hồng của bộ vít định vị (44) và dịch chuyển thanh cũ phụ, đến khi chỉ còn hai vít trước dùng để cố định.
- Siết chặt các đai ốc tai chuẩn lại.

### Điều chỉnh Dao Tách Lớp

Dao tách lớp (8) ngăn không cho lưỡi cửa (27) bị kẹt vào vết rạch. Nếu không, có nguy cơ bị dội ngược và lưỡi cửa bị ném chật trong vật gia công. Luôn luôn lưu ý rằng dao tách lớp đã được điều chỉnh đúng cách:

- Khe hở hướng tâm giữa lưỡi cửa và dao tách lớp chỉ được phép tối đa là 3 – 8 mm.
- Độ dày của dao tách lớp phải nhỏ hơn bề rộng cắt và lớn hơn bề dày của lưỡi.
- Dao tách lớp phải luôn luôn cùng nằm thẳng hàng với lưỡi cửa.
- Đối với sự cắt rời bình thường, dao tách lớp phải luôn luôn nằm ở vị trí cao nhất có thể được.

#### Điều chỉnh chiều cao của dao tách lớp (xem hình F)

Để cửa rãnh, phải điều chỉnh lại chiều cao của dao tách lớp.

#### ► Chỉ dùng dụng cụ điện để khía rãnh hoặc tạo nếp với thiết bị bảo vệ phù hợp (ví dụ nắp bảo vệ dạng hãm, vành chặn).

- Mở cần kẹp (39) và kéo nắp bảo vệ (6) khỏi rãnh trên dao tách lớp (8). Để bảo vệ chấn bảo vệ lưỡi khỏi bị hư hỏng, hãy gắn vào giá đỡ cho sẵn (34) trên vỏ (xem Hình O1).
- Bổ sung cho phiên bản ở từng nước  
**3 601 M30 5C2** :  
Hãy ấn khuy bấm (48) và kéo van một chiều (9) ra khỏi lỗ khoan trong dao tách lớp (8). Để gắn chặt van một chiều, hãy cố định vào giá đỡ cho sẵn (74) trên vỏ (xem Hình O1).
- Hãy xoay tay quay (19) theo chiều kim đồng hồ cho đến cũ chặn, để lưỡi cửa (27) nằm trong vị trí cao nhất có thể trên bàn cửa.
- Nới lỏng cần kẹp (35).  
*hoặc*  
Phiên bản ở từng nước **3 601 M30 5C2** : Nhà:  
Hãy nhả vít lục giác chìm (36) bằng chia vận lục giác (22).
- Rút dao tách lớp khỏi các chân cắm (37) (Kéo cần kẹp (35) ra ngoài một chút) và đẩy dao tách lớp (8) xuống dưới cho đến cũ chặn.
- Hãy cho khớp cả hai chân cắm (37) vào các lỗ khoan trên ở dao tách lớp và siết chặt cần kẹp lại (35).

### Bắt Đầu Vận Hành

► **Tuân thủ theo đúng điện thế!** Điện thế nguồn phải đúng với điện thế đã ghi rõ trên nhãn máy.

#### Bật (xem hình G1)

- Gấp nắp an toàn (20) lên trên.
- Để bắt đầu vận hành hãy nhấn nút bật xanh lá (59).
- Để nắp an toàn (20) hạ xuống một lần nữa.

**Tắt (xem hình G2)**

- Bạn hãy ấn lên nắp an toàn (20).

**Sự Cố Mất Điện**

Công tắc Tắt/Mở được gọi là công tắc không điện thể, nó ngăn không cho dụng cụ điện khởi động trở lại sau khi điện bị ngắt và có điện trở lại (vd. khi phích cắm điện chính bị kéo ra khỏi ổ điện cung cấp trong lúc hoạt động).

Sau đó để vận hành lại dụng cụ điện, bạn phải ấn lại nút bật xanh lá (59).

**Hướng Dẫn Sử Dụng****Các Hướng Dẫn Cưa Tổng Quát**

- ▶ **Đối với mọi kiểu cắt, đầu tiên phải bảo đảm rằng lưỡi cưa không bao giờ có thể chạm được vào cơ chặn hay các bộ phận khác của máy.**
- ▶ **Chỉ dùng dụng cụ điện để khía rãnh hoặc tạo nếp với thiết bị bảo vệ phù hợp (ví dụ nắp bảo vệ dạng hãm, vành chặn).**
- ▶ **Không sử dụng dụng cụ điện để cắt rãnh (rãnh được hoàn thiện trên phôi gia công).**

Bảo vệ lưỡi cưa tránh bị va đập hay chạm mạnh. Không để lưỡi cưa phải chịu lực áp hông.

Dao tách lớp phải nằm thẳng hàng với lưỡi cưa để tránh bị kẹt chặt trong vật gia công.

Không được cưa vật gia công bị cong hay bị oằn. Vật gia công phải luôn luôn có cạnh thẳng, áp sát vào đường cấp cạnh.

Luôn luôn cất giữ/bảo quản cẩn đậy cùng với dụng cụ điện.

**Tư thế của người thao tác (xem Hình H)**

- ▶ **Không được đứng song song với lưỡi cưa. Luôn đặt cơ thể của bạn ở cùng một phía với lưỡi cưa như cũ chặn.** Lực phản hồi có thể đẩy phôi gia công ở tốc độ cao về phía bất cứ người nào đứng trước và song song với lưỡi cưa.
- Để tay, ngón tay và cánh tay tránh khỏi lưỡi cưa đang quay.

Tuân theo các hướng dẫn sau đây:

- Giữ vật gia công thật chắc chắn bằng cả hai tay và chắc tay áp đẩy vật gia công vào lưỡi cưa.
- Luôn sử dụng thanh đẩy giao kèm (24) và thanh cũ bổ sung (43) cho chi tiết gia công hẹp và để cưa góc chéo thẳng đứng.

**Kích thước phôi gia công tối đa**

Góc xiên nằm đứng	chiều cao tối đa của phôi gia công [mm]
0°	79
45°	56

**Cưa****Cưa Đường Thẳng**

- Hãy điều chỉnh thanh cũ thành chiều rộng cắt mong muốn.
  - Hãy đặt phôi gia công lên bàn cưa trước nắp bảo vệ (6).
  - Hãy nâng hoặc hạ lưỡi cưa bằng tay quay (19), đến khi răng trên của lưỡi cưa (27) ở bên trên phôi gia công khoảng 3–6 mm.
  - Bật công tắc cho máy hoạt động.
  - Cắt xuyên qua vật gia công với lực áp lên máy đồng đều.
- Nếu bạn ấn quá nhiều lần, các đầu lưỡi cưa có thể quá nhiệt và phôi gia công có thể bị hỏng.
- Tắt máy và đợi cho đến khi lưỡi cưa đã ngừng quay hoàn toàn.

**Cưa Góc Xiên**

- Điều chỉnh góc vật cắt mong muốn của lưỡi cưa. Khi lưỡi cưa nghiêng sang trái, thanh cũ phải ở bên phải của lưỡi cưa.
- Hãy tuân theo các bước làm việc tương ứng: (xem „Cưa Đường Thẳng“, Trang 119)

**Cưa góc vát ngang (xem hình I)**

- Điều chỉnh góc vát ngang mong muốn trên cũ chặn góc (3).
- Hãy đặt phôi gia công lên thanh biên dạng (29). Thanh biên dạng có thể không nằm trên đường cắt. Trong trường hợp này hãy nối lỏng đai ốc khóa (60) và dịch chuyển thanh biên dạng.
- Hãy nâng hoặc hạ lưỡi cưa bằng tay quay (19), đến khi răng trên của lưỡi cưa (27) ở bên trên phôi gia công khoảng 3 – 6 mm.
- Bật công tắc cho máy hoạt động.
- Hãy ấn phôi gia công bằng một tay vào thanh biên dạng (29) và đẩy chậm cũ chặn góc ra trước vào rãnh dẫn hướng bằng tay kia trên núm khóa (56) (5).
- Tắt máy và đợi cho đến khi lưỡi cưa đã ngừng quay hoàn toàn.

**Kiểm tra và điều chỉnh các thiết lập cơ bản**

Để bảo đảm đường cắt chính xác, sự điều chỉnh cơ bản của máy phải được kiểm tra và điều chỉnh lại như là việc cần thiết sau khi hoạt động cao độ.

Việc này đòi hỏi phải có một mức độ kinh nghiệm nhất định và các dụng cụ chuyên môn thích hợp.

Trạm phục vụ hàng sau khi bán của Bosch sẽ xử lý việc bảo trì này một cách nhanh chóng và đáng tin cậy.

**Điều chỉnh các cũ chặn của góc vát dọc tiêu chuẩn 0°/45°**

- Đặt máy ở vào tư thế hoạt động.
- Chỉnh một góc vát đứng 0° của lưỡi cưa.



- Tháo nắp bảo vệ (6) ra.

#### Kiểm tra (xem Hình J1)

- Chính thước đo góc đến  $90^\circ$  và đặt nó lên bàn cửa (7).

Chân thước đo góc phải nằm ngang bằng với lưỡi cửa (27) dọc theo toàn bộ chiều dài.

#### Điều chỉnh (xem Hình J2)

- Hãy nhả vít (61). Do đó, cỡ chặn  $0^\circ$  (62) có thể bị dịch chuyển.
- Nới lỏng cần khóa (17).
- Hãy đẩy núm điều khiển (18) vào cỡ chặn  $0^\circ$ , cho đến khi chân của thước đo góc ngang bằng với lưỡi cửa dọc theo toàn bộ chiều dài.
- Giữ núm điều khiển ở nguyên vị trí này và siết chặt cần khóa (17) lại như trước.
- Siết chặt vít (61) lại.

Nếu chỉ báo góc (54) không nằm thẳng với vạch  $0^\circ$  trên thước (55) sau khi điều chỉnh, hãy nới lỏng vít (63) bằng tuốc nơ vít đầu Phillips thông dụng và căn chỉnh chỉ báo góc dọc theo vạch  $0^\circ$ .

Hãy lặp lại các bước làm việc trên cho góc vát đứng  $45^\circ$  (Nới lỏng vít (64); Dịch chuyển cỡ chặn  $45^\circ$  (65)). Chỉ báo góc (54) không được phép chỉnh lại.

#### Độ song song của lưỡi cửa với rãnh dẫn hướng của cỡ chặn góc (xem Hình K)

- Đặt máy ở vào tư thế hoạt động.
- Tháo nắp bảo vệ (6) ra.

#### Kiểm tra

- Hãy đánh dấu rãnh cửa bên trái đầu tiên, mà có thể thấy rõ phía sau trên chi tiết gài bàn, bằng bút chì.
- Chính thước góc đến  $90^\circ$  rồi đặt lên cạnh của rãnh dẫn hướng (5).
- Hãy dịch chuyển chân thước đo góc, đến khi nó chạm vào rãnh cửa đã đánh dấu, và hãy đọc khoảng cách giữa lưỡi cửa và rãnh dẫn hướng.
- Xoay lưỡi cửa, đến khi rãnh đã đánh dấu phía trước ở trên chi tiết gài bàn.
- Di chuyển thước chia độ dọc theo rãnh dẫn hướng đến rãnh cửa được đánh dấu.
- Đo khoảng hở giữa lưỡi cửa và rãnh dẫn hướng lại lần nữa.

Cả hai khoảng hở đo được phải giống như nhau.

#### Điều chỉnh

- Hãy nới lỏng vít lục giác chìm (66) phía trước bên dưới bàn cửa và vít lục giác chìm (67) phía sau bên dưới bàn cửa bằng chia vận lực góc kèm (22).
- Hãy di chuyển cẩn thận lưỡi cửa, cho đến khi nó song song với rãnh dẫn hướng (5).
- Siết chặt vít tất cả vít (66) và (67) lại lần nữa.

#### Điều chỉnh kim chỉ khoảng hở của bàn cửa (xem hình L)

- Đặt dướng cặp cạnh lên bên phải của lưỡi cửa. Di chuyển thanh cỡ, đến khi đánh dấu trong thấu kính (28) hiển thị 26 cm trên thước bên dưới. Để cố định hãy ấn tay kẹp (41) xuống dưới.
- Kéo tay kẹp (16) lên trên hoàn toàn và kéo phần mở rộng bàn cửa (14) ra ngoài cho đến cỡ chặn.

#### Kiểm tra

Kim chỉ khoảng hở (58) phải hiển thị giá trị giống nhau ở thước trên (2) như đánh dấu trong thấu kính (28) trên thước bên dưới. (2).

#### Điều chỉnh

- Kéo phần mở rộng bàn cửa (14) ra ngoài đến cỡ chặn.
- Nới lỏng ốc vít (68) bằng tuốc nơ vít đầu Phillips và căn chỉnh kim chỉ khoảng hở (58) dọc theo dấu 26 cm của thước trên (2).

#### Điều chỉnh độ song song của thanh cỡ (xem hình M)

- Đặt máy ở vào tư thế hoạt động.
- Tháo nắp bảo vệ (6) ra.
- Nới lỏng quai kẹp (41) của thanh cỡ và dịch chuyển nó, đến khi chạm vào lưỡi cửa.

#### Kiểm tra

Thanh cỡ phải chạm vào lưỡi cửa trên toàn bộ chiều dài.

#### Điều chỉnh

- Bạn hãy nới lỏng vít lục giác chìm (69) bằng chia vận lực góc kèm theo dụng cụ (22).
- Hãy di chuyển cẩn thận thanh cỡ, đến khi nó chạm lưỡi cửa trên toàn bộ chiều dài.
- Giữ thanh cỡ ở nguyên vị trí này và ấn quai kẹp (41) xuống dưới một lần nữa.
- Siết chặt lại vít lục giác chìm (69).

#### Điều chỉnh Lực Căng của Dướng Cặp cạnh

Lực kẹp của thanh cỡ có thể giảm sau khi sử dụng thường xuyên.

- Hãy siết vít điều chỉnh (25) đến khi thanh cỡ có thể được cố định chặt trên bàn cửa.

#### Điều chỉnh thấu kính của thanh cỡ (xem hình M)

- Đặt máy ở vào tư thế hoạt động.
- Tháo nắp bảo vệ (6) ra.
- Hãy dịch chuyển thanh cỡ từ bên phải, đến khi chạm vào lưỡi cửa.

#### Kiểm tra

Đánh dấu thấu kính (28) phải ở trong một vạch có dấu 0 mm của thước đo (2).

#### Điều chỉnh

- Nới lỏng ốc vít (70) bằng tuốc nơ vít đầu Phillips và căn chỉnh đánh dấu dọc theo dấu 0 mm.



### Điều chỉnh chiều cao chi tiết gài bàn (xem hình N)

#### Kiểm tra

Mặt trước của chi tiết gài bàn (26) phải nằm ngang bằng hoặc ở bên dưới bàn của một chút, mặt dưới phải nằm ngang bằng hoặc ở bên trên bàn của một chút.

#### Điều chỉnh

- Tháo chi tiết gài bàn (26).
- Bằng chia vận lục giác (22) hãy điều chỉnh chiều cao chính xác của bốn vít điều chỉnh (71).

### Cất Giữ và Vận Chuyển

#### Bảo quan dụng cụ phụ trợ (xem Hình O1–O5)

Với mục đích lưu giữ, một số dụng cụ phụ trợ cụ thể có thể cài chặt chắn vào dụng cụ điện.

- Hãy nối lỏng thanh cỡ phụ (43) khỏi thanh cỡ.
- Hãy gắn tất cả bộ phận thiết bị lỏng lẻo vào vị trí cất giữ trên vỏ (xem Bảng sau đây).

Hình ảnh	Dụng Cụ Phụ Trợ	Vị Trí Cất Giữ
O1	Nắp bảo vệ (6)	hãy treo vào trong rãnh của giá đỡ (34) và siết chặt bằng cần kẹp (39)
O1	Van một chiều (9) (Phiên bản tại Đài Loan 3 601 M30 5C2)	Ấn nút bấm (48) và cho khớp trong lỗ khoan của giá đỡ (74)
O2	Bộ vít định vị „Thanh cỡ phụ“ (44)	gắn ghim vào các giá đỡ (72)
O2	Bộ thích ứng hút (33)	đẩy vào bộ phận gá giữ (73)
O3	Chìa vận vòng (23)	cố định chặt bằng đai ốc khóa (75) trong vị trí cất giữ dụng cụ
O3	Cần dây (24)	hãy gắn trên đai ốc khóa (75) và cố định chặt bằng cách dịch chuyển
O4	Thanh cỡ	xoay tròn, gắn vào ray dẫn hướng từ dưới và cố định chặt quai kẹp (41)
O5	Chìa vận lục giác (22) Chìa vận lục giác (21)	đẩy vào các giá đỡ (76)
O5	Cờ chặn góc (3)	đẩy vào bộ phận gá giữ (77)
O5	Thanh cỡ phụ (43)	đẩy vào bộ phận gá giữ (31) (phía ngăn hướng lên trên; phía dài hướng ra sau)

### Xách Dụng Cụ Điện

Trước khi vận chuyển dụng cụ điện, phải tiến hành các bước như sau:

- Đưa máy vào vị trí vận chuyển.
  - Nếu có thể, đặt những lưỡi cưa không được sử dụng tới vào trong một bao bì đóng gói để chuyển vận.  
Nếu có thể, đặt những lưỡi cưa không được sử dụng tới vào trong một bao bì đóng gói để chuyển vận.
  - Đẩy bàn cưa mở rộng hết vào trong (14) và ấn quai kẹp (16) xuống dưới để cố định lại.
  - Xoắn dây điện vào phần cuộn cáp (30).
  - Sử dụng các tay nắm để nâng hoặc vận chuyển (13).
- **Khi vận chuyển dụng cụ điện, chỉ sử dụng các thiết bị dùng vận chuyển và không bao giờ sử dụng thiết bị bảo vệ để mang hay xách.**

### Bảo Dưỡng và Bảo Quản

#### Bảo Dưỡng Và Làm Sạch

- **Trước khi tiến hành bất cứ việc gì trên máy, kéo phích cắm điện nguồn ra.**
- **Để được an toàn và máy hoạt động đúng chức năng, luôn luôn giữ máy và các khe thông gió được sạch.**

Nếu như cần phải thay dây dẫn điện thì công việc này phải do hãng **Bosch**, hay một đại lý được **Bosch** ủy nhiệm thực hiện để tránh gặp sự nguy hiểm do mất an toàn.

#### Làm Sạch

Làm sạch bụi và dăm sau mỗi lần sử dụng máy bằng cách dùng hơi nén để thổi hay bằng cọ.

#### Bôi trơn dụng cụ điện

##### Chất bôi trơn:

Dầu động cơ SAE 10/SAE 20

- Nếu cần bôi trơn máy, đưa dụng cụ điện đến địa điểm đã được chỉ định để bảo trì (xem Hình P).



Một bộ phận dịch vụ khách hàng Bosch được ủy quyền có thể thực hiện công việc này một cách đáng tin và nhanh chóng.

- **Loại bỏ chất bôi trơn và chất tẩy rửa theo quy định bảo vệ môi trường. Hãy tuân thủ các quy định của pháp luật.**

#### Biện Pháp để làm Giảm TiếngỒn

Các biện pháp về phần nhà sản xuất:

- Khởi động Êm
  - Sự chuyển giao máy với lưỡi cưa được cải tiến một cách đặc biệt để làm giảm tiếng ồn
- Các biện pháp về phần người sử dụng:
- Lắp ráp có sự dao động ít trên bề mặt làm việc cứng chắc

- Sử dụng lưới cửa có chức năng làm giảm tiếng ồn
- Thường xuyên làm sạch lưới cửa và dụng cụ điện

### Phụ kiện

	Mã số máy
Túi chứa bụi	2 610 015 511
Cút nối ống hút	2 610 015 509
Bộ nối chữ Y TSVH 3	2 610 015 513
Cờ chặn góc	2 610 015 507
Cần đẩy	2 610 015 022
Giá cửa GTA 600	0 601 B22 001
<b>Lưới cửa gỗ và vật liệu dạng tấm, ván ô và nẹp</b>	
Lưới cửa 254 x 25,4 mm, 40 răng	2 608 640 901
Lưới cửa 254 x 25,4 mm, 60 răng	2 608 640 902

### Dịch vụ hỗ trợ khách hàng và tư vấn sử dụng

Bộ phận phục vụ hàng sau khi bán của chúng tôi trả lời các câu hỏi liên quan đến việc bảo dưỡng và sửa chữa các sản phẩm cũng như phụ tùng thay thế của bạn. Sơ đồ mô tả và thông tin về phụ tùng thay thế cũng có thể tra cứu theo dưới đây:

**[www.bosch-pt.com](http://www.bosch-pt.com)**

Đội ngũ tư vấn sử dụng của Bosch sẽ giúp bạn giải đáp các thắc mắc về sản phẩm và phụ kiện.

Trong tất cả các phản hồi và đơn đặt phụ tùng, xin vui lòng luôn luôn nhập số hàng hóa 10 chữ số theo nhãn của hàng hóa.

### Việt Nam

CN CÔNG TY TNHH BOSCH VIỆT NAM TẠI TP.HCM

Tầng 14, Ngôi Nhà Đức, 33 Lê Duẩn  
Phường Bến Nghé, Quận 1, Thành Phố Hồ Chí Minh

Tel.: (028) 6258 3690

Fax: (028) 6258 3692 - 6258 3694

Hotline: (028) 6250 8555

Email: [tuvankhachhang-pt@vn.bosch.com](mailto:tuvankhachhang-pt@vn.bosch.com)

[www.bosch-pt.com.vn](http://www.bosch-pt.com.vn)

[www.baohanhbosch-pt.com.vn](http://www.baohanhbosch-pt.com.vn)

### Xem thêm địa chỉ dịch vụ tại:

[www.bosch-pt.com/serviceaddresses](http://www.bosch-pt.com/serviceaddresses)

### Sự thải bỏ

Máy, linh kiện và bao bì phải được phân loại để tái chế theo hướng thân thiện với môi trường.



Không được thải bỏ dụng cụ điện vào chung với rác sinh hoạt!

مخصص للاستعمال الخارجي من خطر الصدمات الكهربائية.

◀ **إن لم يكن بالإمكان تجنب تشغيل العدة الكهربائية في الأجواء الرطبة، فاستخدم مفتاح للوقاية من التيار المتخلف.** إن استخدام مفتاح للوقاية من التيار المتخلف يقلل خطر الصدمات الكهربائية.

### أمان الأشخاص

◀ **كن يقظا وانتبه إلى ما تفعله واستخدم العدة الكهربائية بتعقل.** لا تستخدم عدة كهربائية عندما تكون متعبا أو عندما تكون تحت تأثير المخدرات أو الكحول أو الأدوية. عدم الانتباه للحظة واحدة عند استخدام العدة الكهربائية قد يؤدي إلى إصابات خطيرة.

◀ **قم لارتداء تجهيزات الحماية الشخصية. وارتد دائما نظارات واقية.** يعد ارتداء تجهيزات الحماية الشخصية، كقناع الوقاية من الغبار وأحذية الأمان الواقية من الانزلاق والحدوث أو واقية الأذنين، حسب ظروف استعمال العدة الكهربائية، من خطر الإصابة بجروح.

◀ **تجنب التشغيل بشكل غير مقصود.** تأكد من كون العدة الكهربائية مطفأة قبل توصيلها بالتيار الكهربائي و/أو بالمركم، وقبل رفعها أو حملها. إن كنت تضع إصبعك على المفتاح أثناء حمل العدة الكهربائية أو إن وصلت الجهاز بالشبكة الكهربائية بينما لامفتاح على وضع التشغيل، قد يؤدي إلى وقوع الحوادث.

◀ **انزع أداة الضبط أو مفتاح الربط قبل تشغيل العدة الكهربائية.** قد تؤدي الأداة أو المفتاح المتواجد في جزء دوار من الجهاز إلى الإصابة بجروح.

◀ **تجنب أوضاع الجسم غير الطبيعية.** قف بأمان وحافظ على توازنك دائما. سيسمح لك ذلك بالتمكّن في الجهاز بشكل أفضل في المواقف الغير متوقعة.

◀ **قم بارتداء ثياب مناسبة.** لا ترتد الثياب الفضفاضة أو الحلى. احرص على إبقاء الشعر والملابس بعيدا عن الأجزاء المتحركة. قد تشابك الثياب الفضفاضة والحلى والشعر الطويل بالأجزاء المتحركة.

◀ **إن جاز تركيب تجهيزات شفت وتجميع الغبار، فتأكد من أنها موصولة وبأنه يتم استخدامها بشكل سليم.** قد يقلل استخدام تجهيزات لشفط الغبار من المخاطر الناتجة عن الغبار.

◀ **لا تستخدم العدة الكهربائية بلا مبالاة وتجاهل قواعد الأمان الخاصة بها نتيجة لتعودك على استخدام العدة الكهربائية وكثرة استخدامها.** فقد يتسبب الاستخدام دون حرص في حدوث إصابة بالغة تحدث في أجزاء من الثانية.

حسن معاملة واستخدام العدد الكهربائية

◀ **لا تفرط بتحميل الجهاز. استخدم لتفنيذ أشغالك العدة الكهربائية المخصصة لذلك.** إنك تعمل بشكل أفضل وأكثر أماناً بواسطة العدة الكهربائية الملائمة في مجال الأداء المذكور.

◀ **لا تستخدم العدة الكهربائية إن كان مفتاح تشغيلها تالف.** العدة الكهربائية التي لم يعد من

## عربي

### إرشادات الأمان

#### الإرشادات العامة للأمان بالعدد الكهربائية

##### تحذير

اطلع على كافة تحذيرات الأمان والتعليمات والصور والمواصفات المرفقة بالعدة الكهربائية. عدم اتباع التعليمات الواردة أدناه قد يؤدي إلى حدوث صدمة كهربائية، إلى نشوب حريق و/أو الإصابة بجروح خطيرة.

احتفظ بجميع الملاحظات التحذيرية والتعليمات للمستقبل.

يقصد بمصطلح «العدة الكهربائية» المستخدم في الملاحظات التحذيرية، العدد الكهربائية الموصولة بالشبكة الكهربائية (بواسطة كابل الشبكة الكهربائية) وأيضا العدد الكهربائية المزودة بمركم (دون كابل الشبكة الكهربائية).

##### الأمان بمكان الشغل

◀ **حافظ على نظافة مكان شغلك وإضاءته بشكل جيد.** الفوضى في مكان الشغل ونطاقات العمل غير المضأة قد تؤدي إلى وقوع الحوادث.

◀ **لا تشغل بالعدة الكهربائية في نطاق معرض لخطر الانفجار مثل الأماكن التي تتوفر فيه السوائل أو الغازات أو الأبخرة القابلة للاشتعال.** العدد الكهربائية تولد شررا قد يتطاير، فيشعل الأبخرة والأبخرة.

◀ **حافظ على بقاء الأطفال وغيرهم من الأشخاص بعيدا عندما تستعمل العدة الكهربائية.** تشتيت الانتباه قد يتسبب في فقدان السيطرة على الجهاز.

##### الأمان الكهربائي

◀ **يجب أن يتلائم قابس العدة الكهربائية مع المقبس.** لا يجوز تغيير القابس بأي حال من الأحوال. لا تستعمل القوايس المهينة مع العدد الكهربائية المؤرّضة (ذات طرف أرضي). تخفّض القوايس التي لم يتم تغييرها والمقابس الملائمة من خطر الصدمات الكهربائية.

◀ **تجنب ملامسة جسمك للأسطح المؤرّضة كالأنابيب والمبردات والمواقد أو التلّاجات.** يزداد خطر الصدمات الكهربائية عندما يكون جسمك مَوْض أو موصل بالأرضي.

◀ **أبعد العدة الكهربائية عن الأمطار أو الرطوبة.** يزداد خطر الصدمات الكهربائية إن تسرب الماء إلى داخل العدة الكهربائية.

◀ **لا تسيّ استعمال الكابل.** لا تستخدم الكابل في حمل العدة الكهربائية أو سحبها أو سحب القابس من المقبس. احرص على إبعاد الكابل عن الحرارة والزيت والحواف الحادة أو الأجزاء المتحركة. تزيد الكابلات التالفة أو المتشابكة من خطر الصدمات الكهربائية.

◀ **عند استخدام العدة الكهربائية خارج المنزل اقتصر على استخدام كابلات التمديد الصالحة للاستعمال الخارجي.** يقلل استعمال كابل تمديد

- الممكن التحكم بها عن طريق مفتاح التشغيل والإطفاء تعتبر خطيرة ويجب أن يتم إصلاحها.
- ◀ **اسحب القابس من المقبس و/أو اخلع المركم، إذا كان قابلاً للخلع، قبل ضبط الجهاز وقبل استبدال الملحقات أو قبل تخزين الجهاز.** تمنع هذه الإجراءات وقائية تشغيل العدة الكهربائية بشكل غير مقصود.
- ◀ **احتفظ بالعدد الكهربائية التي لا يتم استخدامها بعيداً عن متناول الأطفال.** لا تسمح باستخدام العدة الكهربائية لمن لا خبرة له بها أو لمن لم يقرأ تلك التعليمات. العدد الكهربائي خطيرة إن تم استخدامها من قبل أشخاص دون خبرة.
- ◀ **اعتن بالعدة الكهربائية والملحقات بشكل جيد.** تأكد أن أجزاء الجهاز المتحركة مركبة بشكل سليم وغير مستعصية عن الحركة، وتفحص ما إن كانت هناك أجزاء مكسورة أو في حالة تؤثر على سلامة أداء العدة الكهربائية. ينبغي إصلاح هذه الأجزاء التالفة قبل إعادة تشغيل الجهاز. الكثير من الموادث مصدرها العدد الكهربائي التي تتم صيانتها بشكل رديء.
- ◀ **احرص على إبقاء عدد القطع نظيفة وحادة.** إن عدد القطع ذات حواف القطع الحادة التي تم صيانتها بعناية تتكلم بشكل أقل ويمكن توجيهها بشكل أيسر.
- ◀ **استخدم العدد الكهربائي والتوابع وربش الشغل إلخ.** وفقاً لهذه التعليمات. تراعى أثناء ذلك ظروف الشغل والعمل المراد تنفيذه. استخدام العدد الكهربائي لغير الأشغال المخصصة لأجلها قد يؤدي إلى حدوث الحالات الخطيرة.
- ◀ **احرص على إبقاء المقابض وأسطح المسك جافة ونظيفة وخالية من الزيوت والشحوم.** المقابض وأسطح المسك الزلقة لا تتبع التشغيل والتحكم الآمن في العدة في المواقف غير المتوقعة.
- الخدمة**
- ◀ **احرص على إصلاح عدتك الكهربائية فقط بواسطة العمال المتخصصين وباستعمال قطع الغيار الأصلية فقط.** يضمن ذلك المحافظة على أمان الجهاز.
- تعليمات الأمان لمناشير الطاولة**
- التحذيرات المتعلقة بالحماية**
- ◀ **احتفظ بالواقيات في مكانها.** يجب أن تكون الواقيات مرتبة بنظام العمل ومركبة بطريقة صحيحة. يجب إصلاح الواقية إذا كانت سائبة أو بها أضرار أو لا تعمل بشكل صحيح أو يجب تغييرها.
- ◀ **احرص دائماً على استخدام واقية لنصل المنشار وإسفين شق وجهاز مانع للصدمة الارتدادية عند إجراء عمليات قطع خلال الأجزاء.** في عمليات القطع خلال الأجزاء، حيث يقوم نصل المنشار بالقطع خلال سمك قطعة العمل، تعمل الواقية أو أي تجهيزة أمان أخرى على تقليل خطر الإصابة.
- ◀ **يجب إعادة تركيب نظام الحماية فور انتهاء الأعمال (مثل التفريز، التخديد أو النشر إلى**
- قطع صغيرة) التي تتطلب فك الواقية و/أو إسفين الشق و/أو جهاز مانع الصدمة الارتدادية.** تعمل الواقية وإسفين الشق وجهاز مانع الصدمة الارتدادية على تقليل خطر الإصابة.
- ◀ **تأكد أن نصل المنشار لا يلامس الواقية أو إسفين الشق أو قطعة العمل وذلك قبل تشغيل المفتاح.** التلامس غير المقصود لهذه الأجزاء مع نصل المنشار يمكن أن يتسبب في خطورة كبيرة.
- ◀ **قم بضبط إسفين الشق كما هو موضح في دليل التعليمات هذا.** خطأ المحاذاة والوضعية ومسافات الضبط قد يقلل من فعالية إسفين الشق في تقليل إمكانية الصدمة الارتدادية.
- ◀ **لكي يعمل إسفين الشق وجهاز مانع الصدمة الارتدادية يجب أن يدخل في قطعة الشغل.** يصبح إسفين الشق وجهاز مانع الصدمة الارتدادية بلا فعالية عند نشر قطع العمل القصيرة لدرجة لا تسمح بدخول إسفين الشق وجهاز مانع الصدمة الارتدادية فيها. في هذه الظروف لا يمكن لإسفين الشق وجهاز مانع الصدمة الارتدادية منع حدوث صدمة ارتدادية.
- ◀ **استخدم نصل منشار مناسب لإسفين الشق.** لكي يعمل إسفين الشق بشكل سليم يجب أن يوافق قطر نصل المنشار إسفين الشق المناسب، كما يجب أن يكون جسم نصل المنشار أرفع من سمك إسفين الشق، ويجب أن يكون عرض القطع الخاص بنصل المنشار أعرض من سمك إسفين الشق.

#### تحذير خطوات القطع

- ◀ **خطر: لا تضع أصابعك أو يدك بالقرب من نصل المنشار أو على نفس الخط معه.** لحظة واحدة من عدم الانتباه أو عثرة قد توجه اليد إلى نصل المنشار مما يؤدي إلى إصابات خطيرة للأشخاص.
- ◀ **أدخل قطعة العمل إلى نصل المنشار فقط في عكس اتجاه الدوران.** إدخال قطعة العمل في نفس اتجاه دوران نصل المنشار فوق الطاولة قد يتسبب في سحب قطعة العمل ويدك إلى نصل المنشار.
- ◀ **لا تستخدم مقياس القطع المشطوف في إدخال قطعة العمل عند القطع المضلع، ولا تستخدم الحاجز المتوازي كمصد للطول عند القطع العرضي باستخدام مقياس القطع المشطوف.** توجيهه قطعة العمل مع الحاجز المتوازي ومقياس لقطع المشطوف في نفس الوقت يزيد احتمالية انحصار نصل المنشار أو حدوث صدمة ارتدادية.
- ◀ **عند القطع المضلع وجه قوة إدخال قطعة العمل بين الحاجز ونصل المنشار. استخدم عصا ضاغطة عندما تكون المسافة بين الحاجز ونصل المنشار أقل من 150 مم، واستخدم كتلة ضاغطة عندما تكون المسافة أقل من 50 مم.** «التجهيزات المساعدة على العمل» ستجعل يدك على مسافة آمنة من نصل المنشار.
- ◀ **اقتصر على استخدام العصا الضاغطة التي وفرتها الجهة الصانعة أو المصممة بشكل**

- ◀ لا تقف أبداً على نفس خط نصل المنشار. اجعل جسمك دائماً في نفس جانب الحاجز بالنسبة لنصل المنشار. قد تتسبب الصدمة الارتدادية في اندفاع قطعة العمل بسرعة كبيرة في اتجاه أي شخص يقف أمام نصل المنشار أو على خط واحد معه.
- ◀ لا تمد يدك أبداً فوق نصل المنشار أو خلفه لجذب قطعة العمل أو سندها. فقد يحدث تلامس غير مقصود مع نصل المنشار أو قد تتسبب الصدمة الارتدادية في سحب أصابعك إلى نصل المنشار.
- ◀ لا تمسك قطعة العمل الجاري قطعها أو تضغط عليها في اتجاه نصل المنشار الدائر. ضغط قطعة العمل الجاري قطعها على نصل المنشار قد يجعل الظروف مهيئة للانحصار والصدمة الارتدادية.
- ◀ قم بمحاذاة الحاجز حتى يصبح موازياً لنصل المنشار. عدم محاذاة الحاجز سيتسبب في انحصار قطعة العمل في نصل المنشار مما يؤدي إلى حدوث صدمة ارتدادية.
- ◀ استخدم مشط ضاغط لتوجيه قطعة العمل إلى الطاولة والحاجز عند عمل قطوع غير نافذة مثل التفريز أو التخديد أو النشر إلى قطع صغيرة. يعمل المشط الضاغط على التحكم في قطعة العمل في حالة حدوث صدمة ارتدادية.
- ◀ احرص على سند الألواح الكبيرة لتقليل مخاطر تعثر نصل المنشار والصدمة الارتدادية. تميل الألواح الكبيرة للهبوط نتيجة لوزنها الكبير. يجب وضع سنادة (سنادات) أسفل أجزاء اللوح البارز من سطح الطاولة.
- ◀ تصرف بحرص شديد عن القيام بقطع قطعة عمل ملتوية أو معقودة أو منحنية أو حافتها ليست مستقيمة فلا يمكن توجيهها باستخدام مقياس القطع المشطوف أو الحاجز المتوازي. قطعة العمل الملتوية أو المعقودة أو المنحنية تكون غير مستقرة وقد تتسبب في عدم محاذاة الشق مع نصل المنشار، وفي الانحصار والصدمة الارتدادية.
- ◀ لا تقم أبداً بقطع أكثر من قطعة عمل واحدة سواء كانت متراصة أفقياً أو رأسياً. فقد ينشك نصل المنشار في قطعة أو أكثر ويتسبب في صدمة ارتدادية.
- ◀ في حالة إعادة تشغيل المنشار بينما نصل المنشار داخل قطعة العمل احرص على مركزة النصل في الشق بحيث تكون أسنان المنشار غير داخلية في الخامة. في حالة تعرض النصل للإعاقة فقد يرفع قطعة العمل ويسبب صدمة ارتدادية عند إعادة تشغيل النصل.
- ◀ حافظ على نظافة وحدة أنصال المنشار، وعلى ضيبتها بشكل كافٍ. لا تستخدم أبداً أنصال منشار منحنية أو أنصال منشار بأسنان مشقوقة أو مكسورة. أنصال المنشار للمادة والمضبوطة بشكل صحيح تقلل فرص التعثر والتوقف والتعرض لصدمة ارتدادية.
- تحذيرات خطوات تشغيل منشار الطاولة
- ◀ أوقف منشار الطاولة وافصل كابل الكهرباء عند خلع وليجة الطاولة أو تغيير نصل المنشار

- مطابق لتعليماتها. تتبع هذه العصا الضاغطة مسافة كافية بين اليد ونصل المنشار.
- ◀ لا تقم أبداً باستخدام عصا ضاغطة بها أضرار أو كسور. فقد تنكسر العصا الضاغطة إن كان بها أضرار مما قد يؤدي إلى انزلاق يدك إلى نصل المنشار.
- ◀ لا تقم بأي عمل «باليد الحرة». احرص دائماً على استخدام حاجز متوازي أو مقياس قطع مشطوف لوضع قطعة العمل وتوجيهها. «اليد الحرة» تعني استخدام يدك في سند قطعة العمل وتوجيهها بدلاً من الحاجز المتوازي أو مقياس القطع المشطوف. النشر باليد الحرة يؤدي إلى الخطأ في المحاذاة وإلى الانحصار وإلى الصدمة الارتدادية.
- ◀ لا تمد يدك أبداً فوق نصل المنشار أو حوله أثناء دورانه. قد يؤدي مد يدك لأخذ قطعة العمل إلى التلامس غير المقصود مع نصل المنشار المتحرك.
- ◀ احرص على توفير دعامة إضافية لقطعة العمل بالجزء الخلفي و/أو جوانب طاولة النشر لقطع العمل الطويلة و/أو العريضة لتظل في نفس المستوى. تميل قطع العمل الطويلة/أو العريضة لأن ترتكز على حافة الطاولة مما يسبب فقدان التحكم أو انحصار نصل المنشار أو الصدمة الارتدادية.
- ◀ أدخل قطعة العمل بسرعة منتظمة. لا تقم ببناء أو إدارة قطعة العمل. في حالة حدوث انحصار أوقف الأداة على الفور واسحب قابس الأداة، ثم قم بإزالة سبب الانحصار. انحصار نصل المنشار بسبب قطعة العمل يمكن أن يتسبب في صدمة ارتدادية أو توقف المحرك.
- ◀ لا تبعد أجزاء الخامة التي يتم قطعها بينما المنشار يعمل. فقد تنحصر الخامة بين الحاجز أو واقية نصل المنشار من الداخل ونصل المنشار مما يتسبب في جذب أصابعك نحو نصل المنشار. أوقف المنشار وانتظر حتى يتوقف نصل المنشار قبل تحريك الخامة.
- ◀ استخدم حاجز إضافي بالارتباط مع سطح الطاولة عند القطع المضلع لقطع عمل بسلك أقل من 2 مم. فقطعة العمل السمكة قد تنحصر أسفل الحاجز المتوازي وتتسبب في صدمة ارتدادية.
- أسباب الصدمة الارتدادية والتحذيرات المتعلقة بها
- الصدمة الارتدادية هي رد فعل مفاجئ لقطعة العمل نتيجة لتعثر أو انحصار نصل المنشار أو محاذاة خط القطع بشكل خاطئ بالنسبة لنصل المنشار أو عندما ينحصر جزء من قطعة الشغل بين نصل المنشار والحاجز المتوازي أو أجسام ثابتة أخرى.
- يحدث كثيراً أثناء الصدمة الارتدادية أن يتم رفع قطعة العمل من الطاولة من خلال الجزء الخلفي لنصل المنشار وتندفع في اتجاه المشغل.
- تعتبر الصدمة الارتدادية نتيجة للاستخدام الخاطئ للمنشار و/أو لخطوات تشغيل غير صحيحة أو لظروف غير ملائمة، ويمكن تجنبها عن طريق أخذ الاحتياطات المناسبة المبينة أدناه.

- ◀ لا تستخدم العدة الكهربائية أبداً دون وليجة الطاولة. استبدل الوليجة التالفة للطاولة. قد تصاب بجروح من قبل نصل المنشار إن كانت وليجة الطاولة غير سليمة.
- ◀ حافظ على نظافة مكان العمل. كما أن اختلاط المواد بعضها ببعض أمر خطير جداً. حيث يمكن أن يشتعل غبار المعدن الخفيف أو ينفجر.
- ◀ اختر نصل المنشار المناسب للخامة التي تريد معالجتها.
- ◀ استعمل فقط أنصال المنشار التي ينصح باستعمالها منتج هذه العدة الكهربائية والتي تصلح للاستعمال مع خامات الشغل المرغوب معالجتها.
- ◀ : ادفع قطعة الشغل على نصل المنشار الدائر. وإلا فقد يتشكل خطر صدمة ارتدادية إن تكلب نصل المنشار في قطعة الشغل.

## الرموز

قد تكون الرموز التالية ذات أهمية من أجل استعمال عدتك الكهربائية. يرجى حفظ الرموز ومعناها. يساعدك تفسير الرموز بشكل صحيح على استعمال عدتك الكهربائية بطريقة أفضل وأكثر أماناً.

### الرموز ومعناها

لا تقترب بيديك من نطاق النشر أثناء عمل العدة الكهربائية. قد تحدث إصابات عند ملامسة شفرة المنشار.



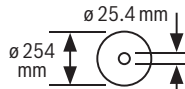
قم بارتداء قناع للوقاية من الغبار.



قم بارتداء واقية سمع. قد يؤدي تأثير الضجيج إلى فقدان قدرة السمع.



قم بارتداء نظارات واقية.



تراجعى مقاسات شفرة المنشار. يجب أن يتلامس قطر الثقب مع محور دوران العدة دون وجود نسبة تفاوت. إذا كان من الضروري استخدام قطع التصغير احرص على أن تلامس أبعاد قطعة التصغير سمك الشفرة الفولاذية وقطر الثقب الخاص بشفرة المنشار بالإضافة لقطر محور دوران العدة. استخدم قدر الإمكان قطع التصغير الموردة مع شفرة المنشار.

أو إجراء عمليات ضبط على إسفين الشق أو واقية نصل المنشار أو عند ترك الماكينة دون مراقبة. ستجنبك الإجراءات الوقائية خطر وقوع حوادث.

◀ لا تترك أبداً منشار الطاولة يعمل دون مراقبة. أوقفه ولا تترك الأداة أبداً إلا بعد أن تتوقف تماماً. المنشار المشغل دون مراقبة يمثل خطراً خارج عن السيطرة.

◀ ضع منشار الطاولة في مكان مستو وجيد الإضاءة، بحيث يتم ضمان وجود قاعدة متزنة. يجب أن يتم نصب المنشار في مكان مساحته كافية للتعامل مع مقاسات قطع العمل الخاصة بك. تنسب المساحات الضيقة والمظلمة ذات الأرضيات الزلقة وغير المستوية في وقوع الحوادث.

◀ احرص على تنظيف منشار الطاولة و/أو جهاز جمع الغبار وإزالة غبار النشر من أسفلهما بشكل دوري. غبار النشر المتراكم قابل للاحتراق وقد يشتعل ذاتياً.

◀ يجب تأمين منشار الطاولة. منشار الطاولة غير المؤمن بشكل مناسب قد يتحرك أو ينقلب.

◀ قم بإزالة الأدوات ونشارة الخشب وما شابه من الطاولة قبل تشغيل منشار الطاولة. يمكن أن يتسبب الانحراف عن المسار أو الانحصار المحتمل في خطورة.

◀ احرص دائماً على استخدام أنصال ذات شكل ومقاس صحيحين (ماسي مقابل مستدير) للتجاويف الوسطى. أنصال المنشار غير المناسبة لأجزاء تركيب المنشار ستدور بشكل حاد عن المركز مما يتسبب في فقدان التحكم.

◀ لا تستخدم أبداً وسائل تركيب أنصال منشار بها أضرار أو غير صحيحة مثل الفلانشات أو وردات نصل المنشار أو البراغي أو الصواميل. وسائل التركيب هذه مصممة خصيصاً لمنشارك لتشغيله بشكل آمن ولتحقيق أداء مثالي.

◀ لا تقف أبداً على منشار الطاولة ولا تستخدمه أبداً كدرجة صعود. قد تحدث إصابات خطيرة في حالة انقلاب الأداة أو إذا تم لمس أداة القطع بشكل غير مقصود.

◀ تأكد أن نصل المنشار مركب ليدور في الاتجاه الصحيح. لا تستخدم أقراص الجليخ أو الفرشات السلوكية أو الأقراص الكاشطة على منشار الطاولة. قد يتسبب التركيب غير الصحيح لنصل المنشار أو استخدام ملحقات غير موصى بها في حدوث إصابات بالغة.

## إرشادات الأمان الإضافية

◀ ارتد قفازات واقية عند تركيب نصل المنشار. خطر التعرض للإصابة.

◀ لا تستخدم نصال المنشار المصنوعة من الفولاذ HSS. فنصال المنشار هذه قد تنكسر بسهولة.

◀ استخدم فقط أنصال المنشار التي توافق البيانات المذكورة في دليل الاستعمال هذا وعلى العدة الكهربائية، والتي تم اختبارها حسب المواصفة EN 847-1 والتي تم وضع علامة عليها تشير إلى ذلك.



## الرموز ومعناها

**CE** من خلال العلامة CE تؤكد الجهة الصانعة أن العدة الكهربائية مطابقة لمواصفات الاتحاد الأوروبي.

## وصف المنتج والأداء

**اقرأ جميع إرشادات الأمان والتعليمات.** ارتكاب الأخطاء عند تطبيق إرشادات الأمان والتعليمات، قد يؤدي إلى حدوث صدمات الكهربائية أو إلى نشوب الحرائق و/أو الإصابة بجروح خطيرة.



يرجى الرجوع إلى الصور الموجودة في الجزء الأول من دليل التشغيل.

## الاستعمال المطابق للتعليمات

لقد خصصت العدة الكهربائية كجهاز مركزي ثابت لتنفيذ القطوع الطولية والعرضية بمسار قطع مستقيم في الخشب الصلب والطري وأيضاً في ألواح الخشب المضغوط وألياف الخشب. حيث يمكن تنفيذ زوايا شطب أفقية من -60° حتى +60° وزوايا شطب رأسية من -2° حتى +47°.

عند استخدام شفرات المنشار الملائمة يمكن نشر قطعاً من الألمنيوم واللدائن.

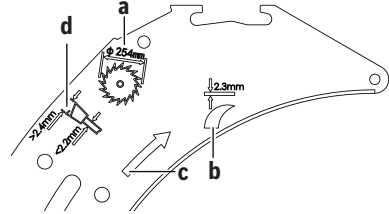
## الأجزاء المصورة

يشير ترقيم الأجزاء المصورة إلى رسوم العدة الكهربائية الموجودة في صفحة الرسوم التخطيطية.

- (1) حز دليلي لمصد التوازي
- (2) تدريب لبعده شفرة المنشار عن مصد التوازي
- (3) المصد الزاوي
- (4) تجاوز المسك
- (5) حز دليلي للمصد الزاوي
- (6) الغطاء الواقي
- (7) قاعدة المنشار
- (8) إسفين الشق
- (9) قفل الصدمات الارتدادية<sup>(a)</sup>
- (10) مصد التوازي
- (11) حز دليلي بشكل V بقاعدة المنشار لمصد التوازي
- (12) تجاوز التركيب
- (13) مقبض حمل
- (14) تعريض قاعدة المنشار
- (15) عروة تثبيت لمنضدة العمل GTA 600
- (16) مقبض شد تعريض قاعدة المنشار
- (17) ذراع تثبيت لضبط زوايا الشطب الرأسية
- (18) طارة يدوية
- (19) مرفق تدوير لرفع شفرة المنشار وتنزيلها
- (20) غطاء الأمان القلاب لمفتاح التشغيل والإطفاء
- (21) مفتاح سداسي الرأس مجوف (2 مم)
- (22) مفتاح سداسي الرأس المجوف (5 مم)

## الرموز ومعناها

يجب أن يطابق قطر شفرة المنشار الرقم الموجود على الرمز.

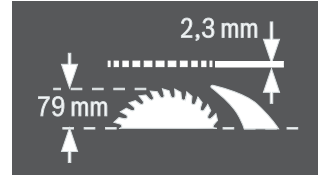


أ يجب ألا يتجاوز قطر شفرة المنشار 254 مم.

ب يبلغ سمك إسفين الشق 2,3 مم.

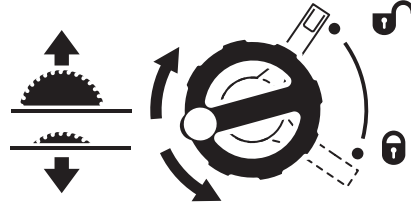
ج يجب أن يتوافق اتجاه قطع الأسنان (اتجاه السهم موضع على شفرة المنشار) مع اتجاه السهم على إسفين الشق.

د يراعى أثناء تغيير شفرة المنشار ألا يكون عرض القطع أصغر من 2,4 مم، وألا يكون سمك النصل الفولاذي أكبر من 2,2 مم. وإلا فقد ينشأ خطر تكلب إسفين الشق في قطعة الشغل.



يبلغ سمك إسفين الشق 2,3 مم.

يبلغ أقصى ارتفاع ممكن لقطعة الشغل 79 مم.



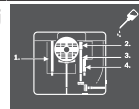
## الجانب الأيسر:

يشير إلى اتجاه دوران ذراع التدوير لإنزال شفرة المنشار (وضع النقل) ورفعه (وضع العمل).

## الجانب الأيمن:

يشير إلى وضع ذراع التثبيت لتثبيت شفرة المنشار وعند ضبط زاوية الشطب العمودية (شفرة المنشار قابلة للتأرجع).

زيت العدة الكهربائية عند الضرورة بالأماكن المشار إليها.



العدد الكهربائي من فئة الحماية II مقواة أو معزولة عزلاً مزدوجاً.



- (23) المفتاح الحلقي (23 مم)  
(24) عصا الدفع  
(25) لولب ضبط قوة شد مصد التوازي  
(26) وليجة المنضدة  
(27) شفرة المنشار  
(28) عدسة مكبرة  
(29) سكة مجسمة  
(30) حامل الكابل  
(31) مشبك قبض للاحتفاظ بمصد التوازي الإضافي  
(32) مقذف النشارة  
(33) مهائئ شفت  
(34) حامل لتخزين الغطاء الواقي  
(35) ذراع زنق إسفين الشق  
(36) اللوالب سداسية الرأس المجوفة الخاصة بإسفين الشق<sup>a</sup>  
(37) سيقان تحديد الموضع لإسفين الشق  
(38) تجاويف وليجة المنضدة  
(39) ذراع زنق الغطاء الواقي  
(40) المسمار الدليلي للغطاء الواقي  
(41) مقبض قمط مصد التوازي  
(42) دليل بشكل V بمصد التوازي  
(43) مصد توازي إضافي  
(44) طقم تثبيت «مصد التوازي الإضافي»  
(45) سكة توجيه المصد الزاوي  
(46) طقم تثبيت «السكة المجسمة»  
(47) لولب تثبيت مقذف النشارة  
(48) أزرار انضغاطية لإرجاع المسمار الدليلي لقفل الصدمات الارتدادية<sup>a</sup>  
(49) صامولة الشد  
(50) ذراع تثبيت محور الدوران  
(51) شفة الشد  
(52) محور دوران العدة
- (53) شفة التثبيت  
(54) مؤشر الزاوية (الرأسية)  
(55) تدريج زوايا الشطب (عمودياً)  
(56) مقبض تثبيت لزوايا الشطب المرغوبة (أفقياً)  
(57) مؤشر الزاوية على المصد الزاوي  
(58) مؤشر بعد قاعدة المنشار  
(59) زر التشغيل  
(60) صامولة محززة بالسكة المجسمة  
(61) لولب متصالب الحز لضبط المصد 0°  
(62) مصد زاوية الشطب المائلة 0° (عمودياً)  
(63) لولب مؤشر الزاوية (عمودياً)  
(64) لولب متصالب الحز لضبط المصد 45°  
(65) مصد زاوية الشطب المائلة 45° (عمودياً)  
(66) لوالب سداسية الرأس (5 مم) أمامًا لضبط توازي شفرة المنشار  
(67) لوالب سداسية الرأس (5 مم) خلفًا لضبط توازي شفرة المنشار  
(68) لولب لمؤشر بعد قاعدة المنشار  
(69) لوالب سداسية الرأس (5 مم) لضبط توازي مصد التوازي  
(70) لولب لمؤشر بعد مصد التوازي  
(71) لوالب ضبط وليجة المنضدة  
(72) حامل حفظ طقم تثبيت «مصد التوازي الإضافي»  
(73) مشبك قبض لحفظ مهائئ الشفت  
(74) حامل تخزين قفل الصدمات الارتدادية<sup>a</sup>  
(75) صامولة تثبيت لمفتاح الربط الحلقي ولتعليق عصا الدفع  
(76) حامل حفظ المفتاح سداسي الرأس المجوف  
(77) مشبك قبض لحفظ المصد الزاوي  
a الطراز الخاص بالبلد 3 601 M30 5C2

### البيانات الفنية

GTS 10 J		GTS 10 J		منشار منضدة دائري	
3 601 M30 5C2		3 601 M30 5..		رقم الصنف	
1700	1800	واط		قدرة الدخل الاسمية	
120	240-220	فلط		الجهد الاسمي	
60	50/60	هرتز		التردد	
3700	3650	دقيقة <sup>1</sup>		عدد اللفات اللاحملي	
●	●			محدد تيار بدء التشغيل	
26,2	26,2	كجم		الوزن حسب EPTA- Procedure 01:2014	
□/□/□	□/□/□			فئة الحماية	
الأبعاد (شاملة عناصر الجهاز القابلة للفك)					
330 x 706 x 640	330 x 706 x 640	مم		العرض x العمق x الارتفاع	
مقاسات شفرات المنشار الملائمة					
254	254	مم		قطر شفرة المنشار	

منشار منضدة دائري		GTS 10 J	GTS 10 J
سمك الشفرة	مم	2,2 >	2,2 >
سمك/تفليح الأسنان الأذني	مم	2,4 <	2,4 <
قطر الفجوة	مم	25,4	25,4

- انزع كل مواد التغليف عن العدة الكهربائية وعن التوايح المرفقة.

- احرص على نزع مواد التغليف تحت كتلة المحرك. توجد عناصر الجهاز التالية مثبتة على جسم الجهاز مباشرة: عصا الدفع (24)، المفتاح الحلقي (23)، مفتاح سداسي الرأس المجوف (22) و (21)، مصد التوازي (10)، المصد الزاوي (3)، مهائئ شفط (33)، مصد توازي إضافي (43) مع طقم التثبيت (44)، الغطاء الواقي (6).
- عندما تحتاج أحد هذه العناصر أخرجها بحرص من موضع حفظها.

#### تحديد موضع إسفين الشق (انظر الصور a1-a2)

- إرشاد:** قم بتنظيف جميع الأجزاء المطلوب تركيبها قبل تحديد موضعها عند الضرورة.
- أدر ذراع التدوير (19) في اتجاه حركة عقارب الساعة حتى النهاية، بحيث ترتكز شفرة المنشار (27) بأعلى وضعية ممكنة فوق قاعدة المنشار.
- قم بمل ذراع الزنق (35).

أو  
طراز خاص بالبلد 3 601 M30 5C2 : قم بمل اللوالب سداسية الرأس المجوف (36) باستخدام مفتاح سداسي الرأس (22).

- حرك إسفين الشق (8) في اتجاه ذراع الزنق (35)، حتى يمكن سحبه إلى أعلى.
- اسحب إسفين الشق إلى أعلى، بحيث يكون موضعه أعلى منتصف شفرة المنشار بالضبط.
- ركب الساقين (37) في الفتحات السفلية بإسفين الشق، وأحكم ربط ذراع الزنق (35) واللوايب سداسية الرأس المجوف (36) مرة أخرى.

#### تركيب وليجة المنضدة (انظر الصورة b)

- قم بشبك وليجة المنضدة (26) في التجاويف الخلفية (38) بعلبة العدة.
- حرك وليجة المنضدة إلى أسفل.
- اضغط على وليجة المنضدة إلى أن تثبت في علبة العدة تمامًا.

يجب أن يتساطع الجانب الأمامي لوليجة المنضدة (26) مع قاعدة المنشار أو أن يركز تحتها بقليل، ويجب أن يتساطع الجانب الخلفي مع قاعدة المنشار أو أن يركز فوقها بقليل.

#### تركيب غطاء الحماية (انظر الصور c1-c2)

- إرشاد:** لا تقم بتركيب غطاء الحماية إذا كان إسفين الشق في أعلى وضع فوق منتصف شفرة المنشار تماما (انظر الصورة a2). لا تقم بتركيب غطاء الحماية عندما يكون إسفين الشق في أدنى وضع (حالة التوريد أو وضع نشر الحزوز) (انظر الصورة a1).
- قم بتركيب ذراع الزنق (39) وأخرج غطاء الحماية (6) من الحامل (34).

أقصى مقاسات قطعة الشغل: (انظر «أقصى مقاسات قطعة الشغل»، الصفحة 133)

تسري البيانات على جهد اسمي [U] يبلغ 230 فلف. قد تختلف تلك البيانات حسب اختلاف الجهد والطرازات الخاصة بكل دولة.

## التركيب

◀ تجنب تشغيل العدة الكهربائية بشكل غير مقصود. لا يجوز أن يكون كابل الشبكة الكهربائية موصولاً بالأمماد بالكهرباء أثناء التركيب وأثناء إجراء مجمل الأعمال على العدة الكهربائية.

### مجموعة التجهيزات الموردة

- تأكد قبل تشغيل العدة الكهربائية للمرة الأولى، إنه قد تم توريد جميع الأجزاء المذكورة أدناه:
- المنشار الدائري الثابت مع شفرة منشار مركبة (27) وإسفين الشق (8)
- المصد الزاوي (3)
- سكة مجسمة (29)
- طقم تثبيت «السكة المجسمة» (46) (صفحة توجيه، صامولة محززة، لولب، فلكة)
- مصد التوازي
- مصد توازي إضافي (43)
- طقم تثبيت «مصد التوازي الإضافي» (44) (3 لولب تثبيت، 3 فلكات، 3 صواميل مجنحة)
- الغطاء الواقي (6)
- قفل الصدمات الارتدادية (9) (الطراز الخاص بالبلد 3 601 M30 5C2)
- مفتاح سداسي الرأس المجوف (22)
- مفتاح سداسي الرأس المجوف (21)
- المفتاح الحلقي (23)
- عصا الدفع (24)
- وليجة المنضدة (26)
- مهائئ شفط (33)

**ملاحظة** افحص العدة الكهربائية من حيث وجود أي أضرار محتملة.

يجب فحص تجهيزات الوقاية أو الأجزاء التي تعرضت لضرب طفيف فحصاً دقيقاً، للتأكد من أدائها لوظيفتها بشكل سليم وفقاً للتعليمات. تأكد من أن الأجزاء المتحركة تعمل بشكل سليم وأنها غير منقطة، أو إن كانت هناك أية أجزاء تالفة. يجب أن تكون جميع الأجزاء مركبة بشكل صحيح وأن تلبى جميع الشروط من أجل ضمان العمل بشكل سليم.

يجب أن يتم تصليح أو استبدال تجهيزات الوقاية والقطع التالفة بالشكل المطلوب من خلال ورشة خدمة متخصصة.

### تركيب الأجزاء المفردة

- انزع جميع الأجزاء المرفقة عن التغليف بحرص.

## شفط الغبار/النشارة

إن غبار بعض المواد كالمطال الذي يحتوي على الرصاص، وبعض أنواع الخشب والفلات والمعادن، قد تكون مضرّة بالصحة. إن ملامسة أو استنشاق غبار قد يؤدي إلى أعراض حساسية و/أو إلى أمراض الجهاز التنفسي لدى المستخدم أو لدى الأشخاص المتواجدين على مقربة من المكان. تعتبر بعض الأعبرة المعينة، كأعبرة البلوط والزنان، مسببة للسرطان، ولا سيما عند الارتباط بالمواد الإضافية لمعالجة الخشب (ملح حامض الكروميك، المواد المضافة للخشب). يجوز أن يتم معالجة المواد التي تحتوي على الأسبستوس من قبل العمال المتخصصين فقط دون غيرهم.

– استخدم شافطة غبار ملائمة للمادة قدر الإمكان.  
– حافظ على تهوية مكان الشغل بشكل جيد.  
– ينصح بارتداء قناع ووقاية للتنفس بفتحة المرشح P2.  
– تراعى الأحكام السارية في بلدكم بالنسبة للمواد المرغوب معالجتها.

قد تستعصي شافطة الغبار/النشارة من خلال الغبار أو النشارة أو أجزاء صغيرة من قطعة الشغل.  
– أطفئ العدة الكهربائية واسحب قابس الشبكة الكهربائية من المقبس.  
– انتظر إلى أن تتوقف شفرة المنشار عن الحركة تماما.

– ابحث عن سبب الاستعصاء واعمل على إزالته.  
◀ **تجنب تراكم الغبار بمكان العمل.** يجوز أن تشتعل الأعبرة بسهولة.

◀ **لتجنب خطر الحريق أثناء نشر الألومنيوم قم بتفريغ مقذف النشارة ولا تستخدم شافطة للبرادة.**

### تفريغ مقذف النشارة (انظر الصورة g)

يمكنك أن تقوم بتفريغ مقذف النشارة من أجل إزالة أجزاء مكسورة عن قطعة الشغل وقطع النشارة الكبيرة (32).

– أطفئ العدة الكهربائية واسحب قابس الشبكة الكهربائية من المقبس.  
– انتظر إلى أن تتوقف شفرة المنشار عن الحركة تماما.

– قم بملح لولب التثبيت (47) باستخدام مفتاح سداسي الرأس المجوف (22).

– اخلع مقذف النشارة (32) وأزل الأجزاء المكسورة من قطعة الشغل وأزل النشارة.  
– ركب مقذف النشارة على العدة الكهربائية.

### الشفط الخارجي (انظر الصورة h)

استخدم وصلة الشفط المهيأة (33) الموردة لتوصيل شافطة غبار بمقذف النشارة (32).

– قم بتركيب مهائى الشفط (33) وخرطوم شافطة الغبار بإحكام.

يجب أن تصلح شافطة الغبار الخوائية للاستعمال مع مادة الشغل المرغوب معالجتها.

استخدم شافطة غبار خوائية خاصة عند شفط الأعبرة المضرّة بالصحة أو المسببة للسرطان أو الشديدة الجفاف.

– أمسك واقية شفرة المنشار بإحدى اليدين (القضيب المعدني العلوي) (6) جيدا، ومرك باليد الأخرى ذراع الزنق (39) إلى أعلى.  
– حرك المسمار الدليلي (40) للخلف داخل حز إسفين الشق (8).

– حرك غطاء الحماية (6) لأسفل إلى أن تصبح واقية شفرة المنشار (القضيب المعدني العلوي) موازية لسطح قاعدة المنشار (7).

– اضغط ذراع الزنق (39) نحو الأسفل. ينبغي أن يتم تثبيت ذراع الزنق بصوت مسموع ويمكن الإحساس به، كما ينبغي أن يكون غطاء الحماية (6) قد تم تركيبه وبشكل محكم وأمن.

◀ **تأكد قبل كل استخدام من قدرة غطاء الحماية على التحرك بشكل سليم. لا تستخدم العدة الكهربائية إذا كان غطاء الحماية غير حر الحركة ولا ينغلق على الفور.**

### تركيب مصد التوازي (انظر الصورة d)

يمكن تركيب مصد التوازي (10) إما على يمين أو يسار شفرة المنشار.

– قم بفك مقبض الشد (41) الخاص بمصد التوازي (10). يخفف ذلك التحميل عن الدليل بشكل V (42).

– قم أولاً بتركيب مصد التوازي مع الدليل بشكل V في الحز الدليلي (11) بقاعدة المنشار. ركز مصد التوازي بعد ذلك في الحز الدليلي الأمامي (1) بقاعدة المنشار.  
يمكنك الآن تحريك مصد التوازي كما تشاء.

– لتثبيت مصد التوازي اضغط مقبض القمط (41) نحو الأسفل.

### تركيب مصد التوازي الإضافي (انظر الصورة e)

#### لنشر قطع الشغل الرفيعة ولنشر زوايا شطب رأسية ينبغي تركيب مصد التوازي الإضافي (43) على مصد التوازي (10).

يمكن تركيب مصد التوازي الإضافي حسب الحاجة على يمين أو يسار مصد التوازي (10).

استخدم طقم تثبيت "مصد التوازي الإضافي" من أجل التركيب (44) (لولبي تثبيت، فلكتين، صامولتين مجنبتين).

– ادفع لولب التثبيت عبر الثقوب الجانبية بمصد التوازي (10).

– تعمل رؤوس اللولب بذلك عمل الدليل لمصد التوازي الإضافي.

– ادفع مصد التوازي الإضافي (43) فوق رؤوس لولب التثبيت.

– ضع الفلك على لولب التثبيت وقم بإحكام ربط اللولب بواسطة الصواميل المجنحة.

### تركيب المصد الزاوي (انظر الصورة f1-f2)

– أدخل القضيب (45) الخاص بالمصد الزاوي (3) في أحد الحزوز الدليلية المخصصة (5) بقاعدة المنشار.

يمكن تعريض مصد التوازي بواسطة السكة المجسمة (29) لتحسين ارتكاز قطع الشغل الطويلة.

– قم بتركيب السكة المجسمة على مصد التوازي بالاستعانة بطقم التثبيت (46) عند الحاجة.

- بسحب قفل الصدمات الارتدادية (9) من التجويف الموجود بإسفين الشق (8).
- باستخدام مفك براغي ارفع وليجة المنضدة (26) من الأمام وأخرجها من علبة العدة.
- أدر صامولة الشد (49) باستخدام المفتاح الحلقي (23) واسحب ذراع تثبيت محور الدوران (50) في نفس الوقت حتى يتم تثبيته.
- حافظ على سحب ذراع تثبيت محور الدوران وفك صامولة الشد بفتلها بعكس اتجاه حركة عقارب الساعة.
- اخلع فلانشة الشد (51).
- وأخرج شفرة المنشار (27).

### تركيب شفرة المنشار

- نظف جميع الأجزاء المطلوب تركيبها قبل التركيب عند الضرورة.
- ضع شفرة المنشار الجديدة على فلانشة التثبيت (53) الخاصة بمحور دوران العدة (52).
- ملحوظة:** لا تستخدم شفرات منشار شديدة الصغر. لا يجوز أن تتخطى المسافة نصف القطرية بين شفرة المنشار وإسفين الشق 3 - 8 مم.
- ◀ **يراعى أثناء التركيب أن يتوافق اتجاه قص الأسنان (اتجاه السهم على شفرة المنشار) مع اتجاه السهم على إسفين الشق.**
- قم بتركيب فلانشة الشد (51) وصامولة الشد (49).
- أدر صامولة الشد (49) باستخدام المفتاح الحلقي (23) واسحب ذراع تثبيت محور الدوران (50) في نفس الوقت حتى يتم تثبيته.
- شد صامولة الشد بإحكام بفتلها باتجاه حركة عقارب الساعة.
- قم بتركيب وليجة المنضدة (26) مرة أخرى.
- قم بتركيب غطاء الحماية (6) مرة أخرى.
- بشكل إضافي مع الطراز الخاص بالبلد 3 601 M30 5C2 :  
أعد تركيب قفل الصدمات الارتدادية (9).

## التشغيل

- ◀ **اسحب القابض من مقبس الشبكة الكهربائية قبل إجراء أي عمل على العدة الكهربائية.**
- وضع النقل ووضع العمل لشفرة المنشار**
- وضع النقل**
- أخرج غطاء الحماية (6) وقم بإزالة وليجة المنضدة (26) وضع إسفين الشق (8) في أدنى وضع. قم بتركيب وليجة المنضدة (26) مرة أخرى.
- أدر ذراع التدوير (19) في عكس اتجاه حركة عقارب الساعة إلى أن توجد أسنان شفرة المنشار (27) أسفل قاعدة المنشار (7).
- حرك تعريض قاعدة المنشار (14) نحو الداخل بشكل كامل.
- اضغط مقبض الشد (16) إلى أسفل. يكون قد تم تثبيت امتداد قاعدة المنشار بذلك.

**التركيب المركزي الثابت أو المتحرك**  
◀ **يجب أن يتم تركيب العدة الكهربائية على سطح عمل مستو وثابت (منضدة عمل مثلاً) قبل البدء بالعمل لضمان الاستعمال الآمن.**

### التركيب على سطح عمل (انظر الصورة i)

- ثبت العدة الكهربائية على سطح العمل بواسطة لوابل ربط مناسبة. يتم ذلك عن طريق الثقوب (12).

### التركيب على منضدة بوش للعمل (انظر الصورة j)

- إن مناضد العمل من شركة بوش (مثل GTA 600) تؤمن للعدة الكهربائية الثبات على كل أرضية من خلال الأقدام القابلة لضبط الارتفاع.

◀ **اقرأ جميع ملاحظات التحذير والتعليمات المرفقة بمنضدة العمل.** إن التقصير بالمحافظة على الملاحظات التحذيرية والتعليمات قد تكون من عواقبه الصدمات الكهربائية، اندلاع المريق و/أو الإصابة بجروح خطيرة.

- ◀ **انصب منضدة العمل بالشكل الصحيح قبل تركيب العدة الكهربائية.** إن التركيب بشكل سليم هام جداً من أجل تجنب خطر الانهدام.
- ركب العدة الكهربائية بوضع النقل على طاولة العمل.

### تغيير شفرة المنشار (انظر الصور k1-k4)

- ◀ **اسحب القابض من مقبس الشبكة الكهربائية قبل إجراء أي عمل على العدة الكهربائية.**
- ◀ **ارتد قفازات واقية عند تركيب نصل المنشار.** خطر التعرض للإصابة.
- ◀ **استخدم فقط نصال المنشار التي تزيد سرعتها القصوى المسموحة عن عدد الدوران اللاحملي بالعدة الكهربائية.**
- ◀ **استخدم فقط أنصال المنشار التي توافق البيانات المذكورة في دليل الاستعمال هذا وعلى العدة الكهربائية، والتي تم اختبارها حسب المواصفة EN 847-1 والتي تم وضع علامة عليها تشير إلى ذلك.**
- ◀ **استعمل فقط شفرات المنشار التي ينصح باستعمالها منتج هذه العدة الكهربائية والتي تصلح للاستعمال مع مواد الشغل المرغوب معالجتها.** وبذلك تتجنب السخونة المفرطة لرؤوس أسنان المنشار، وانصهار قطعة البلاستيك المراد معالجتها.
- ◀ **لا تستخدم نصال المنشار المصنوعة من الفولاذ HSS.** فنصال المنشار هذه قد تنكسر بسهولة.

### فك شفرة المنشار

- أدر ذراع التدوير (19) في اتجاه حركة عقارب الساعة حتى النهاية، بحيث ترتكز شفرة المنشار (27) بأعلى وضعية ممكنة فوق قاعدة المنشار.
- افتح ذراع الزنق (39) وأخرج غطاء الحماية (6) من الحز بإسفين الشق (8).
- بشكل إضافي مع الطراز الخاص بالبلد 3 601 M30 5C2 :  
اضغط على الأزرار الانضغاطية (48) معاً، وقم

## ضبط مصد التوازي

يمكن تركيز مصد التوازي على يسار (التدريج الأسود) أو يمين (التدريج الفضي) نصل المنشار. تبين العلامة في العدسة المكبرة (28) المسافة المضبوطة بين مصد التوازي وشفرة المنشار على التدريج (2).

ضع مصد التوازي على جانب نصل المنشار المرغوب.

### ضبط مصد التوازي

عندما تكون قاعدة المنشار مفتوحة ومسحوبة

- قم بفك مقبض الشد (41) الخاص بمصد التوازي. حرك مصد التوازي، إلى أن تشير العلامة بالعدسة المكبرة (28) إلى المسافة المرغوبة حتى شفرة المنشار.
- عندما تكون منضدة العمل غير مفتوحة تسري الكتابة السفلية على التدريج الفضي (2).
- اضغط مقبض الشد (41) نحو الأسفل مرة أخرى من أجل التثبيت.

### ضبط مصد التوازي

عندما تكون قاعدة المنشار مفتوحة ومسحوبة (انظر الصورة D)

- ركز مصد التوازي على يمين نصل المنشار. حرك مصد التوازي، إلى أن تشير العلامة بالعدسة المكبرة (28) إلى التدريج السفلي 26 سم.
- اضغط مقبض الشد (41) نحو الأسفل مرة أخرى من أجل التثبيت.
- اجذب مقبض الشد (16) إلى أعلى تماما لإطالة قاعدة المنشار.
- قم بسحب امتداد قاعدة المنشار (14) إلى الخارج إلى أن يشير مبيّن البعد (58) على التدريج العلوي إلى البعد المرغوب عن نصل المنشار.
- اضغط مقبض الشد (16) إلى أسفل.
- يكون قد تم تثبيت امتداد قاعدة المنشار بذلك.

## ضبط مصد التوازي الإضافي (انظر الصورة E)

لنشر قطع الشغل الرفيعة ونشر زوايا شطب رأسية ينبغي تركيب مصد التوازي الإضافي (43) على مصد التوازي.

- يمكن تركيب مصد التوازي الإضافي حسب الحاجة على يمين أو يسار مصد التوازي.
- قد تنحصر قطع الشغل أثناء النشر بين مصد التوازي ونصل المنشار، فيتم لطمها وقذفها من قبل نصل المنشار أثناء حركة صعوده.
- لتجنب ذلك ينبغي أن يضبط مصد التوازي الإضافي بحيث تنتهي نهاية دليله بالمجال الكائن بين السن الأمامي لنصل المنشار والحافة الأمامية لإسفين الشق.
- لتنفيذ ذلك ينبغي أن تحمل جميع الصواميل المجنحة الخاصة بطقم التثبيت (44) وحرك مصد التوازي الإضافي إلى أن يتم التثبيت من قبل اللولبين الأماميين فقط.
- أعد إحكام شد الصواميل المجنحة.

## ضبط إسفين الشق

يمنع إسفين الشق (8) انحصار نصل المنشار (27) في أخدود القص. فلو تكلم نصل المنشار في قطعة

## وضع العمل

- ضع إسفين الشق (8) في أعلى وضع فوق منتصف شفرة المنشار تماما، وقم بتريكب وليجة المنضدة (26) وغطاء الحماية (6).
- أدر ذراع التدوير (19) في اتجاه عقارب الساعة إلى أن تصبح السنون العلوية لشفرة المنشار (27) فوق قطعة الشغل بمسافة 3 - 6 مم تقريبا.

## ضبط زوايا الشطب المائل العمودية والأفقية

ينبغي أن يتم فحص الضبط الأساسي بالعدة الكهربائية بعد الاستعمال المكثف وإعادة ضبطها عند الضرورة للمحافظة على دقة القص.

### ضبط زوايا الشطب العمودية (شفرة المنشار) (انظر الصورة A)

- يمكن ضبط زاوية الشطب المائلة العمودية في نطاق يتراوح بين 2° و 47°.
- قم بخل ذراع التثبيت (17) بإدارته عكس اتجاه حركة عقارب الساعة.

**ملحوظة:** عند حل ذراع التثبيت بشكل كامل، فإن شفرة المنشار ستنتقل من جراء قوة الجاذبية إلى وضعية تعادل 30° تقريبا.

- اسمب أو اضغط الطارة اليدوية (18) على مسار قالب الإزلاق إلى أن يشير المؤشر الزاوي (54) إلى زاوية الشطب العمودية المرغوبة.
- حافظ على إبقاء الطارة اليدوية بهذا الوضع وأحكم شد ذراع التثبيت (17) مرة أخرى.

**للضبط السريع والدقيق للزوايا العمودية النموذجية 0° و 45°** هناك مصدات مضبوطة من قبل المصنع (62)، (65)) مخصصة لذلك.

### ضبط زاوية الشطب المائل الأفقية (المصد الزاوي) (انظر الصورة B)

- يمكن ضبط زاوية الشطب المائل الأفقية في نطاق يبلغ 60° (ناحية اليسار) حتى 60° (ناحية اليمين).
- قم بفك مقبض التثبيت (56) في حالة ربطه.
- أدر المصد الزاوي إلى أن يشير المؤشر الزاوي (57) إلى زاوية الشطب المرغوبة.
- قم بشد مقبض التثبيت (56) مرة أخرى.

## تكبير قاعدة المنشار

يجب أن تسند قطع الشغل الطويلة والثقيلة من طرف نهايتها السائبة أو أن تضع شيئا ما تحتها.

### تعريض قاعدة المنشار (انظر الصورة C)

- يتبع تعريض قاعدة المنشار (14) تعريض قاعدة النشر (7) إلى اليمين بحد أقصى 625 مم.
- اجذب مقبض الشد (16) إلى أعلى تماما لإطالة قاعدة المنشار.
- قم بسحب امتداد قاعدة المنشار (14) إلى الخارج لحين الوصل للطول المرغوب.
- اضغط مقبض الشد (16) إلى أسفل. يكون قد تم تثبيت امتداد قاعدة المنشار بذلك.



### انقطاع التيار الكهربائي

مفتاح التشغيل والإطفاء هو عبارة عن مفتاح لافلمية، وهو يمنع إعادة إدارة العدة الكهربائية من تلقاء نفسها بعد انقطاع التيار الكهربائي (سحب كابل الشبكة الكهربائية أثناء التشغيل مثلاً).  
لتشغيل العدة الكهربائية بعد ذلك مجدداً، يجب الضغط على زر التشغيل الأخضر (59).

### إرشادات العمل

#### ملاحظات نشر عامة

- ◀ يجب أن تتأكد قبل إجراء أي عملية قطع بالأ تلامس شفرة المنشار أي مصدر أو دليل أو أي جزء آخر من الجهاز في أي لحظة.
- ◀ لا تستخدم العدة الكهربائية لعمل الحزوز أو الطيات إلا مع تجهيزات الحماية الملائمة (مثل: غطاء نفق الوقاية، مشط القمط).
- ◀ لا تستخدم العدة الكهربائية لعمل شق (في التجويف المنتهي داخل قطعة الشغل).  
اهم نصل المنشار من الصدمات والطرقات. لا تعرض نصل المنشار لضغط جانبي.  
يجب أن يركز إسفين الشق على خط مسار شفرة المنشار من أجل تجنب انقماط قطعة الشغل.  
لا تعالج قطع الشغل الملتوية. يجب دائماً أن تكون حافة قطعة الشغل مستقيمة لكي يتم تركيزها على مصدر التوازي.  
احتفظ بعضا الدفع دائماً على العدة الكهربائية.

#### موقع المستخدم (انظر الصورة H)

- ◀ لا تقف أبداً على نفس خط نصل المنشار. اجعل جسمك دائماً في نفس جانب الحاجز بالنسبة لنصل المنشار. قد تتسبب الصدمة الارتدادية في اندفاع قطعة العمل بسرعة كبيرة في اتجاه أي شخص يقف أمام نصل المنشار أو على خط واحد معه.
- أبعد اليدين والأصابع والذراعين عن شفرة المنشار الدوار.
- تراجع أثناء ذلك الملاحظات التالية:
- امسك بقطعة الشغل بواسطة اليدين الاثنتين بأمان واضغطها بإحكام على منضدة الشغل.
- للعمل على قطع الشغل الرفيعة وعند نشر زاوية شطب رأسية احرص دائماً على استخدام عصا الدفع المورد (24) ومصدر التوازي الإضافي (43).

#### أقصى مقاسات قطعة الشغل

زاوية شطب عمودية	أقصى ارتفاع لقطعة الشغل [مم]
0°	79
45°	56

### النشر

#### نشر القطوع المستقيمة

- قم بضبط مصدر التوازي على عرض القطع المرغوب.
- ضع قطعة الشغل على قاعدة المنشار أمام غطاء الحماية (6).

الشغل، فقد يتشكل خطر الصدمات الارتدادية. احرص لهذا السبب دائماً على كون إسفين الشق مضبوطاً بالشكل الصحيح:

- لا يجوز أن تتخطى المسافة نصف القطرية بين شفرة المنشار وإسفين الشق 3 - 8 مم.
- يجب أن يكون ثخن إسفين الشق أصغر من عرض القص وأكبر من ثخن جذع نصل المنشار.
- يجب أن يكون إسفين الشق دائماً على خط مسار نصل المنشار.
- يجب أن يتركز إسفين الشق دائماً بأعلى وضعية ممكنة عند القيام بأعمال النشر الاعتيادية.

#### ضبط ارتفاع إسفين الشق (انظر الصورة F)

يجب أن تضبط ارتفاع إسفين الشق من أجل نشر الحزوز.

- ◀ لا تستخدم العدة الكهربائية لعمل الحزوز أو الطيات إلا مع تجهيزات الحماية الملائمة (مثل: غطاء نفق الوقاية، مشط القمط).

- افتح ذراع الزنق (39) وأخرج غطاء الحماية (6) من الحز بإسفين الشق (8).
- لحماية غطاء الوقاية من الأضرار ضعه في الحامل المحدد (34) على جسم الجهاز (انظر أيضاً الصورة O1).
- بشكل إضافي مع الطراز الخاص بالبلد 3 601 M30 5C2:

اضغط على الأزرار الانضغاطية (48) ممًا وقم بسحب قفل الصدمات الارتدادية (9) من التجويف الموجود بإسفين الشق (8).  
لتخزين قفل الصدمات الارتدادية بشكل آمن قم بتثبيتته في الحامل المقرر (74) على جسم الجهاز (انظر أيضاً الصورة O1).

- أدر ذراع التدوير (19) في اتجاه حركة عقارب الساعة حتى النهاية، بحيث تركز شفرة المنشار (27) بأعلى وضعية ممكنة فوق قاعدة المنشار.

- قم بمل ذراع الزنق (35).

الطراز الخاص بالبلد 3 601 M30 5C2 : قم بمل اللوالب سداسية الرأس المجوف (36) باستخدام مفتاح سداسي الرأس (22).

- اسحب إسفين الشق من السيقان (37) (اسحب ذراع الزنق (35) للخارج قليلاً) وحرك إسفين الشق (8) لأسفل حتى النهاية.

- ركب الساقين (37) في الفتحات العلوية بإسفين الشق، وأحكام ربط ذراع الزنق (35) مرة أخرى.

### التشغيل

- ◀ انتبه إلى جهد الشبكة الكهربائية! يجب أن يتطابق جهد منبع التيار مع البيانات المذكورة على لوحة صنع العدة الكهربائية.

#### التشغيل (انظر الصورة G1)

- اقلب غطاء الأمان القلاب (20) نحو الأعلى.
- اضغط على مفتاح التشغيل الأخضر لبدء التشغيل (59).
- دع غطاء الأمان (20) يسقط إلى أسفل مرة أخرى.

#### الإطفاء (انظر الصورة G2)

- اضغط على غطاء الأمان القلاب (20).

- الفحص (انظر الصورة J1)**
- قم بضبط مقياس الزاوية على 90° وضعه على قاعدة المنشار (7).
  - يجب أن يتراصف ساق مقياس الزاوية بكامل طوله مع شفرة المنشار (27).
- الضبط (انظر الصورة J2)**
- قم بحل اللولب (61). بذلك يمكن تحريك مصد زاوية 0° (62).
  - قم بفك ذراع التثبيت (17).
  - حرك الطارة اليدوية (18) نحو مصد زاوية 0° إلى أن تتساقط ساق المقياس الزاوي مع نصل المنشار على كامل طوله.
  - حافظ على إبقاء الطارة اليدوية بهذا الوضع وأحكام شد ذراع التثبيت (17) مرة أخرى.
  - أحكم ربط اللولب (61).
  - إن لم يكن مبين الزاوية (54) بعد الضبط على خط مسار واحد مع علامات 0° على التدرج (55)، قم بفك اللولب (63) باستخدام أحد مفكات البراغي متصالة الحز المتداولة في الأسواق و قم بمحاذاة خط المنتصف لمؤشر الزاوية على امتداد العلامة 0°.
  - كرر خطوات العمل الموصوفة أعلاه بالنسبة لزاوية الشطب العمودية 45° (حل اللولب (64)، وإزاحة مصد زاوية 45° (65)). لا يجوز تعديل ضبط مبين الزاوية (54) مرة أخرى في هذه الأثناء.
- توازي نصل المنشار بالنسبة للحزور الدليلية بالمضاد الزاوي (انظر الصورة K)**
- اضبط العدة الكهربائية بوضعية الشغل.
  - أخرج غطاء الحماية (6).
- الفحص**
- علم سن النشر اليساري الأول المرئي في الخلف فوق وليجة المنضدة بواسطة قلم رصاص.
  - اضبط مقياس زاوي ضابط على 90° وضعه على حافة الحز الدليلي (5).
  - قم بإزاحة ساق المقياس الزاوي الضابط إلى أن تلامس سن النشر التي تم تعليمها، وافرأ البعد بين نصل المنشار والحز الدليلي.
  - دور نصل المنشار إلى أن يبرز السن الذي تم تعليمه عن وليجة المنضدة من الأمام.
  - قم بإزاحة المقياس الزاوي الضابط على خط مسار الحز الدليلي إلى حد سن النشر الذي تم تعليمه.
  - قم بقياس البعد بين نصل المنشار والحز الدليلي مرة أخرى.
  - يجب أن يتطابق البعدان اللذان تم قياسهما.
- الضبط**
- قم بفك اللوالب سداسية الرأس (66) في الأمام أسفل قاعدة المنشار واللوالب سداسية الرأس (67) في الخلف أسفل قاعدة المنشار باستخدام المفتاح سداسي الرأس المجوف المورد (22).
  - حرك نصل المنشار بحذر إلى أن يتوازي مع الحز الدليلي (5).
  - أحكم ربط كافة اللوالب (66) و (67) مرة أخرى.
- ضبط مؤشر البعد بقاعدة المنشار (انظر الصورة L)**
- ركز مصد التوازي على يمين نصل المنشار.
  - حرك مصد التوازي، إلى أن تشير العلامة بالعدسة

- قم برفع شفرة المنشار أو خفضها عن طريق ذراع التدوير (19) إلى أن تصبح السنون العلوية لشفرة المنشار (27) فوق قطعة الشغل بمسافة 3 - 6 مم تقريبا.
- قم بتشغيل العدة الكهربائية.
- انشر قطعة الشغل بشكل كامل بدفع أمامي منتظم.
- في حالة الضغط بشكل زائد فقد تتعرض رؤوس شفرات المنشار للسخونة الزائدة، وتتعرض قطعة الشغل لأضرار.
- أطفئ العدة الكهربائية، وانتظر إلى أن تتوقف شفرة المنشار عن الحركة تماما.

### نشر زوايا الشطب المائلة العمودية

- اضبط زاوية الشطب المائلة الرأسية المرغوبة لشفرة المنشار.
- في حالة ميل شفرة المنشار إلى الجانب الأيسر يجب أن يكون مصد التوازي على يمين شفرة المنشار.
- اتبع خطوات العمل وفقا لما ورد في: (انظر „نشر القطوع المستقيمة“، الصفحة 133)

### نشر زاوية الشطب المائل الأفقية (انظر الصورة I)

- اضبط زاوية الشطب المائلة الأفقية المرغوبة بالمصد الزاوي (3).
- ضع قطعة الشغل على السكة المجسمة (29). يجب ألا يسمع بوجود القطاع في خط القطع. في هذه الحالة، قم بفك الصامولة المحززة (60) وحرك السكة المجسمة.
- قم برفع شفرة المنشار أو خفضها عن طريق ذراع التدوير (19) إلى أن تصبح السنون العلوية لشفرة المنشار (27) فوق قطعة الشغل بمسافة 3 - 6 مم تقريبا.
- قم بتشغيل العدة الكهربائية.
- قم بضغط قطعة الشغل بيد واحدة على السكة المجسمة (29) و قم بتحريك المصد الزاوي باستخدام اليد الأخرى من مقبض التثبيت (56) ببطء في الحز الدليلي (5) إلى الأمام.
- أطفئ العدة الكهربائية، وانتظر إلى أن تتوقف شفرة المنشار عن الحركة تماما.

### فحص الضبط الأساسي وضبطه

- ينبغي أن يتم فحص الضبط الأساسي بالعدة الكهربائية بعد الاستعمال المكثف وإعادة ضبطها عند الضرورة للمحافظة على دقة القص.
- إنك بحاجة إلى الخبرة وللعدد الخاصة الموافقة لتنفيذ ذلك.
- ينفذ مركز خدمة عملاء بوش هذا العمل بشكل سريع وموثوق به.

### ضبط المصادمين لزوايا الشطب العمودية المائلة النموذجية 45°/0°

- اضبط العدة الكهربائية بوضعية الشغل.
- اضبط زاوية شطب مائلة عمودية لنصل المنشار مقدارها 0°.
- أخرج غطاء الحماية (6).

يتساطع الجانب الخلفي مع قاعدة المنشار أو أن يركز فوقها بقليل.

#### الضبط

- قم بإزالة وليجة المنضدة (26).
- استخدم مفتاح الربط المسدس الجواف (22) لضبط المستوى الصحيح بلوالب الضبط الأربعة (71).

### التخزين والنقل

#### حفظ عناصر الجهاز (انظر الصور 01 - 05)

- توفر لك العدة الكهربائية إمكانية تثبيت عناصر معينة من الجهاز بشكل آمن.
- قم بفك مصد التوازي الإضافي (43) من مصد التوازي .
  - قم بإدخال جميع أجزاء الجهاز في مواضع الحفظ على جسم الجهاز (انظر الجدول التالي).

موضع الحفظ	عناصر الجهاز	الوصف
التثبيت في تجاويف الحامل (34) و قم بإحكام الربط باستخدام ذراع الزنق (39)	الغطاء الواقي (6)	01
اضغط على الأزرار الانضغاطية (48) معًا، ودعها تثبت في تجاويف الحامل (74)	قفل الصدمات الارتدادية (9) (الطرز الخاص بالبلد 3 601 M30 5C2 )	01
اشبكه في الحوامل (72)	طقم تثبيت «مصد التوازي الإضافي» (44)	02
ادفعه إلى داخل مشابك القبض (73)	مهايئ شفط (33)	02
تثبته في مخزن العدد بواسطة صامولة التثبيت (75)	المفتاح الملقى (23)	03
علقها فوق صامولة التثبيت وثبتها من خلال إزاحتها	عصا الدفع (24)	03
وعلقه في سلك التوجيه من الأسفل وشد مقبض الشد (41) بإحكام	مصد التوازي	04
ادفعه إلى داخل الحوامل (76)	مفتاح سداسي الرأس المجوف (22)	05
	مفتاح سداسي الرأس المجوف (21)	
ادفعه إلى داخل مشابك القبض (77)	المصد الزاوي (3)	05
ادفعه إلى داخل مشابك القبض (31) (الجانب القصير نحو الأعلى، الجانب الطويل نحو الخلف)	مصد توازي إضافي (43)	05

المكبرة (28) إلى التدرج السفلي 26 سم. للتثبيت اضغط مقبض الشد (41) نحو الأسفل مرة أخرى.

اجذب مقبض الشد (16) إلى أعلى تمامًا، واجذب امتداد قاعدة المنشار (14) إلى الخارج حتى المصد.

#### الفحص

يجب أن يشير مبین البعد (58) بالتدرج العلوي (2) إلى نفس القيمة التي تشير إليها العلامة بالعدسة المكبرة (28) على التدرج السفلي (2).

#### الضبط

- اجذب امتداد قاعدة المنشار (14) إلى الخارج حتى المصد.
- قم بحل اللولب (68) بواسطة مفك براغي متصالبة الحز و قم بتسوية مبین البعد (58) على مسار علامة 26 سم بالتدرج العلوي (2).

#### ضبط توازي مصد التوازي (انظر الصورة M)

- اضبط العدة الكهربائية بوضعية الشغل.
- أخرج غطاء الحماية (6).
- قم بفك مقبض الشد (41) الخاص بمصد التوازي وحركه إلى أن يلامس شفرة المنشار.

#### الفحص

يجب أن يلامس مصد التوازي شفرة المنشار بطولها الكامل.

#### الضبط

- قم بفك اللوالب سداسية الرأس (69) باستخدام المفتاح سداسي الرأس المجوف المورد (22).
- حرك مصد التوازي بمرص إلى أن يلامس شفرة المنشار بطولها الكامل.
- ثبت مصد التوازي في هذا الوضع واضغط مقبض الشد (41) مرة أخرى إلى أسفل.
- أحكم ربط اللوالب سداسية الرأس (69) مرة أخرى.

#### ضبط قوة شد مصد التوازي

- قد تتراجع قوة شد مصد التوازي بعد الاستعمال المتكرر.
- اربط لولب الضبط (25) إلى أن يستقر مصد التوازي بثبات مرة أخرى على قاعدة المنشار.

#### ضبط العدسة المكبرة بمصد التوازي (انظر الصورة M)

- اضبط العدة الكهربائية بوضعية الشغل.
- أخرج غطاء الحماية (6).
- قم بتحريك مصد التوازي من اليمين إلى أن يلامس شفرة المنشار.

#### الفحص

يجب أن تقع علامة العدسة المكبرة (28) على نفس خط مسار علامة 0-مم بالتدرج (2).

#### الضبط

- قم بحل اللولب (70) بواسطة مفك براغي متصالبة الحز و قم بتسوية العلامة على طول علامة 0 مم.

#### ضبط مستوى وليجة المنضدة (انظر الصورة N)

#### الفحص

أن يتساطع الجانب الأمامي لوليجة المنضدة (26) مع قاعدة المنشار أو أن يركز تحتها بقليل، ويجب أن

## التوابع

رقم الصنف	
2 610 015 511	كيس الغبار
2 610 015 509	مهايئ شفت
2 610 015 513	مهايئ TSVH 3 Y
2 610 015 507	المصد الزاوي
2 610 015 022	عصا الدفع
0 601 B22 001	طاولة عمل GTA 600
<b>شفرات المنشار للخشب والمواد الصفيحية والألواح والعوارض</b>	
2 608 640 901	شفرة المنشار 25,4 x 254 مم، سن 40
2 608 640 902	شفرة المنشار 25,4 x 254 مم، سن 60

## خدمة العملاء واستشارات الاستخدام

يجيب مركز خدمة العملاء على الأسئلة المتعلقة بإصلاح المنتج وصيانته، بالإضافة لقطع الغيار. تجد الرسوم التفصيلية والمعلومات الخاصة بقطع الغيار في الموقع: [www.bosch-pt.com](http://www.bosch-pt.com)  
يسر فريق Bosch لاستشارات الاستخدام مساعدتك إذا كان لديك أي استفسارات بخصوص منتجاتنا وملحقاتها.  
يلزم ذكر رقم الصنف ذو الفئات العشر وفقاً للوحة صنع المنتج عند إرسال أية استفسارات أو طلبيات قطع غيار.

## المغرب

Robert Bosch Morocco SARL  
53، شارع الملازم محمد محروود  
20300 الدار البيضاء  
الهاتف: 212 5 29 31 43 27  
البريد الإلكتروني: [sav.outillage@ma.bosch.com](mailto:sav.outillage@ma.bosch.com)

## تجد المزيد من عناوين الخدمة تحت:

[www.bosch-pt.com/serviceaddresses](http://www.bosch-pt.com/serviceaddresses)

## التخلص من العدة الكهربائية

ينبغي تسليم العدد الكهربائية والتوابع والعبوة إلى مركز معالجة النفايات بطريقة محافظة على البيئة. لا ترمم العدد الكهربائية ضمن النفايات المنزلية.



## حمل العدة الكهربائية

- يجب أن تطبق الخطوات التالية قبل نقل العدة الكهربائية:
  - ركز العدة الكهربائية في وضع النقل.
  - أبعد جميع قطع التوابع التي لا يمكن تثبيتها بالعدة الكهربائية بإحكام.
  - ضع شفرات المنشار التي لا يتم استعمالها في وعاء مغلق أثناء النقل إن أمكن.
  - حرك تعريض قاعدة المنشار (14) نحو الداخل بشكل كامل واضغط مقبض الشد (16) نحو الأسفل من أجل التثبيت.
  - قم بلف كابل الكهرباء حول حامل الكابل (30).
  - استخدم مقابض الحمل من أجل الحمل أو النقل (13).
- ◀ استخدم تجهيزات النقل دائماً عند نقل العدة الكهربائية ولا تستخدم أبداً تجهيزات الوقاية.

## الصيانة والخدمة

## الصيانة والتنظيف

- ◀ اسحب القابس من مقبس الشبكة الكهربائية قبل إجراء أي عمل على العدة الكهربائية.
- ◀ للعمل بشكل جيد وآمن حافظ دائماً على نظافة العدة الكهربائية وفتحات التهوية.

إذا تطلب الأمر استبدال خط الإمداد، فينبغي أن يتم ذلك من قبل شركة Bosch أو من قبل مركز خدمة الزبائن المعتمد لشركة Bosch للعدد الكهربائية، لتجنب التعرض للمخاطر.

## التنظيف

أزل الغبار والنشارة بعد كل خطوة عمل من خلال نفخها بالهواء المضغوط أو بواسطة فرشاة.

## تشحيم العدة الكهربائية

## مادة التشحيم:

زيت المحرك 20 SAE 10/SAE

- زيت العدة الكهربائية عند الضرورة بالمواضع المشار إليها (انظر الصورة).



(P)

ينفذ مركز خدمة زبائن وكالة بوش هذه الأعمال بشكل سريع وموثوق.

- ◀ تخلص من مواد التشحيم والتنظيف بطريقة محافظة على البيئة. تراعى التعليمات القانونية.

## إجراءات لتخفيض الضجيج

- إجراءات من طرف المنتج:
- البدء بإدارة هادئة
- التسليم مع نصل منشار تم تطويره بشكل خاص لتخفيض الضجيج
- إجراءات من طرف المستخدم:
- التركيب بطريقة قليلة الاهتزازات على سطح عمل ثابت
- استخدام نصال المنشار ذات الوظائف المخفضة للضجيج
- تنظيف نصل المنشار والعدة الكهربائية بشكل منتظم

مناسب برای محیط باز، خطر برق گرفتگی را کم می کنند.

◀ در صورت لزوم کار با ابزار برقی در محیط و اماکن مرطوب، باید از یک کلید حفاظتی جریان خطا و نشستی زمین (کلید قطع کننده اتصال با زمین) استفاده کنید. استفاده از کلید حفاظتی جریان خطا و نشستی زمین خطر برق گرفتگی را کاهش می دهد.

#### رعایت ایمنی اشخاص

◀ حواس خود را خوب جمع کنید، به کار خود دقت کنید و با فکر و هوشیاری کامل با ابزار برقی کار کنید. در صورت خستگی و یا در صورتی که مواد مخدر، الکل و دارو استفاده کرده‌اید، با ابزار برقی کار نکنید. یک لحظه بی توجهی هنگام کار با ابزار برقی، میتواند جراثم های شدیدی به همراه داشته باشد.

◀ از تجهیزات ایمنی شخصی استفاده کنید. همواره از عینک ایمنی استفاده نمایید. استفاده از تجهیزات ایمنی مانند ماسک ضد گرد و غبار، کفشهای ایمنی ضد لغزش، کلاه ایمنی و گوشی محافظ متناسب با نوع کار با ابزار برقی، خطر مجروح شدن را کاهش میدهد.

◀ مواظب باشید که ابزار برقی بطور ناخواسته بکار نیفتد. قبل از وارد کردن دوشاخه دستگاه در پریز برق، اتصال آن به باتری، برداشتن آن و یا حمل دستگاه، باید دقت کنید که ابزار برقی خاموش باشد. در صورتی که هنگام حمل دستگاه انگشت شما روی دکمه قطع و وصل باشد و یا دستگاه را در حالت روشن به برق بزنید، ممکن است سوانح کاری پیش آید.

◀ قبل از روشن کردن ابزار برقی، همه ابزارهای تنظیم کننده و آپارها را از روی دستگاه بردارید. ابزار و آپارهایی که روی بخش های چرخنده دستگاه قرار دارند، میتوانند باعث ایجاد جراثم شوند.

◀ وضعیت بدن شما باید در حالت عادی قرار داشته باشد. برای کار جای مطمئنی برای خود انتخاب کرده و تعادل خود را همواره حفظ کنید. به این ترتیب میتوانید ابزار برقی را در وضعیتهای غیر منتظره بهتر تحت کنترل داشته باشید.

◀ لباس مناسب بپوشید. از پوشیدن لباسهای گشاد و حمل زینت آلات خودداری کنید. موها و لباس خود را از بخشهای در حال چرخش دستگاه دور نگه دارید. لباسهای گشاد، موی بلند و زینت آلات ممکن است در قسمتهای در حال چرخش دستگاه گیر کنند.

◀ در صورتی که تجهیزاتی برای اتصال وسائل مکش گرد و غبار و یا وسیله جمع کننده گرد و غبار ارائه شده است، باید مطمئن شوید که این وسائل درست نصب و استفاده می شوند. استفاده از وسائل مکش گرد و غبار مصونیت شما را در برابر گرد و غبار زیاده تر میکند.

◀ آشنایی با ابزار به دلیل کار کردن زیاد با آن نباید باعث سهل انگاری شما و نادیده گرفتن اصول ایمنی شود. بی دقتی ممکن است باعث بروز جراحاتی در عرض کسری از ثانیه شود.

## فارسی

### دستورات ایمنی

#### نکات ایمنی عمومی برای ابزارهای برقی

##### ⚠ هشدار کلیه هشدارها، دستورالعملها، تصاویر و

مشخصات ارائه شده به همراه ابزار برقی را مطالعه کنید. اشتباهات ناشی از عدم رعایت این دستورات ایمنی ممکن است باعث برق گرفتگی، سوختگی و یا سایر جراثم های شدید شود.

##### کلیه هشدارهای ایمنی و راهنماییها را برای آینده خوب نگهداری کنید.

عبارت «ابزار برقی» در هشدارها به ابزارهایی که به پریز برق متصل میشوند (با سیم برق) و یا ابزارهای برقی باتری دار (بدون سیم برق) اشاره دارد.

#### ایمنی محل کار

◀ محیط کار را تمیز و روشن نگه دارید. محیطهای در هم ریخته یا تاریک احتمال بروز حادثه را افزایش میدهند.

◀ ابزار برقی را در محیطهایی که خطر انفجار وجود دارد و حاوی مایعات، گازها و بخارهای متحرکه هستند، به کار نگیرید. ابزارهای برقی چرخههایی ایجاد میکنند که میتوانند باعث آتش گرفتن گرد و غبارهای موجود در هوا شوند.

◀ هنگام کار با ابزار برقی، کودکان و سایر افراد را از دستگاه دور نگه دارید. در صورتیکه حواس شما پرت شود، ممکن است کنترل دستگاه از دست شما خارج شود.

#### ایمنی الکتریکی

◀ دوشاخه ابزار برقی باید با پریز برق تناسب داشته باشد. هیچگونه تغییری در دوشاخه ایجاد نکنید. مبدل دوشاخه نباید همراه با ابزار برقی دارای اتصال زمین استفاده شود. دوشاخههای اصل و تغییر داده نشده و پریزهای مناسب، خطر برق گرفتگی را کاهش میدهند.

◀ از تماس بدنی با قطعات متصل به سیم اتصال زمین مانند لوله، شوفاژ، اجاق برقی و یخچال خودداری کنید. در صورت تماس بدنی با سطوح و قطعات دارای اتصال به زمین و همچنین تماس شما با زمین، خطر برق گرفتگی افزایش می یابد.

◀ ابزارهای برقی را در معرض باران و رطوبت قرار ندهید. نفوذ آب به ابزار برقی، خطر شوک الکتریکی را افزایش میدهد.

◀ از سیم دستگاه برای مقاصد دیگر استفاده نکنید. هرگز برای حمل ابزار برقی، کشیدن آن یا خارج کردن دوشاخه از سیم دستگاه استفاده نکنید. کابل دستگاه را از حرارت، روغن، لیبهای تیز یا قطعات متحرک دور نگه دارید. کابلهای آسیب دیده و یا گره خورده خطر شوک الکتریکی را افزایش میدهند.

◀ هنگام استفاده از ابزار برقی در محیطهای باز، تنها از کابل رابطی استفاده کنید که برای محیط باز نیز مناسب باشد. کابل های رابط

- در مورد برشهای کاملی که تیغه اره کاملاً در قطر قطعه کار قرار دارد، حفاظ تیغه اره و سایر موارد حفاظتی، خطر بروز جراثیم را کاهش میدهند.
- ◀ **پس از پایان کار بلافاصله سیستم حفاظتی را وصل نمایید (مانند شیرازنی و فرزکاری یا برشهای ناشی از ارهکاری) که نیازمند برداشتن حفاظ، گوه و/یا دستگاه ضد پس زنی است.** حفاظ، گوه و دستگاه ضد پس زنی خطر بروز جراثیم را کاهش میدهند.
  - ◀ **قبل از روشن کردن ابزار برقی مطمئن شوید که تیغه اره با گوه، حفاظ تیغه یا قطعه اره، تماسی نداشته باشد.** تماس اشتباهی با این قسمتها ممکن است منجر به بروز وضعیت خطرناکی گردد.
  - ◀ **گوه را مطابق دستورالعملهای این دفترچه راهنما تنظیم کنید.** فاصله اشتباه، نحوه قرارگیری نادرست و عدم هم محوری گوه، میتواند کارایی آن را در جلوگیری از پس زدن دستگاه بی اثر کند.
  - ◀ **برای اینکه گوه و دستگاه ضد پس زنی کار کنند، باید روی قطعه کار قرار گیرند.** اگر قطعه کار به اندازه ای کوتاه باشد که با گوه و دستگاه ضد پس زنی تماس نیابد، این دو هنگام برش تأثیری نخواهند داشت. در این شرایط، گوه نمیتواند مانع پس زدن دستگاه شود.
  - ◀ **از تیغه اره متناسب با گوه استفاده کنید.** جهت کارایی مؤثر گوه، بایستی تیغه اره با گوه مربوط متناسب باشد، پایه تیغه اره بایستی نازک تر از گوه و عرض دندان بیشتر از قطر گوه باشد.
- دستورات ایمنی برای نحوه اره کاری**
- ◀ **هرگز با انگشت ها و یا دستان خود نزدیک تیغه اره یا محدوده اره کاری نشوید.** یک لحظه غفلت یا سر خوردن می تواند دست شما را به طرف تیغه اره براند و منجر به بروز جراثیم جدی شود.
  - ◀ **قطعه کار را در خلاف جهت چرخش تیغه اره یا ابزار برش حرکت دهید.** راندن قطعه کار در جهت چرخش تیغه اره بالای میز، می تواند منجر به کشیده شدن قطعه کار و دست شما به طرف تیغه اره شود.
  - ◀ **در مورد برشهای طولی با زاویه برش فارسی هرگز از ریل نگهدارنده جهت راندن قطعه کار استفاده نکنید و در مورد برشهای مورب به کمک ریل نگهدارنده زاویه برش فارسی هرگز از ریل نگهدارنده موازی برای تنظیم طول استفاده نکنید.** راندن همزمان ریل نگهدارنده موازی و ریل نگهدارنده زاویه برش فارسی ممکن است احتمال گیر کردن تیغه اره و پس زدن دستگاه را افزایش دهد.
  - ◀ **در مورد برشهای طولی با زاویه برش فارسی، فشار را روی قطعه کار در قسمت بین ریل نگهدارنده و تیغه اره وارد کنید.** اگر فاصله تیغه اره و ریل نگهدارنده کمتر از 150 میلیمتر است از یک قطعه چوب و اگر کمتر از 50 میلیمتر است از یک جسم بزرگتر جهت راندن استفاده کنید. وسایل کمکی کار باعث رعایت

- استفاده صحیح از ابزار برقی و مراقبت از آن**
- ◀ **از وارد کردن فشار زیاد روی دستگاه خودداری کنید.** برای هر کاری، از ابزار برقی مناسب با آن استفاده کنید. بکار گرفتن ابزار برقی مناسب باعث میشود که بتوانید از توان دستگاه بهتر و با اطمینان بیشتر استفاده کنید.
  - ◀ **در صورت ایراد در کلید قطع و وصل ابزار برقی، از دستگاه استفاده نکنید.** ابزار برقی که نمی توان آنها را قطع و وصل کرد، خطرناک بوده و باید تعمیر شوند.
  - ◀ **قبل از تنظیم ابزار برقی، تعویض متعلقات و یا کنار گذاشتن آن، دوشاخه را از برق بکشید و یا باتری آنرا خارج کنید.** رعایت این اقدامات پیشگیری ایمنی از راه افتادن ناخواسته ابزار برقی جلوگیری می کند.
  - ◀ **ابزار برقی را در صورت عدم استفاده، از دسترس کودکان دور نگه دارید و اجازه ندهید که افراد ناوارد و یا اشخاصی که این دفترچه راهنما را نخواندهاند، با این دستگاه کار کنند.** قرار گرفتن ابزار برقی در دست افراد ناوارد و بی تجربه خطرناک است.
  - ◀ **از ابزار برقی و متعلقات خوب مراقبت کنید.** مواظب باشید که قسمت های متحرک دستگاه خوب کار کرده و گیر نکنند. همچنین دقت کنید که قطعات ابزار برقی شکسته و یا آسیب دیده نباشند. قطعات آسیب دیده را قبل از شروع به کار تعمیر کنید. علت بسیاری از سوانح کاری، عدم مراقبت کامل از ابزارهای برقی می باشد.
  - ◀ **ابزار برش را تیز و تمیز نگه دارید.** ابزار برشی که خوب مراقبت شده و از لبه های تیز برخوردار است، کمتر در قطعه کار گیر کرده و بهتر قابل هدایت است.
  - ◀ **ابزار برقی، متعلقات، متهای دستگاه و غیره را مطابق دستورات این جزوه راهنما به کار گیرید و به شرایط کاری و نوع کار نیز توجه داشته باشید.** استفاده از ابزار برقی برای عملیاتی به جز مقاصد در نظر گرفته شده، میتواند به بروز شرایط خطرناک منجر شود.
  - ◀ **دستها و سطوح عایق را همواره خشک، تمیز و عاری از روغن و گریس نگه دارید.** دسته های لغزنده مانع ایمنی و کنترل در کار در شرایط غیر منتظره هستند.
- سرویس**
- ◀ **برای تعمیر ابزار برقی فقط به متخصصین حرفهای رجوع کنید و از قطعات یدکی اصل استفاده نمایید.** این باعث خواهد شد که ایمنی دستگاه شما تضمین گردد.
- دستورات ایمنی برای ارههای میزی گردرُبر**
- ◀ **دستورات ایمنی مربوط به حفاظها**
  - ◀ **حفاظها را بردارید.** حفاظها بایستی خوب نصب شوند و در وضعیت کارایی صحیحی باشند. حفاظهای شل، آسیب دیده یا بدون کارایی بایستی تعمیر یا تعویض شوند.
  - ◀ **همواره برای انجام برش کامل از حفاظ تیغه اره، گوه و دستگاه ضد پسزنی استفاده کنید.**



- فاصله ایمنی دست شما نسبت به تیغه ااره می شود.
- ◀ **تنها از قطعه کمکی ارسالی شرکت یا قطعه کمکی متناسب جهت راندن قطع کار استفاده کنید.** این قطعه کمکی فاصله بین دست شما و تیغه ااره را تضمین می کند.
- ◀ **هرگز از قطعه کمکی آسیب دیده یا ااره شده جهت راندن قطعات کار استفاده نکنید.** قطعه کمکی آسیب دیده ممکن است بشکند و منجر به هدایت دست شما به طرف تیغه ااره گردد.
- ◀ **هرگز با دست آزاد کار نکنید.** همیشه از ریل نگهدارنده موازی یا ریل نگهدارنده زاویه برش فارسی جهت گذاشتن یا راندن قطعه کار استفاده کنید. دست آزاد یعنی قرار دادن و راندن قطعه کار با دست به جای استفاده از ریل نگهدارنده موازی یا ریل نگهدارنده زاویه برش فارسی. کار با دست آزاد باعث بروز خطا در هدایت متعادل، گیر کردن یا پس زدن دستگاه می شود.
- ◀ **هرگز بالا یا دور تیغه ااره در حال چرخش را نگیرید.** دست زدن به قطعه کار موجب تماس ناخواسته با تیغه ااره در حال چرخش می شود.
- ◀ **قطعه کارهای دراز یا پهن را در انتها با یک تکیه گاه تثبیت کنید تا به حالت افقی باقی بمانند.** قطعه کارهای دراز و پهن در لبه میز کار آویزان می شوند، این باعث از دست دادن کنترل، گیر کردن یا پس زدن دستگاه می شود.
- ◀ **قطعه کار را به صورت یکنواخت برانید.** قطعه کار را خم نکنید یا نچرخانید. چنانچه ابزار گیر کرد، آن را فوراً خاموش کنید، دوشاخه را بیرون بکشید و علت گیر را رفع کنید. گیر کردن تیغه ااره در قطعه کار باعث پس زدن دستگاه یا بلوکه شدن موتور می شود.
- ◀ **قطعه ااره شده را در حین کار موتور برنارید.** قطعه ااره شده ممکن است بین تیغه ااره و ریل نگهدارنده یا در حفاظ گیر کند و هنگام برداشتن، انگشتان شما را به طرف تیغه ااره بکشاند. ابزار را خاموش کنید و قبل از اینکه قطعه کار را بردارید، صبر کنید تا تیغه ااره به طور کامل بایستد.
- ◀ **جهت انجام برش طولی در قطعه کارهای دارای کمتر از قطر 2 میلیمتر از یک ریل نگهدارنده اضافی که با سطح میز تماس دارد، استفاده کنید.** قطعه کارهای نازک تر ممکن است زیر ریل نگهدارنده موازی گیر کنند و باعث پس زدن دستگاه شوند.
- پس زدن دستگاه و هشدارهای ایمنی**  
ضربه زدن یا پس زدن یک واکنش ناگهانی است که در نتیجه گیر کردن و یا بلوکه شدن تیغه ااره یا انجام برش با تیغه ااره که در قطعه کار، یا قرار گرفتن قسمتی از قطعه کار بین تیغه ااره یا ریل نگهدارنده موازی یا جسم دیگر بلوکه شده رخ می دهد.
- هنگام پس زدن در بیشتر موارد، قطعه کار از قسمت عقبی تیغه ااره گرفته می شود، از میز بلند و به طرف کاربر پرتاب می شود.
- پس زدن نتیجه استفاده نادرست از تیغه ااره و/یا روشها یا شرایط کاری غیر صحیح است و با رعایت
- اقدامات ایمنی مناسب به شرح زیر میتوان از آن جلوگیری بعمل آورد.
- ◀ **هرگز در یک خط مستقیم با تیغه ااره نایستید.** همیشه در کنار ابزار بایستید، جایی که ریل نگهدارنده هم قرار دارد. هنگام پس زدن، اجسام ممکن است با سرعت زیاد به طرف کاربر پرتاب شوند که در خط مستقیم با تیغه ااره ایستاده اند.
- ◀ **هرگز از بالا یا عقب تیغه ااره، قطعه کار را نکشید یا به آن تکیه نکنید.** ممکن است تماس ناخواسته با تیغه ااره برقرار شود یا پس زدن دستگاه منجر به کشیده شدن انگشتان شما به طرف تیغه ااره گردد.
- ◀ **قطعه کار در حال ااره شدن را هرگز در مقابل تیغه ااره چرخان نهد یا نپوشاید.** فشردن قطعه کار در حال ااره شدن به طرف تیغه ااره منجر به گیر کردن و پس زدن دستگاه می شود.
- ◀ **ریل نگهدارنده را به صورت موازی نسبت به تیغه ااره بگیرید.** ریل نگهدارنده درست تنظیم نشده، قطعه کار را به طرف تیغه ااره فشار می دهد و باعث پس زدن دستگاه می شود.
- ◀ **در مورد برشهای بدون دید کافی (مانند شیار زنی، فریزکاری یا ااره کاری) از یک شانه فشار جهت راندن قطعه کار به طرف میز و ریل نگهدارنده استفاده کنید.** توسط یک شانه فشار می توانید قطعه کار را در حین پس زدن بهتر کنترل کنید.
- ◀ **سطوح و قطعات بزرگ را خوب مهار کنید تا خطر پس زدن و یا گیر کردن تیغه ااره کاهش یابد.** قطعات پهن و بزرگ ممکن است تحت تأثیر وزن خود خم شوند. این قطعات پهن بایستی هر جا که از سر میز بیرون زده اند مجهز به تکیه گاه شوند.
- ◀ **هنگام ااره کردن قطعاتی که چرخیده اند، گره خورده اند، کج شده اند یا بدون لبه صاف می باشند که بتوان آنها را از آن لبه به کمک نگهدارنده زاویه برش فارسی یا در امتداد ریل نگهدارنده حرکت داد، بسیار احتیاط کنید.** قطعات کج شده یا گره خورده دارای ثبات نیستند و منجر به بروز خطا در انجام برش صاف با تیغه ااره، پس زدن یا گیر کردن می شوند.
- ◀ **هرگز چند قطعه کار پشت سر هم قرار داده شده را ااره نکنید.** تیغه ااره ممکن است یک یا چند قطعه را بگیرد و باعث پس زدن شود.
- ◀ **هنگام روشن کردن مجدد ااره در داخل قطعه کار، تیغه ااره را در وسط شکاف برش قرار دهید، به طوری که دندانهای تیغه ااره در قطعه کار درگیر نشود.** در صورت گیر کردن تیغه ااره، ممکن است هنگام روشن کردن مجدد دستگاه، قطعه کار بیرون بیاید یا دستگاه پس بزند.
- ◀ **تیغه ااره ها را تمیز، تیز نگهدارید و به چپ راست بودن دندانه توجه کنید.** هرگز از تیغه ااره های کج شده، شکسته یا ترک دار استفاده نکنید. تیغه ااره های تیز و دارای دندانه های چپ راست، خطر بلوکه شدن و پس زدن را کاهش می دهند.

- ◀ فقط از تیغه های اره ای استفاده کنید که دارای مشخصات و ارقام فنی مندرج در این دفترچه راهنما باشند و طبق استاندارد EN 847-1 کنترل و آزمایش شده و مطابق آن علامتگذاری شده باشند.
- ◀ هرگز برقی را بدون میز مونتاز بکار نبرید. میز مونتاز آسیب دیده را تعویض کنید. بدون میز مونتاز کاملاً سالم و بدون ایراد، ممکن است تیغه اره به شما آسیب برساند.
- ◀ محل کار را تمیز نگهدارید. ترکیبات مواد بسیار خطرناک هستند. گرد فلز سبک ممکن است آتش بگیرد یا منفجر شود.
- ◀ تیغه اره ای مناسب با قطعه انتخاب کنید.
- ◀ فقط از تیغه های اره ای استفاده کنید که توسط سازنده این ابزار برقی توصیه شده است و همچنین برای جنس قطعه کار مورد نظر مناسب باشد.
- ◀ قطعهکار را فقط به طرف اره در حال کار برانید. در غیر اینصورت خطر پس زدن وجود دارد، چنانچه تیغه اره در قطعه کار گیر کند.

## علائم

علائم و نماد های زیر و معانی آنها میتوانند برای کار و استفاده از ابزار برقی شما پر اهمیت باشند. لطفاً این علائم و مفهوم آنها را خوب بخاطر بسپارید. تفسیر صحیح این علائم به شما کمک میکند که ابزار برقی را بهتر و مطمئن تر مورد استفاده قرار بدهید.

### علائم و مفهوم آنها

هنگامی که ابزار برقی در حال کار است، دست های خود را در محدوده اره قرار ندهید. در صورت تماس با تیغه اره، خطر جراحت وجود دارد.



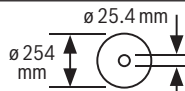
از ماسک محافظ در برابر گرد و غبار استفاده کنید.



از گوشی ایمنی استفاده کنید. صدای بلند ممکن است به شنوایی شما آسیب برساند.



از عینک ایمنی استفاده کنید.



به ابعاد تیغه اره توجه داشته باشید. قطر سوراخ باید بدون لقی با محور ابزار منطبق باشد. چنانچه به قطعات تبدیل نیاز است، دقت کنید که ابعاد قطعه

- دستورات ایمنی برای کار با اره های میزی گردبر هنگام جدا کردن ابزار از میز، تعویض تیغه اره، انجام تنظیمات روی گوه، دستگاه ضد پس زنی یا حفاظ تیغه اره و بدون نظارت رها کردن دستگاه، دستگاه را خاموش کنید و دوشاخه را از پریز برق بکشید. اقدامات ایمنی برای جلوگیری از بروز سوانح می باشند.
- ◀ هرگز دستگاه را بدون نظارت روشن نگذارید. دستگاه را خاموش کنید و قبل از ایست کامل از دستگاه دور نشوید. دستگاه روشن یک خطر غیر قابل کنترل است.

- ◀ اره میزی گردبر را در جایی قرار دهید که دارای نور کافی است و شما می توانید مطمئن بایستید و تعادل داشته باشید. محل قرارگیری بایستی جادار باشد تا بتوان با قطعات بزرگ هم راحت کار کرد. بی نظمی، کمبود نور در موطه کار، سطوح ناصاف و لغزنده، ممکن است منجر به بروز حادثه شوند.
- ◀ تراشه ها و خاک اره را از زیر میز اره یا سیستم مکش به طور منظم جمع کنید. خاک اره جمع شده قابل اشتعال است و ممکن است خود به خود آتش بگیرد.

- ◀ اره میزی گردبر را تثبیت کنید. اره میزی گردبری که مطابق دستورالعمل تثبیت نشده باشد ممکن است تکان بخورد یا واژگون شود.

- ◀ قبل از روشن کردن دستگاه، ابزار آلات تنظیم، بقایای چوب و غیره را از روی اره میزی گردبر بردارید. حواس پرتی یا گیر کردن در دستگاه ممکن است خطرافرین باشند.

- ◀ همواره از تیغه های دارای اندازه و سوراخ نگهدارنده مناسب (مثلاً شکل گرد یا لوزی) استفاده کنید. تیغه ارههایی که با قطعههایی قابل مونتاز اره متناسب نباشند، به صورت غیر مدور حرکت میکنند و باعث از دست دادن کنترل میشوند.

- ◀ هرگز از ابزارهای مونتاز تیغه اره آسیب دیده یا اشتباهی مانند فلاشر، واشر تیغه اره، پیچ یا مهره استفاده نکنید. این ابزارهای مونتاز تیغه اره، مخصوص اره شما برای کار امن و بازدهی بالا طراحی شده اند.

- ◀ هرگز روی دستگاه نایستید یا از آن به عنوان چهارپایه استفاده نکنید. امکان بروز جراحات جدی وجود دارد، اگر دستگاه واژگون شود یا ناخواسته با تیغه اره تماس برقرار گردد.

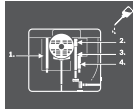
- ◀ از نصب بودن تیغه اره در جهت چرخش صحیح مطمئن شوید. از کاغذ سنباده یا برس های سیمی همراه با اره میزی گردبر استفاده نکنید. عدم نصب تیغه اره مطابق دستورالعمل یا کاربرد متعلقات توصیه نشده ممکن است باعث بروز جراحات جدی گردد.

## سایر راهنماییهای ایمنی

- ◀ به هنگام مونتاز تیغه اره از دستکش ایمنی استفاده کنید. خطر جراحت وجود دارد.
- ◀ از تیغه اره های فولادی HSS استفاده نکنید. اینگونه تیغه های اره ممکن است سریع بشکنند.

### علایم و مفهوم آنها

در صورت نیاز ابزار برقی را در قسمت های نشان داده شده روغن کاری کنید.



ابزارهای برقی کلاس حفاظتی II تقویت شده اند و دو برابر عایق می باشند.



تولید کننده توسط علامت CE مطابقت ابزار برقی را با مقررات معتبر اروپا تایید می کند.



### توضیحات محصول و عملکرد

**همه دستورات ایمنی و راهنما آنها را بخوانید.** اشتباهات ناشی از عدم رعایت این دستورات ایمنی ممکن است باعث برقگرفتگی، سوختگی و یا سایر جراحات های شدید شود.



به تصویرهای واقع در بخشهای اول دفترچه راهنما توجه کنید.

### موارد استفاده از دستگاه

این ابزار برقی بعنوان یک دستگاه ثابت، برای انجام برشهای طولی و مورب با مسیر برش مستقیم، در چوب سخت و نرم و همچنین نئوپان و تخته های چندلایه در نظر گرفته شده است. در این حین زاویه مورب افقی از  $-2^{\circ}$  تا  $+60^{\circ}$  و نیز زاویه مورب عمودی از  $-2^{\circ}$  تا  $+47^{\circ}$  ممکن می باشند.

در صورت استفاده از تیغه اره های مناسب، برش پروفیلهای آلومینیوم و پلاستیک امکان پذیر است.

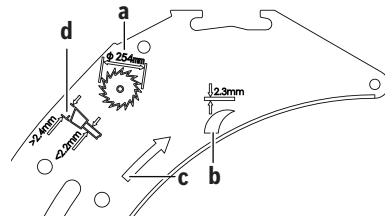
### تصاویر اجزاء دستگاه

شماره های اجزاء دستگاه که در تصویر مشاهده میشود، مربوط به شرح ابزار برقی می باشد که تصویر آن در این دفترچه آمده است.

- (1) شیار راهنما برای خط کش راهنمای موازی
- (2) درجه بندی برای فاصله تیغه اره تا خط کش راهنمای موازی
- (3) نقاله
- (4) ممل تورفتگی جای دست
- (5) شیار راهنما برای نقاله
- (6) پوشش محافظ
- (7) میز اره
- (8) محافظ تیغه
- (9) قفل پس زدن<sup>a</sup>
- (10) خط کش راهنمای موازی
- (11) شیار راهنمای V شکل روی میز اره برای خط کش راهنمای موازی
- (12) سوراخ های نصب
- (13) دسته حمل و نقل
- (14) کشویی بسط میز اره
- (15) پشت بند برای میز کار GTA 600

### علایم و مفهوم آنها

تبدیل با ضخامت تیغه اره و قطر سوراخ تیغه اره و همچنین قطر محور ابزار منطبق باشند. تا جای ممکن از قطعات تبدیل ارسال شده همراه با تیغه اره استفاده کنید.  
قطر تیغه اره باید با مقدار ذکر شده روی علامت منطبق باشد.

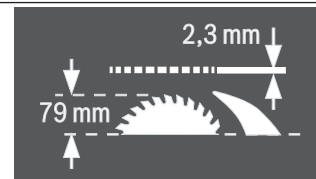


**a** قطر تیغه اره نباید از 254 mm تجاوز کند.

**b** ضخامت محافظ تیغه 2,3 mm است.

**c** جهت برش دندانه ها (جهت فلش روی تیغه اره) باید با جهت فلش روی محافظ تیغه مطابقت داشته باشد.

**d** هنگام تعویض تیغه اره دقت کنید که عرض برش کمتر از 2,4 mm و ضخامت پایه تیغه اره بیشتر از 2,2 mm نباشد. در غیر این صورت خطر گیر کردن محافظ تیغه در قطعه کار وجود دارد.



ضخامت محافظ تیغه 2,3 mm است.

حداکثر ارتفاع ممکن قطعه کار برابر است با 79 mm.



### طرف چپ:

جهت چرخش میله چرخک دستی به پایین (حالت حمل و نقل) و به بالا (حالت کار) تیغه اره را نشان می دهد.

### طرف راست:

وضعیت اهرم قفل کننده را برای تثبیت تیغه اره و تنظیم زاویه مورب عمودی (تیغه اره قابل چرخش) نشان می دهد.

- (16) اهرم مهار برای میز کشویی برای کشویی بسط میز اره
- (17) اهرم قفل برای تنظیم زاویه مورب عمودی
- (18) چرخک دستی
- (19) میله چرخک دستی برای بالا و پایین آوردن تیغه اره
- (20) درپوش ایمنی کلید روشن/خاموش
- (21) آچار آلن (2 mm)
- (22) آچار آلن (5 mm)
- (23) آچار رینگی (23 mm)
- (24) پیشران قطعه کار
- (25) پیچ تنظیم برای کشیدگی خط کش راهنمای موازی
- (26) واحد میز
- (27) تیغه اره
- (28) عدسی
- (29) ریل پروفیلی
- (30) نگه دارنده کابل
- (31) گیره نگه دارنده برای نگه داری کمکی خط کش راهنمای موازی
- (32) خروجی تراشه
- (33) آداپتور مکش
- (34) گیره جهت نگه داری پوشش محافظ
- (35) اهرم نگه دارنده محافظ تیغه
- (36) پیچ های آلن محافظ تیغه<sup>a</sup>
- (37) پین های تعیین موقعیت برای محافظ تیغه
- (38) شیارهای واحد میز
- (39) اهرم نگه دارنده پوشش محافظ
- (40) پین راهنمای پوشش محافظ
- (41) اهرم مهار خط کش راهنمای موازی
- (42) راهنمای V شکل خط کش راهنمای موازی
- (43) خط کش راهنمای موازی اضافی
- (44) مجموعه اتصال "خط کش راهنمای موازی اضافی"
- (45) ریل راهنما برای "نقاله"
- (46) مجموعه اتصال "ریل پروفیلی"
- (47) پیچ های اتصال برای خروجی تراشه
- (48) دکمه فشاری برای عقب زدن پین راهنمای قفل پس زدن<sup>a</sup>
- (49) مهره مهار
- (50) اهرم قفل محور
- (51) فلنج مهار
- (52) محور ابزار
- (53) فلنج گیرنده
- (54) نمایشگر زاویه (عمودی)
- (55) درجه بندی برای زاویه مورب (عمودی)
- (56) پیچ تثبیت برای زاویه مورب دلخواه (افقی)
- (57) نمایشگر زاویه روی نقاله
- (58) نشانگر فاصله میز اره
- (59) کلید روشن کردن
- (60) مهره آج دار برای ریل پروفیلی
- (61) پیچ چهارسو برای تنظیم نگه دارنده 0°
- (62) نگه دارنده برای زاویه مورب 0° (عمودی)
- (63) پیچ نمایشگر زاویه (عمودی)
- (64) پیچ چهارسو برای تنظیم نگه دارنده 45°
- (65) نگه دارنده برای زاویه مورب 45° (عمودی)
- (66) پیچ های آلن (5 mm) جلو برای تنظیم موازی بودن تیغه اره
- (67) پیچ های آلن (5 mm) عقب برای تنظیم موازی بودن تیغه اره
- (68) پیچ نشانگر فاصله میز اره
- (69) پیچ های آلن (5 mm) جهت تنظیم موازی بودن خط کش راهنمای موازی
- (70) پیچ نشانگر فاصله خط کش راهنمای موازی
- (71) پیچ های تنظیم برای واحد میز
- (72) گیره برای نگه داری مجموعه اتصال "خط کش راهنمای موازی اضافی"
- (73) گیره نگه دارنده برای نگه داری آداپتور مکش
- (74) گیره برای نگه داری قفل پس زدن<sup>a</sup>
- (75) مهره اتصال برای آچار رینگی و آویزان کردن پیشران قطعه کار
- (76) گیره برای نگه داری آچار آلن
- (77) گیره نگه دارنده برای نگه داری نقاله
- (a) مدل کشورها 3 601 M30 5C2

### مشخصات فنی

GTS 10 J		GTS 10 J		آره گرد رومیزی
3 601 M30 5C2		3 601 M30 5..		شماره فنی
1'700		1'800	W	توان ورودی نامی
120		220-240	V	ولتاژ نامی
60		50/60	Hz	فرکانس
3'700		3'650	<sup>-1</sup> min	سرعت در حالت آزاد
●		●		محدودیت جریان برق راه اندازی

GTS 10 J		GTS 10 J		اره گرد رومیزی	
26,2	26,2	kg		وزن مطابق استاندارد EPTA-Procedure 01:2014	
II/□	II/□			کلاس ایمنی	
ابعاد (با احتساب اجزاء جداشدنی دستگاه)					
640 x 706 x 330	640 x 706 x 330	mm		عرض × عمق × ارتفاع	
<b>ابعاد تیغه های اره مناسب</b>					
254	254	mm		قطر تیغه اره	
2,2 >	2,2 >	mm		ضخامت تیغه اره	
2,4 <	2,4 <	mm		حداقل ضخامت/شیب دندانه	
25,4	25,4	mm		قطر سوراخ	

آسیب دیدگی قطعات را باید از لحاظ عملکرد بدون ایراد و مطابق با دستورات مقرر برای کاربرد ابزار برقی به دقت بررسی کنید. کنترل کنید که آیا قطعات متحرک بدون عیب و نقص هستند و گیر نمی کنند و قطعات آسیب دیده نیستند. همه قطعات باید به درستی مونتاژ شده و دارای شرایط لازم باشند، تا تضمینی برای عملکرد صحیح و بدون ایراد دستگاه وجود داشته باشد.

### نصب اجزاء تکی

- با احتیاط بسته بندی ها را از دستگاه برقی و قطعات متعلقه و ملحقات ارسالی جدا کنید.
- همه بسته بندی ها را از دستگاه برقی و قطعات متعلقه و ملحقات ارسالی جدا کنید.
- دقت کنید که بسته بندی را از بخش موتور جدا کنید.
- مستقیم روی بدنه، این اجزاء قرار دارند: میله نگهدارنده (24)، آچار رینگ (23) آچار آلن (22) و (21)، خطکش راهنمای موازی (10)، نقاله (3)، آداپتور مکش (33) [کمکی خطکش راهنمای موازی (43) با بسته اتصال (44)، روکش محافظ (6).
- به محض نیاز به یکی از این اجزاء، آن را با احتیاط از بخش نگهدارنده بردارید.

### تنظیم موقعیت محافظ تیغه (رجوع کنید به تصاویر a1-a2)

- نکته:** در صورت لزوم پیش از تنظیم موقعیت تمام قطعات نصب، آنها را تمیز کنید.
- میله چرخک دستی (19) را در جهت حرکت عقربه های ساعت تا انتها طوری بچرخانید که تیغه اره (27) در بالاترین موقعیت ممکن روی میز اره قرار گیرد.
  - اهرم نگه دارنده (35) را آزاد کنید. یا
  - مدل کشورها 3 601 M30 5C2 : پیچ های آلن (36) را با آچار آلن (22) شل کنید.
  - محافظ تیغه (8) را به طرف اهرم نگه دارنده (35) برانید تا خود به طرف بالا کشیده شود.
  - محافظ تیغه را کاملاً به طرف بالا بکشید تا دقیقاً روی وسط تیغه اره قرار گیرد.
  - هر دو پین (37) را در سوراخ های پایینی روی محافظ تیغه جا بیندازید و اهرم نگه دارنده (35) را

بیشینه اندازه های قطعه کار (رجوع کنید به «بیشینه اندازه های قطعه کار»، صفحه 148)

مقادیر برای ولتاژ نامی [U] 230 ولت میباشند. برای ولتاژهای مختلف و تولیدات مخصوص کشورها، ممکن است این مقادیر، متفاوت باشند.

### نصب

- ◀ از روشن شدن ناخواسته ابزار برقی جلوگیری بعمل آورید. به هنگام مونتاژ قطعات و در حین انجام هر گونه کاری روی ابزار برقی، دوشاخه اتصال دهنده دستگاه به برق، نباید به جریان برق متصل باشد.

### محتویات ارسالی

- پیش از اینکه این ابزار برقی را برای اولین بار مورد استفاده قرار دهید، کنترل کنید که آیا قطعات مندرج زیر بطور کامل ارسال شده اند:
- اره گرد رومیزی با تیغه اره نصب شده (27) و محافظ تیغه (8)
  - نقاله (3)
  - ریل پروفیلی (29)
  - مجموعه اتصال "ریل پروفیلی" (46) (ورق راهنما، مهره آج دار، پیچ، واشر)
  - خط کش راهنمای موازی
  - خط کش راهنمای موازی اضافی (43)
  - مجموعه اتصال "خط کش راهنمای موازی اضافی" (44) (3 عدد پیچ اتصال، 3 عدد واشر، 3 عدد مهره خروسکی)
  - پوشش محافظ (6)
  - قفل پس زدن (9) (مدل کشورها 3 601 M30 5C2)
  - آچار آلن (22)
  - آچار آلن (21)
  - آچار رینگ (23)
  - پیشران قطعه کار (24)
  - واحد میز (26)
  - آداپتور مکش (33)
- نکته:** ابزار برقی را از نظر هر گونه آسیب دیدگی احتمالی کنترل کنید. قبل از ادامه کار با ابزار برقی، کلیه تجهیزات ایمنی را از نظر قابلیت کامل انجام کار کنترل کنید. هر گونه

محکم کنید یا پیچ های آلن (36) را دوباره محکم کنید.

#### نحوه نصب صفحه زیر کار (رجوع کنید به تصویر b)

- صفحه زیر کار (26) را به شیارهای پشتی (38) جعبه ابزار آویزان کنید.
- صفحه زیر کار را به پایین برانید.
- روی صفحه زیر کار فشار وارد کنید تا در جعبه ابزار جا بیفتد.
- بخش جلویی صفحه زیر کار (26) باید همسطح یا کمی پایین تر از میز اره باشد، قسمت عقب باید همسطح یا کمی بالاتر میز اره باشد.

#### نصب روکش محافظ (رجوع کنید به تصاویر c1-c2)

- نکته:** روکش محافظ را تنها وقتی نصب کنید که گوه در بالاتری حالت دقیقاً روی مرکز تیغه اره قرار گرفته باشد (رجوع کنید به تصویر a2). روکش محافظ را در صورت قرار گرفتن گوه در پایین ترین حالت ممکن نصب نکنید (حالت ارسالی یا حالت شیار انداختن) (رجوع کنید به تصویر a1).
- اهرم (39) را باز کنید و روکش محافظ (6) را از گیره نگهدارنده (34) بیرون بکشید.
- محافظ تیغه اره (ریل فلزی بالایی) روکش محافظ (6) را با یک دست و با دست دیگر، اهرم (39) را به طرف بالا نگهدارید.
- پین های راهنما (40) را به عقب در شیار گوه (8) برانید.
- روکش محافظ (6) را به پایین برانید تا محافظ تیغه اره (ریل فلزی بالایی) موازی نسبت به سطح میز اره (7) قرار گیرد.
- اهرم نگهدارنده (39) رابه پایین فشار دهید.
- اهرم بایستی به طور محسوس و همراه با صدا جا بیافتد و روکش محافظ (6) محکم و مطمئن نصب باشد.

#### قبل از هر بار استفاده از آزادانه حرکت کردن روکش محافظ مطمئن شوید. در صورتی که روکش محافظ آزادانه حرکت نمی کند یا سریع بسته نمی شود از ابزار برقی استفاده نکنید.

#### نصب خطکش راهنمای موازی (رجوع شود به تصویر d)

- خطکش راهنمای موازی (10) را می توان به چپ یا راست تیغه اره تغییر داد.
- اهرم نگهدارنده (41) خطکش راهنمای موازی (10) را باز کنید. اینگونه راهنمای V شکل (42) آزاد می شود.
- ابتدا خطکش راهنمای موازی را با راهنمای V شکل در شیار راهنمای (11) تیغه اره قرار دهید.
- خطکش راهنمای موازی را در شیار راهنمای جلویی (1) میز اره قرار دهید.
- حال می توان خطکش راهنمای موازی را در وضعیت مورد نظر حرکت داد.
- برای تثبیت خطکش راهنمای موازی، دسته مهار (41) را به پایین برانید.

#### نصب کمکی خطکش راهنمای موازی (رجوع شود به تصویر e)

- برای اره کردن قطعه کارهای باریک و اره کردن با زاویه برش فارسی عمودی بایستی کمکی خط کش راهنمای موازی (43) را به خط کش راهنمای موازی (10) وصل کنید.
- کمکی خطکش راهنمای موازی را می توان بر حسب نیاز به چپ یا راست خطکش راهنمای موازی (10) نصب کرد.

برای نصب از بسته اتصال „کمکی خطکش راهنمای موازی“ (44) (2 پیچ اتصال، 2 واشر، 2 مهره پروانه ای) استفاده کنید.

- پیچهای اتصال را از میان سوراخ های کناری روی خطکش راهنمای موازی (10) عبور دهید.
- همزمان سر پیچ های فوقی بعنوان ریل هادی یا راهنمای حرکت خط کش کمکی عمل می کنند.
- کمکی خطکش راهنمای موازی (43) را روی سرهای پیچ های اتصال برانید.
- واشرها را روی پیچ های اتصال قرار دهید و پیچ ها را بوسیله پیچ پروانه ای محکم کنید.

#### نصب نقاله (رجوع کنید به تصویر f1-f2)

- ریل (45) نقاله (3) را به درون یکی از شیارهای راهنما (5) در میز اره که برای این منظور تعبیه شده است، برانید.
- برای بهتر قرار گرفتن قطعات کاری دراز، می توان نقاله را با ریل پروفیلی (29) گسترش داد.
- در صورت نیاز، ریل پروفیلی را به کمک مجموعه اتصال (46) روی نقاله نصب کنید.

#### مکش گرد، براده و تراشه

- گرد و غبار موادی مانند رنگ های دارای سرب، بعضی از چوب ها، مواد معدنی و فلزات میتوانند برای سلامتی مضر باشند. دست زدن و یا تنفس کردن گرد و غبار ممکن است باعث بروز آلرژی و یا بیماری مجاری تنفسی شخص استفاده کننده و یا افرادی که در آن نزدیکی میباشند، بشود.
- گرد و غبارهای مخصوصی مانند گرد و غبار درخت بلوط و یا درخت راش سرطان زا هستند، بخصوص ترکیب آنها با سایر موادی که برای کار بر روی چوب (کرومات، مواد برای محافظت از چوب) بکار برده میشوند. فقط افراد متخصص مجازند با موادی که دارای آزیست میباشند کار کنند.
- حتی الامکان از یک دستگاه مکش مناسب و درخور ماده (قطعه کار) استفاده کنید.
- توجه داشته باشید که محل کار شما از تهویه هوای کافی برخوردار باشد.
- توصیه میشود از ماسک تنفسی ایمنی با درجه فیلتر P2 استفاده کنید.
- به قوانین و مقررات معتبر در کشور خود در رابطه با استفاده از مواد و قطعات کاری توجه کنید.
- دستگاه مکنده گرد و غبار و تراشه ممکن است در اثر گرد و غبار، تراشه ها، براده ها یا اثر مکش تکه های کوچک قطعه کار مسدود شود.
- ابزار برقی را خاموش کنید و دو شاخه اتصال دستگاه را از داخل پریز برق بیرون بکشید.
- منتظر بمانید تا تیغه اره بطور کامل متوقف بشود.



- ابزار برقی را در وضعیت آماده برای حمل و نقل و حرکت بر روی میز کار نصب کنید.

### تعویض تیغه اره (رجوع کنید به تصاویر k1-k4)

◀ پیش از انجام هرگونه کاری بر روی ابزار الکتریکی، دوشاخه اتصال آنرا از داخل پریز برق بیرون بکشید.

◀ به هنگام مونتاژ تیغه اره از دستکش ایمنی استفاده کنید. خطر جراحت وجود دارد.

◀ فقط از تیغه های اره ای استفاده کنید که حداکثر سرعت مجاز آنها از سرعت در حالت آزاد (بدون بار) ابزار برقی شما بیشتر باشد.

◀ فقط از تیغه های اره ای استفاده کنید که دارای مشخصات و ارقام فنی مندرج در این دفترچه راهنما باشند و طبق استاندارد EN 847-1 کنترل و آزمایش شده و مطابق آن علامتگذاری شده باشند.

◀ فقط از تیغه ارههایی استفاده کنید که از طرف تولید کننده این ابزار برقی توصیه شده و برای مادهای که قصد کار کردن بر روی آن را دارید، مناسب باشد. بدین طریق میتوانید از داغ شدن دندانهای تیغه اره و ذوب شدن قطعه کار ساخته شده از مواد مصنوعی، جلوگیری کنید.

◀ از تیغه ارههای فولادی HSS استفاده نکنید. اینگونه تیغه های اره ممکن است سریع بشکنند.

### نحوه باز کردن و برداشتن تیغه اره

- میله چرخک دستی (19) را در جهت حرکت عقربه های ساعت تا انتها طوری بچرخانید که تیغه اره (27) در بالاترین موقعیت ممکن روی میز اره قرار گیرد.

- اهرم نگه دارنده (39) را باز کنید و روکش محافظ (6) را از شیار محافظ تیغه (8) در آورید.

- به علاوه در مورد مدل کشورها  
3 601 M30 5C2 :

- دکمه های فشاری (48) را با هم فشار دهید و قفل پس زدن (9) را از سوراخ محافظ تیغه (8) بیرون بکشید.

- واحد میز را با یک پیچ گوشتی (26) از جلو بلند کنید و آن را از جعبه ابزار در آورید.

- مهره مهار (49) را توسط آچار رینگ (23) بچرخانید و همزمان اهرم قفل محور (50) را تا جا افتادن بکشید.

- اهرم قفل محور را در همین حالت نگه دارید و با چرخاندن مهره مهار، در جهت مخالف حرکت عقربه های ساعت، آنرا باز کنید.

- فلنج مهار (51) را جدا کنید.

- تیغه اره (27) را جدا کنید.

### نحوه نصب کردن تیغه اره

در صورت لزوم، قطعات را پیش از نصب تمیز کنید.

- تیغه اره نو را روی فلنج گیرنده (53) محور ابزار (52) قرار دهید.

- علت گرفتگی و انسداد را مشخص نموده و آنرا برطرف کنید.

◀ از تجمع گرد و غبار در محل کار جلوگیری کنید. گرد و غبار می توانند به آسانی مشتعل شوند.

◀ جهت جلوگیری از بروز خطر آتش گرفتگی هنگام برش آلومینیوم، محافظه تراشه را خالی کنید و مکنده تراشه را بکار نبرید.

خالی کردن محافظه تراشه (رجوع کنید به تصویر g)

برای برداشتن تکه های مربوط به قطعه کار و تراشه های بزرگ می توان محافظه تراشه (32) را خالی کرد.

- ابزار برقی را خاموش کنید و دو شاخه اتصال دستگاه را از داخل پریز بیرون بکشید.

- منتظر بمانید تا تیغه اره بطور کامل متوقف بشود.

- پیچ اتصال (47) را با آچار آلن (22) باز کنید.

- محافظه تراشه (32) را بیرون بکشید و تکه های قطعه کار و تراشه ها را بردارید.

- محافظه تراشه را دوباره روی ابزار برقی نصب کنید.

### مکش خارجی (رجوع کنید به تصویر h)

آداپتور مکش ارسالی (33) را جهت اتصال یک مکنده به محافظه تراشه (32) را بکار برید.

- آداپتور مکش (33) را در شلنگ مکنده فرو کنید.

دستگاه مکنده باید برای قطعه کار مورد نظر مناسب باشد.

برای مکش گرد و غباری که برای سلامتی مضرند و سرطان زا هستند و یا برای مکش تراشه های خشک باید از یک دستگاه مکنده مخصوص استفاده کنید.

### نحوه مونتاژ در محل ثابت یا متغیر

◀ برای تضمین استفاده مطمئن از این ابزار برقی، باید ابزار برقی را پیش از شروع به کار روی یک سطح صاف و ثابت کاری (بعنوان مثال روی یک میز کار) نصب کنید.

نحوه نصب بر روی یک سطح کار (رجوع کنید به تصویر i)

- ابزار برقی را بوسیله پیچ های اتصال مناسب روی سطح کار محکم کنید. برای این منظور از سوراخهای (12) استفاده کنید.

نحوه نصب بر روی میز کار Bosch (رجوع کنید به تصویر j)

میز کار Bosch (مانند GTA 600) با داشتن پایه هایی که ارتفاع آنها را میتوان تغییر داد و تنظیم نمود، برای ابزار برقی یک سطح مستقر و مستحکم بر روی هرگونه زمینه ای را فراهم می سازد.

### لطفاً کلیه نکات ایمنی و دستورالعمل های

پیوست شده در رابطه با میز کار را بدقت مطالعه کنید. اشتباهات ناشی از عدم رعایت این نکات و دستورالعمل های ایمنی، ممکن است باعث برق گرفتگی، حریق و یا سایر جراحت های شدید شود.

◀ پیش از نصب ابزار برقی، ابتدا میز کار را بدرستی نصب و مستقر کنید. مونتاژ صحیح و استقرار کامل و بدون ایراد میز کار، برای جلوگیری از در هم شکستن آن بسیار پر اهمیت است.

- اهرم قفل کننده (17) را در خلاف جهت چرخش عقربه های ساعت باز کنید.
- نکته:** در صورت باز شدن کامل اهرم قفل کننده، تیغه اره با نیروی جاذبه به حالتی می رود که تقریباً با 30° مطابقت دارد.
- چرخک دستی (18) را در امتداد زمینه بکشید تا نمایشگر زاویه (54) زاویه برش فارسی دلخواه را نشان دهد.
- چرخک دستی را در این وضعیت نگهدارید و اهرم قفل کننده (17) را دوباره سفت کنید.
- برای تنظیم سریع و دقیق زاویههای عمودی استاندارد 0° و 45° از طرف کارخانه نگهدارندهای (62)، (65) از پیش در نظر گرفته شده.**
- تنظیم زاویه های فارسی افقی (نقاله) (رجوع کنید به تصویر B)**
- زاویه برش فارسی افقی را می توان در محدوده 60° تا (از طرف چپ) 60° تنظیم کرد.
- دکمه تثبیت (56) را در صورت محکم بودن، باز کنید.
- نقاله را بچرخانید تا نمایشگر زاویه (57) زاویه دلخواه را نشان دهد.
- دکمه تنظیم (56) را دوباره سفت کنید.

### گسترش میز اره

- زیر قسمت انتهایی باز قطعات کاری سنگین و طویل را باید پایه زد و یا به نحوی مهار نمود.
- گسترش میز اره (رجوع کنید به تصویر C)**
- میز کشویی (14) میز اره (7) را به طرف راست تا بیشینه 625 میلیمتر گسترش می دهد.
- دسته مهار (16) را برای گسترش میز کاملاً به بالا برانید.
- میز کشویی (14) را به اندازه طول دلخواه به بیرون بکشید.
- دسته مهار (16) رابه پایین فشار دهید. از این طریق میز کشویی تثبیت می شود.

### تنظیم کردن خطکش راهنمای موازی

- خط کش راهنمای موازی را می توان در سمت چپ (صفحه مدرج سیاه) یا راست (صفحه مدرج نقره ای) تیغه اره قرار داد. علامت روی ذره بین (28)، فاصله تنظیمی خط کش راهنمای موازی را نسبت به تیغه اره روی صفحه مدرج (2) نشان می دهد.
- خط کش راهنمای موازی را در سمت دلخواه تیغه اره قرار دهید.

### تنظیم خطکش راهنمای موازی در صورت عدم گسترش میز اره

- دسته مهار (41) خطکش راهنمای موازی را باز کنید. خطکش راهنمای موازی را جابه جا کنید تا علامت در ذره بین (28) فاصله دلخواه نسبت به تیغه اره را نشان دهد.
- در صورت گسترده نبودن میز اره، نوشته درجه بندی نقره ای (2) معتبر است.
- برای تثبیت، دسته مهار (41) رابه پایین فشار دهید.

**نکته:** تیغه اره های بسیار کوچک را بکار نبرید. شکاف قطری بین تیغه اره و گوه بایستی تا بیشینه 3 - 8 میلیمتر باشد.

### ◀ هنگام نصب تیغه اره توجه داشته باشید که جهت برش (تیزی) دندانه های تیغه اره (جهت فلش روی تیغه اره)، با جهت فلش روی گوه مطابقت داشته باشد!

- فلنج مهار (51) و مهره مهار (49) را قرار دهید.
- مهره مهار (49) را توسط آچار رینگ (23) بچرخانید و همزمان اهرم قفل محور (50) را تا زمانی که جا بیفتد بکشید.
- مهره مهار را در جهت عقربه های ساعت محکم کنید.
- واحد میز (26) را دوباره قرار دهید.
- روکش محافظ (6) را دوباره نصب کنید.
- به علاوه در مورد مدل کشورها
- 3 601 M30 5C2**
- قفل پس زدن (9) را دوباره نصب کنید.

## طرز کار با دستگاہ

### ◀ پیش از انجام هرگونه کاری بر روی ابزار الکتریکی، دوشاخه اتصال آنرا از داخل پریز برق بیرون بکشید.

### حالت حمل و نقل و کار تیغه اره

#### حالت حمل و نقل

- روکش محافظ (6) را بردارید، واحد میز (26) را جدا کنید و گوه (8) را در پایین ترین حالت قرار دهید. واحد میز (26) را دوباره قرار دهید.
- میل لنگ (19) را در خلاف جهت چرخش عقربه های ساعت بچرخانید تا دندانه های تیغه اره (27) زیر میز اره (7) باشند.
- میز کشویی (14) را کاملاً به داخل بکشید.
- دسته مهار (16) رابه پایین فشار دهید. از این طریق میز کشویی تثبیت می شود.

#### وضعیت کاری

- گوه (8) را در بالاترین حالت ممکن دقیقاً روی مرکز تیغه اره قرار دهید، واحد میز (26) را بگذارید و روکش محافظ (6) را نصب کنید.
- میل لنگ (19) را در جهت چرخش عقربه های ساعت بچرخانید تا دندانه های بالایی تیغه اره (27) حدود 3 - 6 میلیمتر بالای قطعه کار قرار گیرند.

### نحوه تنظیم زاویه برش فارسی عمودی و افقی

برای تضمین انجام برش های دقیق، باید بعد از کاربرد مستمر ابزار برقی، تنظیمات پایه و اولیه ابزار برقی را کنترل نموده و در صورت لزوم تنظیم و اصلاح کنید.

#### تنظیم زاویه های فارسی عمودی (تیغه اره) (رجوع کنید به تصویر A)

زاویه برش فارسی عمودی را می توان در محدوده 2° تا 47° تنظیم کرد.

### ◀ برای استفاده از ابزار برقی جهت شیاراندازی یا چین اندازی همواره از تجهیزات ایمنی مناسب (مانند قاب ایمنی توتلی، شانه فشار) استفاده کنید.

- اهرم نگه دارنده (39) را باز کنید و پوشش محافظ (6) را از شیار موجود در محافظ تیغه (8) بیرون بکشید.  
برای حفظ قاب محافظ در برابر آسیب دیدگی، آن را در نگه دارنده تعبیه شده (34) روی بدنه قرار دهید (رجوع کنید به تصویر O1).

- به علاوه در مورد مدل کشورها  
3 601 M30 5C2 :

- دکمه های فشاری (48) را با هم فشار دهید و قفل پس زدن (9) را از سوراخ موجود در محافظ تیغه (8) بیرون بکشید.  
به منظور نگه داری ایمن از قفل پس زدن، آن را در گیره تعبیه شده (74) موجود در بدنه محکم کنید (رجوع کنید به تصویر O1).

- میله چرخک دستی (19) را در جهت حرکت عقربه های ساعت تا انتها طوری بچرخانید که تیغه اهر (27) در بالاترین موقعیت ممکن روی میز اهر قرار گیرد.

- گیره نگه دارنده (35) را شل کنید.

مدل کشورها 3 601 M30 5C2 : پیچ های آلن (36) را با آچار آلن (22) شل کنید.

- محافظ تیغه را از پین ها (37) بیرون بکشید (اهرم نگه دارنده (35) را کمی به بیرون بکشید) و محافظ تیغه (8) را تا انتها به پایین برانید.

- بگذارید هر دو پین (37) در سوراخ های بالایی روی محافظ تیغه جا بیفتند و اهرم نگه دارنده (35) را دوباره محکم بکشید.

### راه اندازی و نحوه کاربرد دستگاه

◀ به ولتاژ برق شبکه توجه کنید! ولتاژ منبع جریان برق باید با مقادیر موجود بر روی برچسب ابزار الکتریکی مطابقت داشته باشد.

#### روشن کردن (رجوع کنید به تصویر G1)

- درپوش ایمنی (20) را به بالا برانید.

- برای راه اندازی، دکمه قطع و وصل سبز (59) را فشار دهید.

- بگذارید درپوش ایمنی (20) دوباره به پایین بیافتد.

#### خاموش کردن (رجوع کنید به تصویر G2)

- درپوش ایمنی (20) را بفشارید.

#### قطع جریان برق

کلید قطع و وصل، به اصطلاح یک کلید ولتاژ صفر است که از روشن شدن مجدد ابزار برقی پس از قطع شدن جریان برق (بطور مثال در اثر خارج کردن دوشاخه اتصال از داخل پریز برق در حین عملکرد ابزار) جلوگیری بعمل می آورد.

کلید قطع و وصل (59) را برای راه اندازی دوباره ابزار برقی فشار دهید.

### تنظیم خطکش راهنمای موازی در صورت گسترش میز (رجوع کنید به تصویر D)

- خطکش راهنمای موازی را در سمت راست تیغه اهر قرار دهید.

- خطکش راهنمای موازی را جا به جا کنید تا علامت در ذره بین (28) روی درجه بندی پایینی 26 سانتیمتر را نشان دهد.

- برای تثبیت، دسته مهار (41) را دوباره به پایین فشار دهید.

- دسته مهار (16) را برای گسترش میز کاملاً به بالا برانید.

- میز کشویی (14) را به بیرون بکشید تا نمایشگر فاصله (58) فاصله دلخواه نسبت به تیغه اهر را روی درجه بندی بالایی نشان بدهد.

- دسته مهار (16) را به پایین فشار دهید.  
از این طریق میز کشویی تثبیت می شود.

### تنظیم کمکی خطکش راهنمای موازی (رجوع شود به تصویر E)

برای اهر کردن قطعه کارهای باریک و اهر کردن با زاویه برش فارسی عمودی بایستی کمکی خطکش راهنمای موازی (43) را به خطکش راهنمای موازی وصل کنید.

کمکی خطکش راهنمای موازی را می توان بر حسب نیاز به چپ یا راست خطکش راهنمای موازی نصب کرد.

قطعات کار می توانند بین خطکش راهنمای موازی و تیغه اهر گیر کنند و بوسیله تیغه اهر برآمده به داخل کشیده و پرت شوند.

به همین دلیل خطکش راهنمای موازی را طوری تنظیم کنید که انتهای آن در محدوده بین اولین دندانه تیغه اهر و لبه جلویی گوه قرار گیرد.

- بدین منظور، مهره های پروانه ای بسته اتصال (44) را باز کنید و کمکی خطکش راهنمای موازی را جا به جا کنید تا تنها دو پیچ جلویی برای اتصال باقی بمانند.

- پیچ های پروانه ای را دوباره محکم ببندید.

### تنظیم کردن گوه

گوه (8) از گیر کردن تیغه اهر در (27) خط برش جلوگیری می کند. در غیر اینصورت خطر پس زدن وجود دارد، چنانچه تیغه اهر در قطعه کار گیر کند. بدین جهت همواره دقت کنید که گوه درست تنظیم شده باشد:

- شکاف قطری بین تیغه اهر و گوه بایستی تا بیشینه 3 - 8 میلیمتر باشد.

- ضخامت گوه باید کمتر از عرض برش و بیشتر از ضخامت ورقه باشد.

- گوه باید همیشه با تیغه اهر روی یک خط باشد.

- برای برشهای عادی بایستی گوه همیشه در بالاترین وضعیت قرار گیرد.

### نحوه تنظیم ارتفاع محافظ تیغه (رجوع کنید به تصویر F)

برای اهر کاری شیارها باید ارتفاع محافظ تیغه را تنظیم کنید.

## راهنمایهای عملی

### دستورالعمل ها و توضیحات کلی برای اهره کاری

◀ برای انجام هر گونه برش، ابتدا باید اطمینان حاصل کنید هیچگونه امکان تماسی مابین تیغه اهره با راهنماهای برش یا با سایر قطعات و بخش های دستگاه وجود ندارد.

◀ برای استفاده از ابزار برقی جهت شیار اندازی یا چین اندازی همواره از تجهیزات ایمنی مناسب (مانند قاب ایمنی تونلی، شانه فشار) استفاده کنید.

◀ از ابزار برقی برای شیاراندازی استفاده نکنید (انتهای شیار در قطعهکار).

تیغه اهره را در برابر ضربه محافظت کنید. تیغه اهره نباید در معرض هیچگونه فشار جانبی قرار بگیرد. توجه داشته باشید که محافظ تیغه باید کاملاً در امتداد و در یک خط با تیغه اهره قرار بگیرد، تا از گیر کردن قطعه کار جلوگیری بعمل آید.

از کار بر روی قطعه کار خمیده و ناصاف خودداری کنید. قطعه کار باید همواره یک ضلع صاف و مستقیم برای تکیه دادن به خط کش راهنمای برش داشته باشد.

میله نگهدارنده جانبی قطعه کار را همواره در نزدیکی ابزار برقی قرار دهید.

### حالت کاربر (رجوع کنید به تصویر H)

◀ هرگز در یک خط مستقیم با تیغه اهره نایستید.

همیشه در کنار ابزار بایستید، جایی که ریل نگهدارنده هم قرار دارد. هنگام پس زدن، اجسام ممکن است با سرعت زیاد به طرف کاربر پرتاب شوند که در خط مستقیم با تیغه اهره ایستاده اند.

– دست ها، بازوها و انگشتان خود را از تیغه اهره در حال چرخش دور نگهدارید.

به نکات و توصیه های زیر توجه کنید:

– قطعه کار را با هر دو دست مطمئن نگهدارید و آن را محکم به میز اهره فشار دهید.

– برای اهره کردن قطعه کارهای باریک و برش دادن با زاویه مورب عمودی همیشه از پیشران قطعه کار ارسالی (24) و گونیای موازی یدکی (43) استفاده کنید.

### بیشینه اندازهای قطعه کار

زاویه برش فارسی عمودی	بیشینه ارتفاع قطعه کار [میلیمتر]
0°	79
45°	56

## اهره کردن

### اهره کردن برش های مستقیم

– گونیای موازی را روی عرض برش دلخواه قرار دهید.

– قطعه کار را روی میز جلوی روکش محافظ (6) قرار دهید.

– میل لنگ (19) را تا اندازه ای بالا یا پایین ببرید که دندانهای بالایی تیغه اهره (27) حدود 3 - 6 mm بالای قطعه کار قرار گیرند.

- ابزار برقی را روشن کنید.
- قطعه کار را با فشار یکنواخت اهره کنید. در صورت ایجاد فشار بسیار زیاد ممکن است سر تیغه اهره داغ شود و قطعه کار آسیب ببیند.
- ابزار برقی را خاموش کنید و منتظر بمانید که تیغه اهره به طور کامل متوقف شود.

### اهره کردن تحت زاویه برش فارسی عمودی (مورب)

- زاویه مورب دلخواه تیغه اهره را تنظیم کنید. هنگام متمایل بودن تیغه اهره به سمت چپ، گونیای موازی باید در سمت راست تیغه اهره باشد.
- مراحل برش کاری را مطابق با این بخش دنبال کنید: (رجوع کنید به «اهره کردن برش های مستقیم»، صفحه 148)

### برش با زاویه فارسی افقی (رجوع کنید به تصویر A)

- زاویه برش فارسی افقی را روی نقاله (3) تنظیم کنید.
- قطعه کار را روی ریل پروفیل (29) قرار دهید. پروفیل نباید در خط برش قرار گیرد. در این مورد مهره کنگره ای (60) را باز کنید و ریل پروفیل را جا به جا کنید.

– میل لنگ (19) را در جهت چرخش عقربه های ساعت، بلند یا جا به جا کنید تا دندانهای بالایی تیغه اهره (27) حدود 6 - 3 میلیمتر بالای قطعه کار قرار گیرند.

- ابزار برقی را روشن کنید.
- قطعه کار را با دست به طرف ریل پروفیل (29) فشار دهید و نقاله را با دست دیگر روی دستگیره (56) آهسته در شیار راهنما (5) به طرف جلو برانید.

– ابزار برقی را خاموش کنید و منتظر بمانید که تیغه اهره بطور کامل متوقف شود.

## تنظیم و کنترل تنظیمات پایه

برای تضمین انجام برش های دقیق، باید بعد از کاربرد مستمر ابزار برقی، تنظیمات پایه و اولیه ابزار برقی را کنترل نموده و در صورت لزوم تنظیم و اصلاح کنید.

برای این منظور به تجربه و ابزار ویژه نیاز دارید. تعمیرگاه مجاز و خدمات پس از فروش Bosch این کار را سریع و مطمئن انجام می دهد.

### تنظیم نگهدارندههای زاویه مورب عمودی استاندارد 0°/45°

- ابزار برقی را در وضعیت آماده برای انجام کار قرار دهید.
- یک زاویه برش فارسی عمودی 0° را تنظیم کنید.
- روکش محافظ (6) را بردارید.
- نحوه کنترل (رجوع کنید به تصویر J1)
- یک نقاله را روی 90° تنظیم کنید و بر میز اهره (7) قرار دهید.
- پای نقاله بایستی با تیغه اهره (27) روی کل طول مسطح شود.

برای تثبیت، اهرم مهار (41) را دوباره به پایین فشار دهید.

- اهرم مهار (16) را کاملاً به بالا بکشید و کشویی بسط میز اره (14) را تا انتها به بیرون بکشید.

#### نحوه کنترل

نمایشگر فاصله (58) بایستی روی درجه بندی بالایی (2) مقدار شبیه علامت در ذره بین (28) را روی درجه بندی پایینی (2) نشان دهد.

#### نحوه تنظیم

- دسته مهار را کاملاً به بالا و میز کشویی (14) را تا انتها به بیرون بکشید.

- پیچ (68) را با یک پیچگوشتی چهارسو باز کنید و نمایشگر فاصله (58) را در امتداد درجه 26 سانتیمتری درجه بندی بالایی (2) تراز کنید.

#### نحوه تنظیم موازی بودن خطکش راهنمای

##### موازی (رجوع کنید به تصویر M)

- ابزار برقی را در وضعیت آماده برای انجام کار قرار دهید.

- روکش محافظ (6) را بردارید.

- دسته ی مهار (41) خطکش راهنمای موازی را باز کنید و آن را برانید تا با تیغه ی اره تماس پیدا کند.

#### نحوه کنترل

خطکش راهنمای موازی باید تیغه اره را از تمام طول لمس کند.

#### نحوه تنظیم

- پیچ های آلنی (69) را با آچار آلن ارسالی (22) باز کنید.

- خطکش راهنمای موازی را با احتیاط حرکت دهید تا با تمامی طول تیغه اره تماس پیدا کند.

- خط کش راهنمای موازی را در این وضعیت نگهدارید و دستگیره مهار (41) را دوباره به پایین فشار دهید.

- همه ی پیچ های آلنی (69) را دوباره سفت کنید.

#### تنظیم کردن نیروی کشش خط کش راهنمای

##### موازی

نیروی کشش خطکش راهنمای موازی ممکن است پس از کاربری طولانی کاهش یابد.

- پیچ تنظیم (25) را آنقدر سفت کنید تا خطکش راهنمای موازی دوباره محکم روی میز اره تثبیت شود.

#### نحوه تنظیم ذره بین خطکش راهنمای موازی

##### (رجوع کنید به تصویر M)

- ابزار برقی را در وضعیت آماده برای انجام کار قرار دهید.

- قاب محافظ (6) را بردارید.

- گونیای موازی را از راست حرکت دهید تا با تیغه اره تماس پیدا کند.

#### نحوه کنترل

ذره بین (28) بایستی در یک خط با درجه 0 میلیمتری درجه بندی (2) قرار گیرد.

#### نحوه تنظیم

- پیچ (70) را با یک چهارسو باز کنید و علامت را با درجه 0 میلیمتری تراز کنید.

#### نحوه تنظیم (رجوع کنید به تصویر J2)

- پیچ (61) را باز کنید. اینگونه نگهدارنده  $0^{\circ}$  (620) جا به جا می شود.

- اهرم قفل کننده (17) را باز کنید.

- چرخک دستی (18) را برعکس نگهدارنده  $0^{\circ}$  را جا به جا کنید تا پای نقاله با تیغه اره روی کل طول مسطح شود.

- چرخک دستی را در این وضعیت نگهدارید و اهرم قفل کننده (17) را دوباره سفت کنید.

- پیچ (61) را دوباره سفت کنید.

چنانچه نشانگر زاویه (54) پس از تنظیم در یک خط با علامت  $0^{\circ}$  درجه بندی (55) نیست، پیچ (63) با یک پیچگوشتی چهارسوی معمولی باز کنید و نشانگر زاویه را در امتداد علامت  $0^{\circ}$  تنظیم کنید.

مراحل کاری بالا را بر همین روال برای زاویه برش فارسی عمودی  $45^{\circ}$  تکرار کنید (پیچ (64) را باز کنید؛ نگهدارنده  $45^{\circ}$  (654) را جا به جا کنید. نمایشگر زاویه (54) نباید در این حین تغییر کند.

#### موازی بودن تیغه اره با شیارهای نقاله (رجوع

##### کنید به تصویر K)

- ابزار برقی را در وضعیت آماده برای انجام کار قرار دهید.

- روکش محافظ (6) را بردارید.

#### نحوه کنترل

- با یک مداد، اولین دندان ای که در پشت بالایی واحد میز دیده می شود را علامت بزنید.

- نقاله را روی  $90^{\circ}$  تنظیم کنید و آن را روی لبه شیار راهنما (5) قرار دهید.

- پایه نقاله را جا به جا کنید تا به دندان اره برخورد کند و فاصله بین تیغه اره و شیار راهنما را بخوانید.

- تیغه اره را بچرخانید تا دندان علامت گذاری شده در جلو بالایی واحد میز قرار گیرد.

- خط کش راهنمای زاویه را در امتداد شیار راهنما تا محل دندان علامت گذاری شده تیغه اره حرکت دهید.

- فاصله مابین تیغه اره و شیار راهنما را مجدداً اندازه بگیرید.

هر دو فاصله اندازه گیری شده باید با یکدیگر یکسان باشند.

#### نحوه تنظیم

- پیچ های آلنی (66) در جلو زیر میز اره و پیچ های آلنی (67) در پشت زیر میز اره را با آچار آلن ارسالی (22) را باز کنید.

- تیغه اره را با احتیاط حرکت دهید تا با شیار راهنما (5) موازی شود.

- پیچ ها (66) و (67) را دوباره سفت کنید.

#### نحوه تنظیم نمایشگر فاصله میز اره (رجوع کنید

##### به تصویر L)

- گونیای موازی را در سمت راست تیغه اره قرار دهید.

گونیای موازی را جا به جا کنید تا علامت در ذره بین (28) روی درجه بندی پایینی 26 سانتیمتر را نشان دهد.

## نحوه تنظیم سطح واحد میز (رجوع کنید به تصویر N)

### نحوه کنترل

بخش جلویی واحد میز (26) باید کاملاً همسطح یا کمی زیر میز اره باشد، طرف پشت بایستی همسطح یا کمی بالا نسبت به میز اره باشد.

### نحوه تنظیم

- واحد میز (26) را بردارید.
- با آچار آلن (22) سطح صمیع چهار پیچ تنظیم (71) را تنظیم کنید.

## نگهداری و حمل و نقل

### نگه داری اجزاء دستگاه (رجوع کنید به تصاویر 05-01)

ابزار برقی به منظور نگه داری، به شما امکان اتصال ایمن عناصر مشخص دستگاه را ارائه می دهد.

- خط کش راهنمای موازی اضافی (43) را از خط کش راهنمای موازی باز کنید.

- تمامی قطعات باز شده دستگاه را در محفظه نگه داری موجود در بدنه (به جدول زیر رجوع کنید) قرار دهید.

تص	اجزاء دستگاه	محل نگه داری	ویر
01	پوشش محافظ (6)	را در شیار گیره نگه دارنده (34) آویزان کنید و با اهرم نگه دارنده (39) آن را محکم کنید	
01	قفل پس زدن (9) (مدل کشورها 3 601 M30 5C2)	دکمه های فشاری (48) را با هم فشار دهید و اجازه دهید در سوراخ گیره (74) جا بیفتد	
02	"خط کش مجموعه اتصال" راهنمای موازی اضافی (44)	را در گیره ها (72) قرار دهید	
02	آداپتور مکش (33)	را در گیره های نگه دارنده (73) برانید	
03	آچار رینگی (23)	را با مهره اتصال (75) در جعبه ابزار محکم کنید	
03	پیشران قطعه کار (24)	را بالای مهره اتصال (75) آویزان کنید و با راندن محکم کنید	
04	خط کش راهنمای موازی	را برگردانید، از پایین در ریل های راهنما بیاویزید و اهرم مهار (41) را تثبیت کنید	
05	آچار آلن (22) آچار آلن (21)	را در گیره ها (76) هدایت کنید	
05	نقاله (3)	را در گیره های نگه دارنده (77) برانید	
05	خط کش راهنمای موازی اضافی (43)	را در گیره های نگه دارنده (31) برانید (طرف کوتاه به بالا؛ طرف بلند به پشت)	

## حمل و نقل ابزار برقی

قبل از حمل و نقل ابزار برقی باید اقدامات زیر انجام شوند:

- ابزار برقی را در وضعیت آماده برای حمل و نقل قرار دهید.
- کلیه قطعات و متعلقاتی که قابل نصب بر ابزار برقی بصورت ثابت نیستند را بردارید.
- تیغه های اره که مورد استفاده قرار نگرفته اند را در صورت امکان برای حمل و نقل داخل یک محفظه بسته قرار دهید.
- کشویی میز (14) را کاملاً به درون برانید و اهرم مهار (16) را برای تثبیت به پایین فشار دهید.
- کابل برق را دور نگهدارنده کابل (30) کلاف کنید.
- برای بلند کردن یا حمل، دستگاه را از دسته ها (13) بگیرید.
- ◀ برای حمل و نقل و جابجایی ابزار برقی، فقط از تجهیزات حمل و نقل استفاده کنید و هیچوقت از تجهیزات ایمنی آن برای حمل و نقل استفاده نکنید.

## مراقبت و سرویس

### مراقبت، تعمیر و تمیز کردن دستگاه

◀ پیش از انجام هرگونه کاری بر روی ابزار الکتریکی، دوشاخه اتصال آنرا از داخل پریز برق بیرون بکشید.

◀ ابزار الکتریکی و شیارهای تهویه آنرا تمیز نگاه دارید، تا ایمنی شما در کار تضمین گردد.

در صورت نیاز به یک کابل پدکی برای اتصال به شبکه برق، بایستی به شرکت Bosch و یا به نمایندگی مجاز Bosch (خدمات پس از فروش) برای ابزار آلات برقی مراجعه کنید تا از بروز خطرات ایمنی جلوگیری بعمل آید.

### نحوه تمیز کردن

بعد از انجام هر مرحله کار، گرد و غبار و تراشه ها را به وسیله فشار هوا و یا بوسیله یک قلم مو از دستگاه دور کنید.

### روان کاری ابزار برقی

#### ماده روان کننده:

روغن موتور SAE 10/SAE 20

- در صورت نیاز ابزار برقی را در قسمتهای نشان داده شده روانکاری کنید (رجوع کنید به تصویر P).



تعمیرگاه های مجاز شرکت Bosch این کار ها را سریع و با اطمینان انجام میدهند.

◀ مواد تمیز کننده و روان کننده را مطابق با حفظ محیط زیست دفع کنید. به مقررات قانونی توجه کنید.

### اقدامات برای کاهش سر و صدا

اقدامات از طرف تولید کننده:

- روشن شدن آرام الکترونیکی
- ارسال با یک کاهنده سر و صدای ویژه تیغه اره
- اقدامات از طرف کاربر:
- نصب بدون لرزش روی یک سطح کار ثابت



- استفاده از تیغه اره های دارای کاهنده سر و صدا
- تمیز کردن مرتب تیغه اره و ابزار برقی

### متعلقات

شماره فنی	
2 610 015 511	کیسه گرد و غبار
2 610 015 509	آداپتور مکش
2 610 015 513	آداپتور 3 TSVH
2 610 015 507	نقاله
2 610 015 022	پیشران قطعه کار
0 601 B22 001	میز کار GTA 600
<b>تیغه های اره برای چوب و صفحه های فشرده چوبی، پانل ها و زوارها</b>	
2 608 640 901	تیغه اره 40, 25,4 x 25,4 mm دندانه
2 608 640 902	تیغه اره 60, 25,4 x 25,4 mm دندانه

### خدمات و مشاوره با مشتریان

خدمات مشتری، به سئوالات شما درباره تعمیرات، سرویس و همچنین قطعات یدکی پاسخ خواهد داد. نقشه های سه بعدی و اطلاعات مربوط به قطعات یدکی را در تارنمای زیر میابید:

[www.bosch-pt.com](http://www.bosch-pt.com)

گروه مشاوره به مشتریان Bosch با کمال میل به سئوالات شما درباره محصولات و متعلقات پاسخ می دهند.

برای هرگونه سؤال و یا سفارش قطعات یدکی، حتماً شماره فنی 10 رقمی کالا را مطابق برچسب روی ابزار برقی اطلاع دهید.

### ایران

روبرت بوش ایران - شرکت بوش تجارت پارس  
میدان ونک، خیابان شهید خدای، خیابان آفتاب  
ساختمان مادران، شماره 3، طبقه سوم.  
تهران 1994834571  
تلفن: 9821+ 42039000

**آدرس سایر دفاتر خدماتی را در ادامه بیابید:**  
[www.bosch-pt.com/serviceaddresses](http://www.bosch-pt.com/serviceaddresses)

### از رده خارج کردن دستگاه

ابزار برقی، متعلقات و بسته بندی آن، باید طبق مقررات حفظ محیط زیست از رده خارج و بازیافت شوند.

ابزارهای برقی را داخل زباله دان خانگی نیندازید!



