



GHG 18V-50 Professional

HEAVY
DUTY



Robert Bosch Power Tools GmbH
70538 Stuttgart
GERMANY

www.bosch-pt.com

1 609 92A 6F6 (2021.08) T / 60

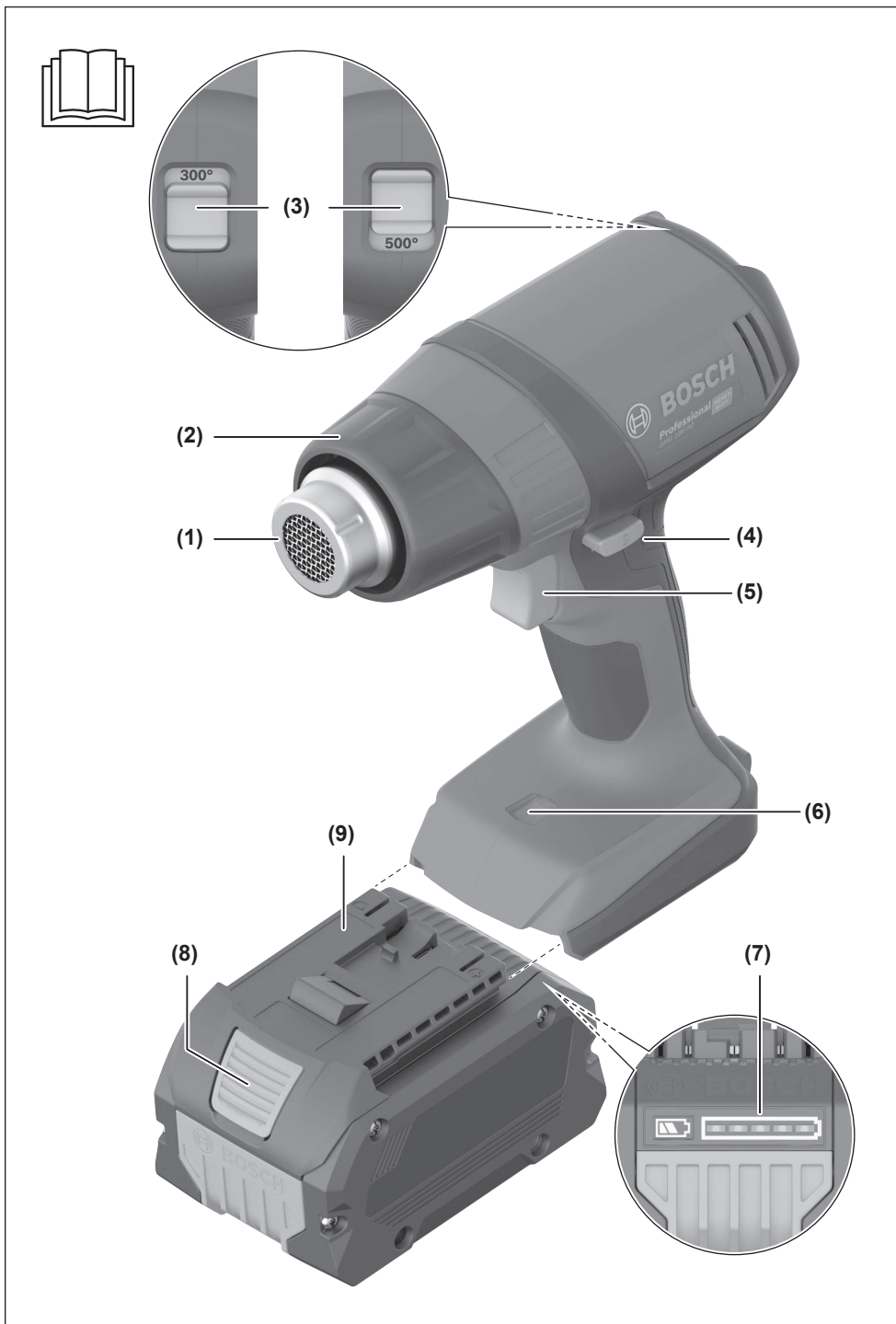


1 609 92A 6F6

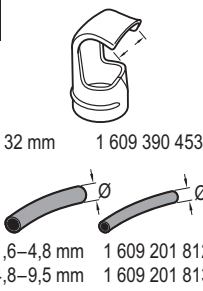
- en Original instructions
- fr Notice originale
- pt Manual original
- es Manual original
- pt Manual de instruções original
- zh 正本使用说明书
- zh 原始使用說明書
- th หนังสือคู่มือการใช้งานฉบับต้นแบบ
- id Petunjuk-Petunjuk untuk Penggunaan Orisinal
- vi Bản gốc hướng dẫn sử dụng
- ar دليل التشغيل الأصلي
- fa دفترچه راهنمای اصلی



English	Page	5
Français	Page	9
Português	Página	14
Español	Página	18
Português do Brasil	Página	23
中文	頁	28
繁體中文	頁	32
ไทย	หน้า	35
Bahasa Indonesia	Halaman	41
Tiếng Việt	Trang	45
عربي	الصفحة	51
فارسی	صفحه	56



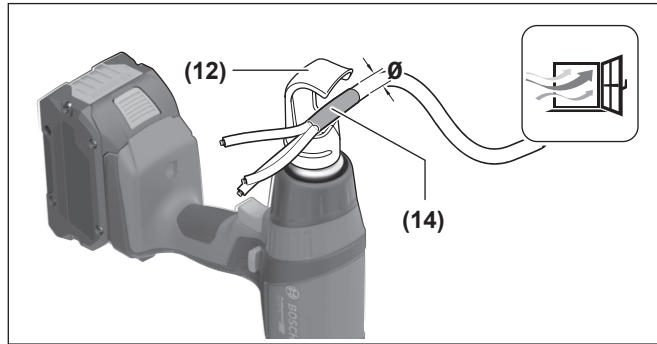
A



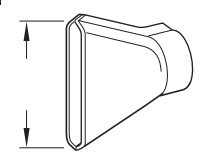
32 mm 1 609 390 453

Ø 1,6–4,8 mm 1 609 201 812

Ø 4,8–9,5 mm 1 609 201 813

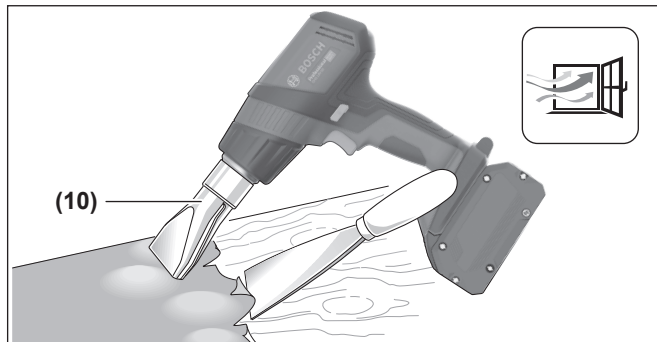


B

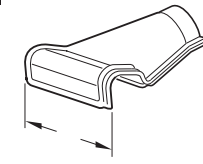


75 mm 1 609 390 451

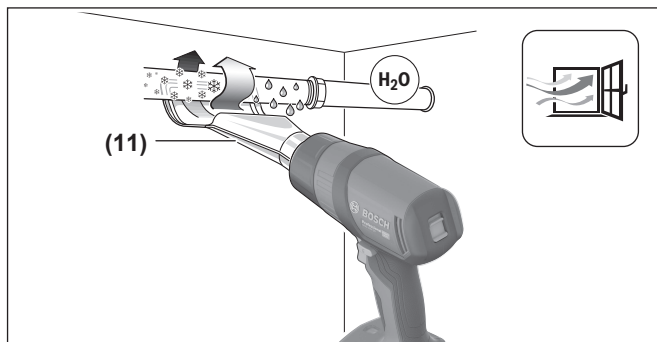
50 mm 1 609 201 795



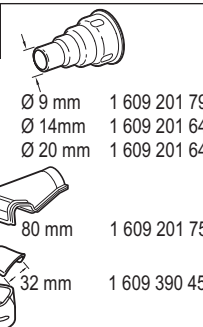
C



80 mm 1 609 201 751



D



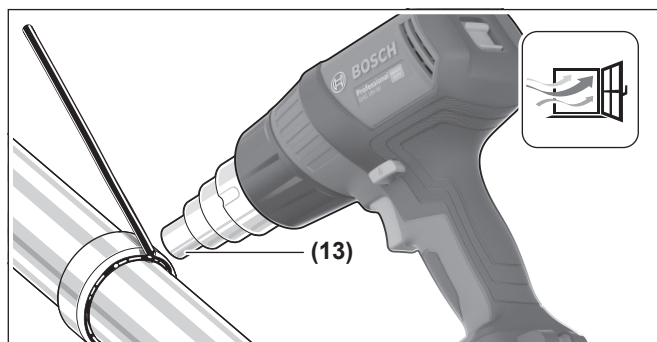
Ø 9 mm 1 609 201 797

Ø 14 mm 1 609 201 647

Ø 20 mm 1 609 201 648

80 mm 1 609 201 751

32 mm 1 609 390 453



English

Safety instructions



Read all the safety information and instructions. Failure to observe the safety information and follow instructions may result in electric shock, fire and/or serious injury.

Save all warnings and instructions for future reference.

- ▶ **This heat gun is not intended for use by children or persons with physical, sensory or mental limitations or a lack of experience or knowledge. This heat gun can be used by children aged 8 or older and by persons who have physical, sensory or mental limitations or a lack of experience or knowledge if a person responsible for their safety supervises them or has instructed them in the safe operation of the heat gun and they understand the associated dangers.**

Otherwise there is a risk of operating errors and injury.

- ▶ **Supervise children during use, cleaning and maintenance.** This will ensure that children do not play with the heat gun.
- ▶ **Handle the heat gun with care.** The heat gun produces intense heat which increases the risk of fire and explosion.
- ▶ **Take particular care when working in the vicinity of flammable materials.** The hot airflow or hot nozzle may ignite dust or gases.
- ▶ **Do not work with the heat gun in potentially explosive areas.**
- ▶ **Do not aim the hot airflow at the same area for prolonged periods.** Working with plastic, paint, varnish or similar materials may produce easily flammable gases.

- ▶ **Please be aware that heat is directed to covered flammable materials, which may ignite.**
- ▶ **Safely place the heat gun on the storage surfaces after use and let it cool completely before packing it away.** The hot nozzle can cause damage.
- ▶ **Do not let children use the heat gun unsupervised when it is switched on.**
- ▶ **Store idle heat guns out of the reach of children. Do not allow persons unfamiliar with the heat gun or these instructions to operate the tool.** Heat guns can be dangerous in the hands of untrained users.
- ▶ **Do not expose the heat gun to rain or wet conditions.** Water entering a heat gun increases the risk of electric shock.
- ▶ **Always wear safety goggles.** Safety goggles reduce the risk of injury.
- ▶ **Remove the rechargeable battery before adjusting the tool settings, changing accessories, or storing the heat gun.** This safety measure prevents the heat gun from being started accidentally.



Keep your work area well-ventilated. The gas and steam produced during work are often harmful to one's health.

- ▶ **Wear protective gloves and do not touch the nozzle while it is hot.** There is a risk of burns.
- ▶ **Do not direct the airflow at persons or animals.**
- ▶ **Do not use the heat gun as a hair dryer.** The outgoing airflow is considerably hotter than that of a hair dryer.
- ▶ **Do not allow foreign objects to enter the heat gun.**
- ▶ **The distance between the nozzle and the workpiece depends on the material you are working on (metal, plastic, etc.) and the intended working method.** Always test the amount of air and temperature first.
- ▶ **Do not open the battery.** There is a risk of short-circuiting.
- ▶ **In case of damage and improper use of the battery, vapours may be emitted. The battery can set alight or explode.** Ensure the area is well ventilated and seek medical attention should you experience any adverse effects. The vapours may irritate the respiratory system.
- ▶ **If used incorrectly or if the battery is damaged, flammable liquid may be ejected from the battery. Contact with this liquid should be avoided. If contact accidentally occurs, rinse off with water. If the liquid comes into contact with your eyes, seek additional medical attention.** Liquid ejected from the battery may cause irritation or burns.
- ▶ **The battery can be damaged by pointed objects such as nails or screwdrivers or by force applied externally.** An internal short circuit may occur, causing the battery to burn, smoke, explode or overheat.
- ▶ **When the battery is not in use, keep it away from paper clips, coins, keys, nails, screws or other small metal objects that could make a connection from one**

terminal to another. A short circuit between the battery terminals may cause burns or a fire.

- ▶ **Only use the battery with products from the manufacturer.** This is the only way in which you can protect the battery against dangerous overload.
- ▶ **Only charge the batteries using chargers recommended by the manufacturer.** A charger that is suitable for one type of battery may pose a fire risk when used with a different battery.



Protect the battery against heat, e.g. against continuous intense sunlight, fire, dirt, water and moisture. There is a risk of explosion and short-circuiting.



Product Description and Specifications

Please observe the illustrations at the beginning of this operating manual.

Intended Use

The heat gun is intended for deforming and welding plastic, removing coats of paint and heating heat shrink plastic tubes. It is also suitable for soldering and tinning, melting adhesive bonding and thawing water pipes.

The heat gun is only intended for handheld, supervised use.

- ▶ **Do not use the heat gun in potentially explosive areas or in the presence of flammable materials or dusts.**

Product Features

The numbering of the product features refers to the representation of the heat gun on the graphics page.

- (1) Nozzle
- (2) Heat shield, removable
- (3) Power level setting
- (4) Unlocking switch
- (5) On/off switch
- (6) LED worklight
- (7) Battery charge indicator^{a)}
- (8) Battery release button^{a)}
- (9) Rechargeable battery^{a)}
- (10) Surface nozzle^{a)}
- (11) Angle nozzle^{a)}
- (12) Reflector nozzle^{a)}
- (13) Reducing nozzle^{a)}
- (14) Heat shrink plastic tube^{a)}

a) **Accessories shown or described are not included with the product as standard. You can find the complete selection of accessories in our accessories range.**

Technical Data

Heat gun	GHG 18V-50	
Article number	3 601 BA6 5..	
Rated voltage	V=	18
Max. airflow	l/min	175
Temperature at the nozzle outlet ^{A)}	°C	300/500
Temperature measurement accuracy		±10 %
Weight according to EPTA-Procedure 01:2014	kg	0.93–2.0 ^{B)}
Dimensions (length × width × height)	mm	183 × 77 × 209
Recommended ambient temperature during charging	°C	0 to +35
Permitted ambient temperature during operation ^{C)} and during storage	°C	–20 to +50
Recommended rechargeable batteries (from 4 Ah)	GBA 18V... ProCORE18V...	
Recommended chargers	GAL 18... GAX 18... GAL 36...	

A) At an ambient temperature of 20 °C

B) Depends on battery in use

C) Limited performance at temperatures < 0 °C

Noise/vibration information

Typically, the A-weighted sound pressure level of the heat gun is less than **70 dB(A)**.

Vibration total values a_h (triax vector sum) and uncertainty K: $a_h < 2.5 \text{ m/s}^2$, $K = 1.5 \text{ m/s}^2$.

Rechargeable battery

Inserting the Battery

- ▶ **Do not use force to insert the rechargeable battery.**

The rechargeable battery is designed so that it can only be inserted into the heat gun in the right position.

Push the charged battery into the battery holder until it clicks into place.

The lithium-ion battery is protected against deep discharge by "Electronic Cell Protection (ECP)". A protective circuit switches the heat gun off when the rechargeable battery is drained.

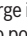
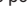
Follow the instructions on correct disposal.

Removing the Battery

To remove the rechargeable battery, press the battery release button and pull the battery out. **Do not use force to do this.**

Battery charge indicator

The green LEDs on the battery charge indicator indicate the state of charge of the rechargeable battery. For reasons of safety, you can call up the state of charge only when the heat gun is off.

Press the button for the battery charge indicator  or  to show the state of charge. This is also possible when the rechargeable battery is removed.

If no LED lights up after pressing the button for the battery charge indicator, then the rechargeable battery is defective and must be replaced.

Battery model GBA 18V...



LED	Capacity
3 × continuous green light	60–100 %
2 × continuous green light	30–60 %
1 × continuous green light	5–30 %
1 × flashing green light	0–5 %

Battery model ProCORE18V...



LED	Capacity
5 × continuous green light	80–100 %
4 × continuous green light	60–80 %
3 × continuous green light	40–60 %
2 × continuous green light	20–40 %
1 × continuous green light	5–20 %
1 × flashing green light	0–5 %

Operation

Starting operation

- **Remove the rechargeable battery before changing accessories or storing the heat gun.** This safety measure prevents the heat gun from being started accidentally.

Creation of Smoke During Initial Use

A coating protects the metal surfaces from corrosion ex-works. This protective layer evaporates during initial use. The heat gun may display discolourations on the nozzle (1) due to the production process. These do not count as damage; the functioning of the heat gun is not affected.

Selecting a Power Setting

With the output level setting (3) you can choose between two different output levels. The LED worklight flashes briefly while switching:

- Setting 300 °C
With this setting, you can, for instance, thaw water pipes or process heat shrink plastic tubes. Upon switching on,

this temperature is reached in less than 6 s. With a fully charged 8 Ah rechargeable battery, the runtime is up to 21 min.

- Setting 500 °C
With this setting, you can, for instance, remove paint or soft-solder.

The specifications on heating-up time refer to measurements at room temperature.

Switching On

To **switch on**, first press the unlocking switch (4) and then the on/off switch (5). After starting, you can release the unlocking switch (4). The unlocking switch (4) does not have to be pressed again during operation.

Upon starting the heat gun, the LED worklight (6) switches on and illuminates the work area.

Switching Off

To switch off the tool, release the on/off switch (5).

Switch off the heat gun at the rechargeable battery (9) to allow it to cool down.

Restart Protection

If the rechargeable battery (9) is removed from the heat gun while in operation and the on/off switch (5) is still being held down when it is reinserted, the restart protection will activate. The LED worklight (6) flashes and the heat gun does not start.

Release the on/off switch (5) and switch the heat gun back on as usual.

Overheat Protection for the Rechargeable Battery

If the rechargeable battery (9) gets too hot during operation, the output is reduced. The LED worklight (6) flashes slowly for as long as the on/off switch (5) is pressed.

If the heat gun continues to be operated and the temperature in the rechargeable battery increases further, the heat gun will switch itself off.

Reduced Output

The heat gun is compatible with all available 18 V Bosch Professional rechargeable batteries.

When operating the heat gun with rechargeable batteries smaller than the recommended 4 Ah, however, the heat gun will not reach full power at the 500 °C setting (the temperature is not reached and the air volume is reduced). In order to show that the heat gun is working only with reduced output, the LED worklight (6) flashes slowly several times upon switching on.

LED Displays

The LED worklight (6) is also used as an LED status indicator.

Feedback via LED	Event description
Brief flashing	Temperature change
Flashing multiple times when starting the heat gun	Reduced output (use of rechargeable battery < 4 Ah)

Feedback via LED	Event description
Flashing slowly for as long as the on/off switch (5) is pressed	Restart protection Overheat protection for the rechargeable battery
Flashing quickly for as long as the on/off switch (5) is pressed	Internal error

If there is a permanent internal error in the heat gun (the heat gun does not start or switches off when it is already in operation), please contact customer service.

Practical advice

Note: Do not position the nozzle (1) too close to the workpiece that you are using the power tool on. The resulting air blockage can lead to the heat gun overheating.

Removing the heat shield

When working in particularly tight spaces, you can remove the heat shield (2) by turning it.

► **Caution: Nozzle is hot!** Working without the heat shield increases the risk of burns.

To remove or put on the heat shield (2), switch the heat gun off and let it cool down.

Example applications (see figures A–D)

Images of example applications can be found on the graphics pages.

The distance between the nozzle and the workpiece depends on the material you are working on (metal, plastic etc.) and the intended working method.

The optimum temperature for each application can be determined by a practical test.

Always test the amount of air and temperature first. Start at a greater distance and a lower power setting. Then adjust the distance and power setting according to requirements.

If you are unsure what material you are working on or what effect the hot air might have on it, first test the effect on a concealed area.

You can work without accessories for all examples of work. However, using the recommended accessories will simplify the work and considerably increase the quality of the result. You can use all nozzles that are available as accessories from **Bosch** with this heat gun.

► **Take care when changing the nozzle. Do not touch the nozzle while it is hot. Let the heat gun cool down and wear protective gloves during changeover.** The heat from the nozzle can cause burns.

Heat-shrinking (see figure A)

Fit the reflector nozzle (12) (accessory). Choose the diameter of the heat shrink plastic tube (14) (accessory) suitable for the workpiece. Evenly heat the heat shrink plastic tube until it fits closely against the workpiece.

Removing varnish/loosening adhesives (see figure B)

Fit the surface nozzle (10) (accessory). Briefly soften the varnish with hot air and remove it with a clean spatula. Long

heat exposure burns the varnish and makes removal more difficult.

Many adhesives can be softened using heat. By heating adhesives, you can break connections or remove excess adhesive.

Thawing frozen water pipes (see figure C)

► **Before applying heat to the pipe, check it is in fact a water pipe.** Water pipes and gas pipes often look identical from the outside. Gas pipes must under no circumstances be heated.

Fit the angle nozzle (11) (accessory). Gradually heat the frozen points of the pipe, starting at the outlet and moving back towards the inlet.

Take great care when warming plastic pipes and pipe connections to avoid causing damage.

Soft Soldering (see figure D)

Fit the reducing nozzle (13) (accessories).

If you are using solder without flux, apply soldering grease or paste to the solder joint. Heat the solder joint and apply the solder. The solder must be melted by the temperature of the workpiece.

If necessary, remove the flux after the solder joint has cooled down.

Maintenance and Service

Maintenance and Cleaning

- **Remove the rechargeable battery from the heat gun before carrying out any work on the air pump (e.g. maintenance, tool change, etc.) as well as when transporting and storing the heat gun.**
- **Keep the heat gun and the ventilation slots clean in order to work safely and well.**

After-Sales Service and Application Service

Our after-sales service responds to your questions concerning maintenance and repair of your product as well as spare parts. You can find explosion drawings and information on spare parts at: www.bosch-pt.com

The Bosch product use advice team will be happy to help you with any questions about our products and their accessories.

In all correspondence and spare parts orders, please always include the 10-digit article number given on the nameplate of the product.

Malaysia

Robert Bosch Sdn. Bhd. (220975-V) PT/SMY

No. 8A, Jalan 13/6

46200 Petaling Jaya

Selangor

Tel.: (03) 79663194

Toll-Free: 1800 880188

Fax: (03) 79583838

E-Mail: kiathoe.chong@my.bosch.com

www.bosch-pt.com.my

You can find further service addresses at:

www.bosch-pt.com/serviceaddresses

Transport

The contained lithium-ion batteries are subject to the Dangerous Goods Legislation requirements. The batteries are suitable for road-transport by the user without further restrictions.

When shipping by third parties (e.g.: by air transport or forwarding agency), special requirements on packaging and labelling must be observed. For preparation of the item being shipped, consulting an expert for hazardous material is required.

Dispatch battery packs only when the housing is undamaged. Tape or mask off open contacts and pack up the battery in such a manner that it cannot move around in the packaging. Please also observe the possibility of more detailed national regulations.

Disposal

Heat guns, rechargeable batteries, accessories and packaging should be fed into environmentally friendly recycling.



Do not throw heat guns and rechargeable batteries/non-rechargeable batteries in the domestic waste.

Battery packs/batteries:**Li-ion:**

Please observe the notes in the section on transport (see "Transport", page 9).

Français

Consignes de sécurité



Lisez attentivement toutes les instructions et consignes de sécurité. Le non-respect des instructions et consignes de sécurité peut provoquer un choc électrique, un incendie et/ou entraîner de graves blessures.

Conservez tous les avertissements et toutes les instructions pour pouvoir s'y reporter ultérieurement.

► **Ce décapeur thermique n'est pas prévu pour être utilisé par des enfants ni par des personnes souffrant d'un handicap physique, sensoriel ou mental ou manquant d'expérience ou de connaissances. Ce décapeur thermique peut être uti-**

lisé par des enfants (âgés d'au moins 8 ans) et par des personnes souffrant d'un handicap physique, sensoriel ou mental ou manquant d'expérience ou de connaissances, à condition qu'ils soient sous la surveillance d'une personne responsable de leur sécurité ou après avoir reçu des instructions sur la façon d'utiliser le décapeur thermique en toute sécurité et après avoir bien compris les dangers inhérents à son utilisation. Il y a si- non risque de blessures et d'utilisation inappropriée.

- **Ne laissez pas les enfants sans surveillance lors de l'utilisation, du nettoyage et de l'entretien.** Faites en sorte que les enfants ne jouent pas avec le décapeur thermique.
- **Maniez le décapeur thermique avec précaution.** Le décapeur thermique génère des températures élevées susceptibles de provoquer des incendies ou des explosions.
- **Soyez extrêmement vigilant lors d'une utilisation à proximité de matériaux inflammables.** L'air chaud et la buse brûlante peuvent enflammer de la poussière ou des gaz.
- **N'utilisez pas le décapeur thermique dans un environnement potentiellement explosif.**
- **Ne dirigez pas l'air chaud sur un même endroit pendant une durée prolongée.** Lors d'une utilisation sur des matières plastiques, des peintures, des laques ou d'autres matériaux similaires, des gaz facilement inflammables pourraient être générés.
- **Ayez à l'esprit que la chaleur peut se propager vers des matériaux inflammables cachés et les enflammer.**
- **Après son utilisation, posez le décapeur thermique sur un support stable et laissez-le refroidir complètement avant de le ranger.** La buse chaude peut causer des dommages.

- ▶ **Ne laissez pas le décapeur thermique sans surveillance quand il est en marche.**
- ▶ **Conservez le décapeur thermique hors de portée des enfants quand il n'est pas utilisé. Veillez à ce que le décapeur thermique ne soit pas utilisé par des personnes non familiarisées avec son fonctionnement ou qui n'ont pas lu la présente notice.** Les décapeurs thermiques sont dangereux lorsqu'ils sont utilisés par des personnes non initiées.
- ▶ **N'exposez pas le décapeur thermique à la pluie ou à l'humidité.** La pénétration d'eau à l'intérieur d'un décapeur thermique accroît le risque de choc électrique.
- ▶ **Portez toujours des lunettes de protection.** Des lunettes de protection réduisent le risque de blessures.
- ▶ **Retirez l'accu avant tout réglage, changement d'accessoire ou avant de ranger le décapeur thermique.** Cette mesure de précaution réduit le risque de mise en marche accidentel du décapeur thermique.



Aérez bien le poste de travail. Les gaz et vapeurs générés en cours d'utilisation sont souvent nuisibles à la santé.

- ▶ **Portez des gants de protection et ne touchez pas la buse chaude.** Il y a risque de brûlure.
- ▶ **Ne dirigez pas l'air chaud vers des personnes ou des animaux.**
- ▶ **N'utilisez en aucun cas le décapeur thermique comme un sèche-cheveux.** L'air qui sort est beaucoup plus chaud que celui d'un sèche-cheveux.
- ▶ **Veillez à ce qu'aucun corps étranger ne pénètre dans le décapeur thermique.**
- ▶ **La distance à respecter entre la buse et la pièce dépend de la nature du matériau (métal, plastique, etc.) et de la nature du travail à effectuer.** Commencez toujours par effectuer des tests pour bien choisir le débit d'air et la température.
- ▶ **N'ouvrez pas l'accu.** Risque de court-circuit.
- ▶ **Si l'accu est endommagé ou utilisé de manière non conforme, des vapeurs peuvent s'échapper. L'accu peut brûler ou exploser.** Ventilez le local et consultez un médecin en cas de malaise. Les vapeurs peuvent entraîner des irritations des voies respiratoires.
- ▶ **En cas d'utilisation inappropriée ou de défectuosité de l'accu, du liquide inflammable peut suinter de l'accu. Évitez tout contact avec ce liquide. En cas de contact accidentel, rincez abondamment à l'eau. Si le liquide entre en contact avec les yeux, consultez en plus un médecin dans les meilleurs délais.** Le liquide qui s'échappe de l'accu peut causer des irritations ou des brûlures.
- ▶ **Les objets pointus comme un clou ou un tournevis et le fait d'exercer une force extérieure sur le boîtier risque d'endommager l'accu.** Il peut en résulter un court-circuit interne et l'accu risque de s'enflammer, de dégager des fumées, d'exploser ou de surchauffer.

- ▶ **Lorsque l'accu n'est pas utilisé, le tenir à l'écart de tout objet métallique (trombones, pièces de monnaie, clés, clous, vis ou autres objets de petite taille) susceptible de créer un court-circuit entre les contacts.** Le court-circuitage des contacts d'un accu peut causer des brûlures ou causer un incendie.
- ▶ **N'utilisez l'accu qu'avec des produits du fabricant.** Tout risque de surcharge dangereuse sera alors exclu.
- ▶ **Ne chargez les accus qu'avec des chargeurs recommandés par le fabricant.** Un chargeur conçu pour un type d'accu bien spécifique peut provoquer un incendie lorsqu'il est utilisé pour charger d'autres accus.



Conservez la batterie à l'abri de la chaleur, en la protégeant p. ex. de l'ensoleillement direct, du feu, de la saleté, de l'eau et de l'humidité. Il existe un risque d'explosion et de courts-circuits.

Description des prestations et du produit

Référez-vous aux illustrations qui se trouvent au début de la notice d'utilisation.

Utilisation conforme

Le décapeur thermique est conçu pour les travaux de déformation et de soudage de matières plastiques, d'enlèvement de couches de peinture ainsi que pour le réchauffement de gaines thermorétractables. Il peut aussi être utilisé pour braser et étamer, défaire des liaisons collées et pour dégeler des canalisations d'eau.

Le décapeur thermique est destiné à une utilisation à main levée, sous surveillance.

- ▶ **N'utilisez pas le décapeur thermique dans des environnements explosifs, à proximité de matériaux inflammables ou de poussières combustibles.**

Éléments constitutifs

La numérotation des éléments se réfère à la représentation du décapeur thermique sur la page graphique.

- (1) Buse
- (2) Protection thermique, amovible
- (3) Réglage du niveau de puissance
- (4) Interrupteur de déverrouillage
- (5) Bouton Marche/Arrêt
- (6) Éclairage de travail LED
- (7) Indicateur d'état de charge de l'accu^{a)}
- (8) Bouton de déverrouillage d'accu^{a)}
- (9) Accu^{a)}
- (10) Buse plate^{a)}
- (11) Buse coudée^{a)}
- (12) Buse à réflecteur^{a)}
- (13) Buse de réduction^{a)}

(14) Gaine thermorétractable^{a)}

- a) **Les accessoires décrits ou illustrés ne sont pas tous compris dans la fourniture. Vous trouverez les accessoires complets dans notre gamme d'accessoires.**

Caractéristiques techniques

Décapeur thermique		GHG 18V-50
Référence		3 601 BA6 5..
Tension nominale	V=	18
Volume d'air maxi	l/min	175
Température à l'extrémité de la buse ^{A)}	°C	300/500
Précision de mesure de la température		± 10 %
Poids suivant EPTA-Procédure 01:2014	kg	0,93–2,0 ^{B)}
Dimensions (longueur x largeur x hauteur)	mm	183 × 77 × 209
Températures ambiantes recommandées pour la charge	°C	0 ... +35
Températures ambiantes admissibles pendant l'utilisation ^{C)} et pour le stockage	°C	-20 ... +50
Accus recommandés (à partir de 4 Ah)		GBA 18V... ProCORE18V...
Chargeurs recommandés		GAL 18... GAX 18... GAL 36...

A) à une température ambiante de 20 °C

B) Dépend de l'accu utilisé

C) Performances réduites à des températures < 0 °C

Informations sur le niveau sonore / les vibrations

Le niveau de pression acoustique en dB(A) typique du décapeur thermique est inférieur à **70 dB(A)**.

Valeurs globales de vibration a_h (somme vectorielle sur les trois axes) et incertitude K :
 $a_h < 2,5 \text{ m/s}^2$, $K = 1,5 \text{ m/s}^2$.

Accu**Mise en place de l'accu**

- **Ne forcez pas pour insérer l'accu.** L'accu est conçu de façon à ne pouvoir être introduit dans le décapeur thermique que dans la position correcte.

Insérez l'accu dans le compartiment à accu jusqu'à ce qu'il s'enclenche.

L'accu Lithium-Ion est protégé contre une décharge complète par « Electronic Cell Protection (ECP) » (l'électronique de protection des cellules). Quand l'accu est déchargé, un circuit de protection désactive automatiquement le décapeur thermique.

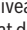
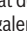
Respectez les indications concernant l'élimination.

Retrait de l'accu

Pour retirer l'accu, appuyez sur le bouton de déverrouillage de l'accu et sortez l'accu de l'outil électroportatif. **Ne forcez pas.**

Indicateur de niveau de charge de l'accu

Les LED vertes de l'indicateur d'état de charge indiquent le niveau de charge de l'accu. Pour des raisons de sécurité, il n'est possible d'afficher l'état de charge que quand le décapeur thermique est à l'arrêt.

Pour voir le niveau de charge, appuyez sur le bouton de l'indicateur d'état de charge  ou . L'affichage du niveau de charge est également possible après retrait de l'accu.

Si aucune LED ne s'allume après avoir appuyé sur le bouton de l'indicateur d'état de charge, l'accu est défectueux et doit être remplacé.

Batterie de type GBA 18V...

LED	Capacité
Allumage permanent en vert de 3 LED	60–100 %
Allumage permanent en vert de 2 LED	30–60 %
Allumage permanent en vert de 1 LED	5–30 %
Clignotement en vert de 1 LED	0–5 %

Batterie de type ProCORE18V...

LED	Capacité
Allumage permanent en vert de 5 LED	80–100 %
Allumage permanent en vert de 4 LED	60–80 %
Allumage permanent en vert de 3 LED	40–60 %
Allumage permanent en vert de 2 LED	20–40 %
Allumage permanent en vert de 1 LED	5–20 %
Clignotement en vert de 1 LED	0–5 %

Utilisation**Mise en marche**

- **Retirez l'accu avant tout changement d'accessoire ou avant de ranger le décapeur thermique.** Cette mesure de précaution réduit le risque de mise en marche accidentel du décapeur thermique.

Dégagement de fumée lors de la première utilisation

Un revêtement est appliqué en usine sur les surfaces métalliques pour les protéger de la corrosion. Cette couche de protection s'évapore lors de la première utilisation.

En raison du processus de fabrication, le décapeur thermique peut présenter une décoloration sur la buse **(1)**. Il ne

s'agit pas d'un dommage et cela n'affecte pas le fonctionnement du décapeur thermique.

Sélection de la température

Le réglage du niveau de puissance (3) vous permet de choisir entre deux niveaux de puissance différents. Lors de la commutation, le témoin lumineux de travail clignote brièvement :

- Niveau 300 °C
Ce niveau vous permet par exemple de dégeler des conduites d'eau ou des gaines thermorétractables. Après la mise sous tension, cette température est atteinte en moins de 6 s. Avec une batterie de 8 Ah entièrement chargée, l'autonomie peut atteindre 21 minutes.
- Niveau 500 °C
Ce niveau vous permet par exemple d'enlever le vernis ou la soudure tendre.

Les informations relatives au temps de chauffage se rapportent à des mesures effectuées à température ambiante.

Mise en marche

Pour **allumer** le dispositif, appuyez d'abord sur l'interrupteur de déverrouillage (4), puis sur l'interrupteur Marche/Arrêt (5). Après le démarrage, vous pouvez relâcher l'interrupteur de déverrouillage (4). Il n'est pas nécessaire d'appuyer plus longtemps sur l'interrupteur de déverrouillage (4) pendant le fonctionnement.

Lorsque le décapeur thermique est mis en marche, la lampe de travail LED (6) s'allume et éclaire la zone de travail.

Arrêt

Pour arrêter l'outil électroportatif, relâchez l'interrupteur Marche/Arrêt (5).

Placez le décapeur thermique sur l'accu (9) pour la laisser refroidir.

Protection anti-redémarrage

Si l'accu (9) est retirée du décapeur thermique pendant le fonctionnement puis réinsérée alors que l'interrupteur Marche/Arrêt (5) est toujours enfoncé, la protection contre le redémarrage est activée. La lampe de travail LED (6) clignote et décapeur thermique ne démarre pas.

Relâchez l'interrupteur Marche/Arrêt (5), puis remettez le décapeur thermique en marche comme d'habitude.

Protection contre la surchauffe de l'accu

Si l'accu (9) devient trop chaude pendant le fonctionnement, la puissance est réduite. La lampe de travail LED (6) clignote lentement tant que l'interrupteur Marche/Arrêt est enfoncé (5).

Si le décapeur thermique continue à fonctionner et que la température de l'accu continue à augmenter, le décapeur thermique s'éteint automatiquement.

Puissance réduite

Le décapeur thermique est compatible avec toutes les accus rechargeables Bosch Professional 18 V disponibles.

Cependant, lorsque le décapeur thermique fonctionne avec des accus inférieures aux 4 Ah recommandés, le décapeur thermique n'atteint pas sa performance maximale au niveau

de 500 °C (la température n'est pas atteinte et le volume d'air est réduit). Pour indiquer que le décapeur thermique ne fonctionne qu'à puissance réduite, la lampe de travail LED (6) clignote plusieurs fois à un rythme lent lorsqu'il est allumé.

Indicateurs LED

La lampe de travail LED (6) est également utilisée comme affichage d'état LED.

État de la LED	Description de l'événement
Clignotement court	Changement de température
Clignotement répété lors du démarrage du décapeur thermique	Puissance réduite (utilisation d'une accu < 4 Ah)
Clignotement à un rythme lent tant que l'interrupteur Marche/Arrêt (5) est enfoncé	Protection anti-redémarrage Protection contre la surchauffe de l'accu
Clignotement à un rythme rapide tant que l'interrupteur Marche/Arrêt (5) est enfoncé	Erreur interne

Si une erreur interne s'affiche en permanence sur le décapeur thermique (le décapeur thermique ne démarre pas ou s'arrête alors qu'il est déjà en fonctionnement), veuillez contacter le service clientèle.

Instructions d'utilisation

Remarque : N'approchez pas trop la buse (1) de la pièce à travailler. L'air chaud qui s'accumule risque de provoquer une surchauffe du décapeur thermique.

Retrait de la protection thermique

Pour travailler dans des endroits particulièrement exigus, il est possible de retirer la protection thermique (2) en tournant.

► **Attention à la buse chaude !** Il y a un risque élevé de brûlures pendant les travaux sans protection thermique.

Pour retirer et remettre en place la protection thermique (2), arrêtez le décapeur thermique et laissez-le refroidir.

Exemples d'utilisation (voir les figures A-D)

Vous trouverez les figures avec les exemples d'utilisation sur les pages graphiques.

La distance à respecter entre la buse et la pièce dépend de la nature du matériau (métal, plastique, etc.) et de la nature du travail à effectuer.

La température optimale pour l'application envisagée doit être déterminée en procédant à des tests pratiques.

Commencez toujours par effectuer des tests pour bien choisir le débit d'air et la température. Ce faisant, commencez avec une grande distance et avec une température basse. Ajustez ensuite la distance et la température en fonction des besoins.

Si vous ne connaissez pas la nature du matériau sur lequel vous allez travailler ou ne savez pas comment le matériau va

réagir à la chaleur, commencez par tester son comportement à un endroit caché.

Vous pouvez travailler sans accessoires pour tous les exemples de travail. Le fait d'utiliser les accessoires recommandés simplifie cependant le travail et permet d'obtenir de biens meilleurs résultats.

Toutes les buses disponibles sont utilisables comme accessoires **Bosch** pour ce décapeur thermique.

- **Attention lors du remplacement de la buse ! Ne touchez pas la buse brûlante. Laissez refroidir le décapeur thermique et portez des gants de protection pendant le remplacement.** La buse brûlante risque de vous brûler.

Thermorétraction de gaines (voir figure A)

Fixez la buse à réflecteur **(12)** (accessoire) sur le décapeur. Choisissez une gaine thermorétractable **(14)** (accessoire) de diamètre approprié. Chauffez la gaine thermorétractable uniformément jusqu'à ce qu'elle enserre parfaitement la pièce.

Enlèvement de vernis ou colle (voir figure B)

Montez la buse plate **(10)** (accessoire). Ramollissez brièvement le vernis avec l'air chaud et enlevez-le délicatement avec une spatule propre. Une trop forte chaleur brûle le vernis et rend son enlèvement plus difficile.

De nombreuses colles se ramollissent sous l'action de la chaleur. Après avoir chauffé la colle, il devient possible de séparer des pièces collées ou de retirer des excédents de colle.

Dégel de conduites d'eau (voir figure C)

- **Avant de chauffer une conduite d'eau, assurez-vous qu'il s'agit bien d'une conduite d'eau.** De l'extérieur, il est souvent difficile de distinguer les conduites d'eau des conduites de gaz. Il est strictement interdit de chauffer une conduite de gaz.

Montez la buse coudée **(11)** (accessoire). Réchauffez toujours les endroits gelés en déplaçant la buse dans le sens inverse au sens d'écoulement dans la conduite.

Pour éviter tout dommage, chauffez les tuyaux en plastique ainsi que les raccords entre tronçons de tuyaux avec une extrême prudence.

Brasage tendre (voir figure D)

Fixez la buse de réduction **(13)** (accessoire) sur le décapeur.

Si vous utilisez un métal d'apport sans flux de brasage, enduisez l'endroit à braser de graisse décapante ou de pâte à braser. Chauffez le joint de soudure et ajoutez la soudure. La température de la pièce doit faire fondre le métal d'apport. Une fois que la brasure a refroidi, enlevez le flux de brasage (en cas d'utilisation d'un métal d'apport avec flux de brasage).

Entretien et Service après-vente

Nettoyage et entretien

- **Retirez l'accu du décapeur thermique avant toute intervention (opérations d'entretien/de maintenance, changement d'accessoire, etc.) ainsi que lors de son transport et rangement.**
- **Tenez toujours propres le décapeur thermique ainsi que les fentes de ventilation afin d'obtenir un travail impeccable et sûr.**

Service après-vente et conseil utilisateurs

Notre Service après-vente répond à vos questions concernant la réparation et l'entretien de votre produit et les pièces de rechange. Vous trouverez des vues éclatées et des informations sur les pièces de rechange sur le site :

www.bosch-pt.com

L'équipe de conseil utilisateurs Bosch se tient à votre disposition pour répondre à vos questions concernant nos produits et leurs accessoires.

Pour toute demande de renseignement ou toute commande de pièces de rechange, précisez impérativement la référence à 10 chiffres figurant sur l'étiquette signalétique du produit.

Maroc

Robert Bosch Morocco SARL
53, Rue Lieutenant Mahroud Mohamed
20300 Casablanca
Tel.: +212 5 29 31 43 27
E-Mail : sav.outillage@ma.bosch.com

Vous trouverez d'autres adresses du service après-vente sous :

www.bosch-pt.com/serviceaddresses

Transport

Les accus Lithium-ion sont soumis à la réglementation relative au transport de matières dangereuses. Pour le transport par voie routière, aucune mesure supplémentaire n'a besoin d'être prise.

Lors d'une expédition par un tiers (par ex. transport aérien ou entreprise de transport), des mesures spécifiques doivent être prises concernant l'emballage et le marquage. Pour la préparation de l'envoi, faites-vous conseiller par un expert en transport de matières dangereuses.

N'expédiez que des accus dont le boîtier n'est pas endommagé. Recouvrez les contacts non protégés et emballez l'accu de manière à ce qu'il ne puisse pas se déplacer dans l'emballage. Veuillez également respecter les réglementations supplémentaires éventuellement en vigueur.

Élimination des déchets



Prière de rapporter le décapeur thermique, les accus, les accessoires associés et les emballages dans un centre de recyclage respectueux de l'environnement.



Ne jetez pas le décapeur thermique et les piles/accus avec des ordures ménagères !

Accus/piles :

Li-Ion :

Veuillez respecter les indications se trouvant dans le chapitre Transport (voir « Transport », Page 13).

Português

Instruções de segurança



Leia todas as instruções de segurança e instruções. A inobservância das instruções de segurança e das instruções pode causar choque elétrico, incêndio e/ou ferimentos graves.

Guarde bem todas as advertências e instruções para futura referência.

- ▶ **Este soprador de ar quente não pode ser utilizado por crianças e pessoas com capacidades físicas, sensoriais ou mentais reduzidas, ou com insuficiente experiência e conhecimentos. Este soprador de ar quente pode ser utilizado por crianças a partir dos 8 anos, assim como pessoas com capacidades físicas, sensoriais ou mentais reduzidas, ou com insuficiente experiência e conhecimentos, desde que as mesmas sejam supervisionadas por uma pessoa responsável pela sua segurança ou recebam instruções acerca da utilização segura do soprador de ar quente e dos perigos provenientes do mesmo.** Caso contrário há perigo de operação errada e ferimentos.

- ▶ **Vigie as crianças durante a utilização, a limpeza e a manutenção.** Desta forma garante que nenhuma criança brinca com o soprador de ar quente.
- ▶ **Manuseie o soprador de ar quente com cuidado.** O soprador de ar quente produz muito calor, o que pode originar um elevado perigo de incêndio e explosão.
- ▶ **Tenha especial cuidado quando trabalhar na proximidade de materiais inflamáveis.** O fluxo de ar quente ou o bico quente podem inflamar pó ou gases.
- ▶ **Não trabalhe com o soprador de ar quente em ambientes onde há risco de explosão.**
- ▶ **Não oriente o fluxo de ar quente durante muito tempo para o mesmo local.** Durante o processamento de plásticos, tintas, vernizes ou materiais semelhantes podem formar-se gases facilmente inflamáveis.
- ▶ **Tenha em atenção que o calor é transmitido a materiais inflamáveis cobertos, podendo provocar a sua ignição.**
- ▶ **Após utilização, deposite de forma segura o soprador de ar quente nas superfícies para pousar a ferramenta e deixe-o arrefecer completamente antes de o arrumar.** O bico quente pode causar danos.
- ▶ **Não deixe o soprador de ar quente ligado sem vigilância.**
- ▶ **Guarde sopradores de ar quente não utilizados fora do alcance de crianças. Não deixe pessoas utilizarem o soprador de ar quente se não estiverem familiarizadas com o mesmo ou se não tiverem lido estas instruções.** Os sopradores de ar quente são perigosos se forem utilizados por pessoas inexperientes.
- ▶ **Mantenha o soprador de ar quente afastado da chuva ou de humidade.** A infiltração de água num soprador de ar quente aumenta o risco de choque elétrico.
- ▶ **Use sempre óculos de proteção.** Os óculos de proteção reduzem o risco de ferimentos.
- ▶ **Remova a bateria antes de executar ajustes na ferramenta, de substituir acessórios ou de guardar o soprador de ar quente.** Esta medida preventiva evita um arranque inadvertido do soprador de ar quente.
- ▶ **Areje bem o seu local de trabalho.** Os gases e vapores que se formam durante o trabalho são muitas vezes nocivos para a saúde.
- ▶ **Use luvas de proteção e não toque no bico quente.** Existe perigo de queimadura.



Areje bem o seu local de trabalho. Os gases e vapores que se formam durante o trabalho são muitas vezes nocivos para a saúde.

- ▶ **Não oriente o fluxo de ar quente para pessoas ou animais.**
- ▶ **Não utilize o soprador de ar quente como secador de cabelo.** O fluxo de ar que sai é bastante mais quente do que num secador de cabelo.
- ▶ **Certifique-se de que não entram corpos estranhos no soprador de ar quente.**
- ▶ **A distância entre o bico e a peça deve ser definida em função do material a processar (metal, plástico, etc.) e o tipo de processamento pretendido.** Efetue primeiro um teste relativamente ao caudal de ar e à temperatura.
- ▶ **Não abrir o acumulador.** Há risco de um curto-circuito.
- ▶ **Em caso de danos e de utilização incorreta da bateria, podem escapar vapores. A bateria pode incendiar-se ou explodir.** Areje o espaço e procure assistência médica no caso de apresentar queixas. É possível que os vapores irrite as vias respiratórias.
- ▶ **No caso de utilização incorreta ou bateria danificada pode vaziar líquido inflamável da bateria. Evitar o contacto. No caso de um contacto acidental, deverá enxaguar com água. Se o líquido entrar em contacto com os olhos, também deverá consultar um médico.** Líquido que sai da bateria pode levar a irritações da pele ou a queimaduras.
- ▶ **Os objetos afiados como, p. ex., pregos ou chaves de fendas, assim como o efeito de forças externas podem danificar o acumulador.** Podem causar um curto-circuito interno e o acumulador pode ficar queimado, deitar fumo, explodir ou sobreaquecer.
- ▶ **Manter o acumulador que não está sendo utilizado afastado de cliques, moedas, chaves, parafusos ou outros pequenos objetos metálicos que possam causar um curto-circuito dos contactos.** Um curto-circuito entre os contactos do acumulador pode ter como consequência queimaduras ou fogo.
- ▶ **Use a bateria apenas em produtos do fabricante.** Só assim é que a bateria é protegida contra sobrecarga perigosa.
- ▶ **Só carregar baterias em carregadores recomendados pelo fabricante.** Há perigo de incêndio se um carregador, apropriado para um determinado tipo de baterias, for utilizado para carregar baterias de outros tipos.



Proteger a bateria contra calor, p. ex. também contra uma permanente radiação solar, fogo, sujidade, água e humidade. Há risco de explosão ou de um curto-circuito.



Descrição do produto e do serviço

Respeite as figuras na parte da frente do manual de instruções.

Utilização adequada

O soprador de ar quente destina-se a moldar e soldar plástico, remover demãos de tinta e aquecer mangas

retráteis. Também é adequado para brasar e estancar, descolar uniões coladas e descongelar de tubos de água. O soprador de ar quente é para uso manual, sob vigilância.

- ▶ **Não use o soprador de ar quente em áreas potencialmente explosivas, próximo de materiais inflamáveis ou poeira combustível.**

Componentes ilustrados

A numeração dos componentes ilustrados refere-se à apresentação do soprador de ar quente na página de esquemas.

- (1) Bico
- (2) Proteção térmica, amovível
- (3) Ajuste do nível de potência
- (4) Interruptor de desbloqueio
- (5) Interruptor de ligar/desligar
- (6) Luz de trabalho LED
- (7) Indicador do nível de carga da bateria^{a)}
- (8) Tecla de desbloqueio da bateria^{a)}
- (9) Bateria^{a)}
- (10) Bico espalhador^{a)}
- (11) Bico angular^{a)}
- (12) Bico refletor^{a)}
- (13) Bico de redução^{a)}
- (14) Manga retrátil^{a)}

a) **Acessórios apresentados ou descritos não pertencem ao volume de fornecimento padrão. Todos os acessórios encontram-se no nosso programa de acessórios.**

Dados técnicos

Soprador de ar quente		GHG 18V-50
Número de produto		3 601 BA6 5..
Tensão nominal	V=	18
Caudal de ar máx.	l/min	175
Temperatura na entrada do bico ^{A)}	°C	300/500
Precisão de medição da temperatura		±10 %
Peso conforme EPTA-Procedure 01:2014	kg	0,93–2,0 ^{B)}
Dimensões (comprimento × largura × altura)	mm	183 × 77 × 209
Temperatura ambiente recomendada durante o carregamento	°C	0 ... +35
Temperatura ambiente admissível em funcionamento ^{C)} e durante o armazenamento	°C	-20 ... +50
Baterias recomendadas (a partir de 4 Ah)		GBA 18V... ProCORE18V...

Soprador de ar quente	GHG 18V-50
Carregadores recomendados	GAL 18... GAX 18... GAL 36...

- A) a 20 °C de temperatura ambiente
 B) Dependendo da bateria utilizada
 C) Potência limitada com temperaturas <0 °C

Informação sobre ruídos/vibrações

O nível de pressão sonora avaliado como A do soprador de ar quente é inferior a **70 dB(A)**.

Valores totais de vibração a_h (soma dos vetores das três direções) e incerteza K:

$a_h < 2,5 \text{ m/s}^2$, $K = 1,5 \text{ m/s}^2$.

Bateria

Colocar a bateria

- **Não coloque a bateria com violência.** A bateria está construída de forma a só poder ser encaixada no soprador de ar quente na posição certa.

Insira a bateria carregada no respetivo encaixe, até que esta esteja engatada.

A bateria de iões de lítio está protegida contra descarga completa pelo sistema "Electronic Cell Protection (ECP)". Com a bateria descarregada, o soprador de ar quente é desligado através de um circuito de proteção.



Observe as indicações sobre a eliminação de forma ecológica.

Retirar a bateria

Para retirar a bateria, pressione a respetiva tecla de desbloqueio e puxe a bateria para fora. **Não empregue força.**

Indicador do nível de carga da bateria

Os LEDs verdes do indicador do nível de carga da bateria indicam o nível de carga da bateria. Por motivos de segurança, a consulta do nível de carga só é possível com o soprador de ar quente parado.

Prima a tecla para o indicador do nível de carga da bateria  ou  para visualizar o nível de carga. Isto também é possível com a bateria removida.

Se, depois de premir a tecla para o indicador do nível de carga da bateria, não se acender qualquer LED, a bateria tem defeito e tem de ser substituída.

Tipo de bateria GBA 18V...



LED	Capacidade
Luz permanente 3 × verde	60–100 %
Luz permanente 2 × verde	30–60 %
Luz permanente 1 × verde	5–30 %

LED	Capacidade
Luz intermitente 1 × verde	0–5 %

Tipo de bateria ProCORE18V...



LED	Capacidade
Luz permanente 5 × verde	80–100 %
Luz permanente 4 × verde	60–80 %
Luz permanente 3 × verde	40–60 %
Luz permanente 2 × verde	20–40 %
Luz permanente 1 × verde	5–20 %
Luz intermitente 1 × verde	0–5 %

Funcionamento

Colocação em funcionamento

- **Remova a bateria antes de substituir acessórios ou de guardar o soprador de ar quente.** Esta medida preventiva evita um arranque inadvertido do soprador de ar quente.

Formação de fumo na primeira colocação em funcionamento

As superfícies de metal vêm protegidas de fábrica com um revestimento contra corrosão. Este revestimento de proteção desaparece na primeira colocação em funcionamento.

Devido ao processo de fabrico, o soprador de ar quente pode apresentar descolorações no bico **(1)**. Não se trata de danos, a função do soprador de ar quente não fica limitada.

Selecionar o nível de potência

Com o ajuste do nível de potência **(3)** pode selecionar entre 2 diferentes níveis de potência. Ao comutar, a luz de trabalho LED pisca brevemente:

- Nível 300 °C
Com este nível pode, p. ex. descongelar tubos de água ou processar mangas retráteis. Depois de ligar soprador, esta temperatura é alcançada em menos de 6 s. Com uma bateria de 8 Ah totalmente carregada o tempo de funcionamento é de até 21 min.
- Nível 500 °C
Com este nível pode, p. ex. remover vernizes ou efetuar uma brasagem fraca.

Os dados acerca da duração de aquecimento referem-se a medições à temperatura ambiente.

Ligar

Para **ligar** prima primeiro o interruptor de desbloqueio **(4)** e a seguir o Interruptor de ligar/desligar **(5)**. Depois do arranque pode soltar o interruptor de desbloqueio **(4)**, o interruptor de desbloqueio **(4)** não tem de continuar a ser premido durante o funcionamento.

Ao iniciar o soprador de ar quente, a luz de trabalho LED (6) liga-se e ilumina a área de trabalho.

Desligar

Para desligar solte o interruptor de ligar/desligar (5).

Pouse o soprador de ar quente sobre a bateria (9), para que arrefeça.

Proteção contra re arranque involuntário

Se a bateria (9) for removida com o soprador de ar quente a funcionar e voltar a ser colocada com o Interruptor de ligar/desligar (5) pressionado, a proteção contra arranque involuntário é ativada. A luz de trabalho LED (6) pisca e o soprador de ar quente não arranca.

Liberte o interruptor de ligar/desligar (5) e volte a ligar o soprador de ar quente para continuar a trabalhar.

Proteção contra sobrecarga para a bateria

Se a bateria (9) ficar muito quente durante o funcionamento, a potência é reduzida. A luz de trabalho LED (6) pisca devagar, enquanto o interruptor de ligar/desligar (5) é premido.

Se o soprador de ar quente continuar a ser usado e a temperatura da bateria continuar a subir, o soprador de ar quente desliga-se automaticamente.

Potência reduzida

O soprador de ar quente é compatível com todas as baterias de 18 V Bosch Professional disponíveis.

No funcionamento do soprador de ar quente com baterias inferiores aos 4 Ah recomendados, o soprador de ar quente não alcança capacidade total de potência no nível 500 °C (a temperatura não é alcançada e o caudal de ar é reduzido). Para mostrar que o soprador de ar quente está a trabalhar com potência reduzida, a luz de trabalho LED (6) pisca várias vezes em ciclo lento quando se liga.

Indicadores LED

A luz de trabalho LED (6) também é usada como indicador LED de estado.

Resposta via LED	Descrição de eventos
Breve pisar	Alteração da temperatura
Piscar várias vezes ao iniciar o soprador de ar quente	Potência reduzida (uso de bateria < 4 Ah)
Piscar em ritmo lento, enquanto o interruptor de ligar/desligar (5) é pressionado	Proteção contra re arranque involuntário Proteção contra sobrecarga para a bateria
Piscar em ritmo rápido, enquanto o interruptor de ligar/desligar (5) é pressionado	Erro interno

Se for indicado de forma permanente um erro no soprador de ar quente (o soprador de ar quente não arranca ou desliga-se, se já estiver em funcionamento), entre em contacto com o serviço de assistência técnica.

Instruções de trabalho

Nota: Não aproxime muito o bico (1) da peça de trabalho. A acumulação de ar resultante pode causar o sobreaquecimento do soprador de ar quente.

Remover a proteção térmica

Para trabalhos em locais particularmente estreitos pode retirar a proteção térmica (2) rodando-a.

► **Cuidado, o bico está quente!** Nos trabalhos sem proteção térmica aumenta o perigo de queimaduras.

Para remover ou colocar a proteção térmica (2) desligue o soprador de ar quente e deixe-o arrefecer.

Exemplos de trabalho (ver figuras A-D)

As figuras com os exemplos de trabalho encontram-se nas páginas de gráficos.

A distância entre o bico e a peça deve ser definida em função do material a processar (metal, plástico, etc.) e o tipo de processamento a usar.

A temperatura ideal para a respetiva aplicação pode ser determinada através de uma tentativa prática.

Efetue primeiro um teste relativamente ao caudal de ar e à temperatura. Comece com uma distância maior e um nível de potência reduzido. Depois ajuste a distância e o nível de potência de acordo com o necessário.

Se não tiver a certeza qual o material que processa e qual o efeito do ar quente no material, então teste o efeito numa parte escondida.

Pode trabalhar sem acessórios em todos os exemplos de trabalho. A utilização dos acessórios recomendados facilita no entanto o trabalho e aumenta substancialmente a qualidade dos resultados de trabalho.

Para este soprador de ar quente pode usar todos os bicos disponíveis na **Bosch** como acessórios.

► **Cuidado ao mudar de bico! Não toque no bico quente. Deixe o soprador de ar quente arrefecer e use luvas de proteção durante a troca.** Poderá queimar-se no bico quente.

Retrair (ver figura A)

Coloque o bico refletor (12) (acessórios). Selecione o diâmetro da manga retrátil (14) (acessórios) adequada para a peça. Aqueça a manga retrátil, até a mesma ficar justa à peça.

Remover verniz/soltar adesivo (ver figura B)

Coloque o bico espalhador (10) (acessórios). Amoleça o verniz brevemente com ar quente e remova-o com uma espátula limpa. Um efeito de calor prolongado queima o verniz e dificulta a remoção.

Muitos materiais adesivos ficam moles com o calor. Com a cola aquecida pode separar uniões ou remover cola excessiva.

Descongela tubulações de água (ver figura C)

► **Antes de aquecer verifique se se trata mesmo de uma tubulação de água.** Frequentemente a distinção externa entre tubulações de água e de gás é muito difícil.

Tubulações de gás não devem ser aquecidas de modo algum.

Coloque o bico angular **(11)** (acessórios). Aqueça locais congelados de preferência no sentido de alimentação.

Os tubos de plástico e as uniões entre os tubos devem ser aquecidos com cuidado especial para evitar danos.

Brasagem fraca (ver figura D)

Coloque o bico de redução **(13)** (acessório).

Se usar uma solda sem fluxo de soldagem, aplique pasta de soldar no local a soldar. Aqueça o local a soldar e adicione a solda. A solda tem de derreter com a temperatura da peça. Se necessário, depois de arrefecido o local a soldar, retire o fluxo de soldagem.

Manutenção e assistência técnica

Manutenção e limpeza

- ▶ **A bateria deverá ser retirada antes de todos os trabalhos no soprador de ar quente (p. ex. manutenção, troca de ferramenta etc.) e antes de transportar ou de armazenar o mesmo.**
- ▶ **Manter o soprador de ar quente e as aberturas de ventilação sempre limpos, para trabalhar bem e de forma segura.**

Serviço pós-venda e aconselhamento

O serviço pós-venda responde às suas perguntas a respeito de serviços de reparação e de manutenção do seu produto, assim como das peças sobressalentes. Desenhos explodidos e informações acerca das peças sobressalentes também em: **www.bosch-pt.com**

A nossa equipa de consultores Bosch esclarece com prazer todas as suas dúvidas a respeito dos nossos produtos e acessórios.

Indique para todas as questões e encomendas de peças sobressalentes a referência de 10 dígitos de acordo com a placa de características do produto.

Brasil

Robert Bosch Ltda. – Divisão de Ferramentas Elétricas
 Rodovia Anhanguera, Km 98 - Parque Via Norte
 13065-900, CP 1195
 Campinas, São Paulo
 Tel.: 0800 7045 446
 www.bosch.com.br/contato

Encontra outros endereços da assistência técnica em:
 www.bosch-pt.com/serviceaddresses

Transporte

As baterias de íons de lítio, contidas, estão sujeitas ao direito de materiais perigosos. As baterias podem ser transportadas na rua pelo utilizador, sem mais obrigações.

Na expedição por terceiros (por ex: transporte aéreo ou expedição), devem ser observadas as especiais exigências quanto à embalagem e à designação. Neste caso é

necessário consultar um especialista de materiais perigosos ao preparar a peça a ser trabalhada.

Só enviar baterias se a carcaça não estiver danificada. Colar contactos abertos e embalar a bateria de modo que não possa se movimentar dentro da embalagem. Por favor observe também eventuais diretivas nacionais suplementares.

Eliminação



O soprador de ar quente, as baterias, os acessórios e as embalagens devem ser reciclados de forma ambientalmente correta.



Não deite o soprador de ar quente nem as baterias/pilhas no lixo doméstico!

Baterias/pilhas:

Lítio:

Observar as indicações no capítulo Transporte (ver "Transporte", Página 18).

Español

Indicaciones de seguridad



Lea íntegramente estas indicaciones de seguridad e instrucciones. Las faltas de observación de las indicaciones de seguridad y de las instrucciones pueden causar descargas eléctricas, incendios y/o lesiones graves.

Guardar todas las advertencias de peligro e instrucciones para futuras consultas.

- ▶ **Este soplador de aire caliente no está previsto para la utilización por niños y personas con limitadas capacidades físicas, sensoriales o intelectuales o con falta de experiencia y conocimientos. Este soplador de aire caliente puede ser utilizado por niños desde 8 años y por personas con limitadas capacidades físicas, sensoriales e intelectuales o con falta de experiencia y conocimientos siempre y cuando estén vigilados por una persona responsable de su seguridad.**

dad o hayan sido instruidos en la utilización segura del soplador de aire caliente y entendido los peligros inherentes. En caso contrario, existe el riesgo de un manejo incorrecto y lesiones.

- ▶ **Vigile a los niños durante la utilización, la limpieza y el mantenimiento.** Así se asegura, que los niños no jueguen con el soplador de aire caliente.
- ▶ **Trate con cuidado el soplador de aire caliente.** El soplador de aire caliente genera fuerte calor, lo que aumenta el peligro de incendio y explosión.
 - ▶ **Tenga especial cuidado cuando trabaje cerca de materiales inflamables.** La corriente de aire caliente o la boquilla caliente pueden encender el polvo o los gases.
 - ▶ **No trabaje con el soplador de aire caliente en entornos con peligro de explosión.**
 - ▶ **No dirija la corriente de aire caliente por un tiempo prolongado sobre un mismo lugar.** Se pueden generar gases fácilmente inflamables p. ej. en el tratamiento de plásticos, pinturas, lacas o materiales semejantes.
 - ▶ **Tenga en cuenta que el calor puede dirigirse a materiales combustibles ocultos y encenderlos.**
 - ▶ **Deposite cuidadosamente el soplador de aire caliente después del uso y déjelo enfriar completamente en los estantes, antes de guardarlo.** La boquilla caliente puede causar daños.
 - ▶ **No deje el soplador de aire caliente conectado sin vigilancia.**
 - ▶ **Guarde los sopladores de aire caliente fuera del alcance de los niños. No permita la utilización del soplador de aire caliente a aquellas personas que no estén familiarizadas con su uso o que no hayan leído estas instrucciones.** Los sopladores de aire caliente utilizados por personas inexpertas son peligrosos.
 - ▶ **Mantenga el soplador de aire caliente alejado de la lluvia o de la humedad.** Existe el riesgo de recibir una descarga eléctrica si penetra agua en el soplador de aire caliente.
 - ▶ **Use siempre unas gafas de protección.** Unas gafas de protección reducen el riesgo de lesiones.
 - ▶ **Retire el acumulador antes de realizar ajustes en el aparato, cambiar accesorios o guardar el soplador de**

aire caliente. Esta medida preventiva evita el riesgo de conexión accidental del soplador de aire caliente.



Ventile bien su puesto de trabajo. Los gases y los vapores que se generan durante el trabajo son a menudo perjudiciales para la salud.

- ▶ **Lleve guantes de protección y no toque la boquilla caliente.** Existe peligro de quemaduras.
- ▶ **No dirija la corriente de aire caliente contra personas ni animales.**
- ▶ **No use el soplador de aire caliente como un secador de pelo.** La corriente de aire que sale es mucho más caliente que la de un secador de pelo.
- ▶ **Preste atención, a que no lleguen cuerpos extraños al soplador de aire caliente.**
- ▶ **La distancia de la boquilla a la pieza de trabajo es dependiente del material a trabajar (metal, plástico, etc.) y el mecanizado proyectado.** Efectúe siempre primero una prueba respecto al caudal de aire y la temperatura.
- ▶ **No intente abrir el acumulador.** Podría provocar un cortocircuito.
- ▶ **En caso de daño y uso inapropiado del acumulador pueden emanar vapores. El acumulador se puede quemar o explotar.** En tal caso, busque un entorno con aire fresco y acuda a un médico si nota molestias. Los vapores pueden llegar a irritar las vías respiratorias.
- ▶ **En el caso de una aplicación incorrecta o con un acumulador dañado puede salir líquido inflamable del acumulador. Evite el contacto con él. En caso de un contacto accidental enjuagar con abundante agua. En caso de un contacto del líquido con los ojos recurra además inmediatamente a un médico.** El líquido del acumulador puede irritar la piel o producir quemaduras.
- ▶ **Mediante objetos puntiagudos, como p. ej. clavos o destornilladores, o por influjo de fuerza exterior se puede dañar el acumulador.** Se puede generar un cortocircuito interno y el acumulador puede arder, humear, explotar o sobrecalentarse.
- ▶ **Si no utiliza el acumulador, guárdelo separado de clips, monedas, llaves, clavos, tornillos o demás objetos metálicos que pudieran puentear sus contactos.** El cortocircuito de los contactos del acumulador puede causar quemaduras o un incendio.
- ▶ **Utilice el acumulador únicamente en productos del fabricante.** Solamente así queda protegido el acumulador contra una sobrecarga peligrosa.
- ▶ **Cargue los acumuladores sólo con cargadores recomendados por el fabricante.** Existe el riesgo de incendio al intentar cargar acumuladores de un tipo diferente al previsto para el cargador.



Proteja la batería del calor excesivo, además de, p. ej., una exposición prolongada al sol, la suciedad, el fuego, el agua o la humedad. Existe riesgo de explosión y cortocircuito.

Descripción del producto y servicio

Por favor, observe las ilustraciones en la parte inicial de las instrucciones de servicio.

Utilización reglamentaria

El soplador de aire caliente ha sido diseñado para conformar y soldar plástico, decapar pintura y para calentar tubos flexibles termocontráctiles. También es adecuado para soldar y estañar, soltar uniones pegadas y para deshelar tuberías de agua.

El soplador de aire caliente está determinado para el uso manual y supervisado.

► **No utilice el soplador de aire caliente en zonas con peligro de explosión, cerca de materiales inflamables o polvos combustibles.**

En México, no aplica para soldar plásticos y estaño, así como descongelación de tuberías

Componentes representados

La numeración de los componentes representados se refiere a la imagen del soplador de aire caliente en la página ilustrada.

- (1) Boquilla
- (2) Protección calorífuga, extraíble
- (3) Ajuste del nivel de potencia
- (4) Interruptor de desbloqueo
- (5) Interruptor de conexión/desconexión
- (6) Luz de trabajo LED
- (7) Indicador del estado de carga del acumulador^{a)}
- (8) Tecla de desenclavamiento del acumulador^{a)}
- (9) Acumulador^{a)}
- (10) Boquilla plana^{a)}
- (11) Boquilla angular^{a)}
- (12) Boquilla reflectora^{a)}
- (13) Boquilla reductora^{a)}
- (14) Tubo flexible termocontráctil^{a)}

a) **Los accesorios descritos e ilustrados no corresponden al material que se adjunta de serie. La gama completa de accesorios opcionales se detalla en nuestro programa de accesorios.**

Datos técnicos

Soplador de aire caliente	GHG 18V-50	
Número de artículo	3 601 BA6 5..	
Tensión nominal	V=	18
máx. caudal de aire	l/min	175
Temperatura en la salida de la boquilla ^{a)}	°C	300/500
Exactitud de medición de temperatura		±10 %

Soplador de aire caliente	GHG 18V-50	
Peso según EPTA-Procedure 01:2014	kg	0,93–2,0 ^{B)}
Medidas (longitud × ancho × altura)	mm	183 × 77 × 209
Temperatura ambiente recomendada durante la carga	°C	0 ... +35
Temperatura ambiente permitida durante el funcionamiento ^{C)} y en el almacenamiento	°C	-20 ... +50
Acumuladores recomendados (desde 4 Ah)		GBA 18V... ProCORE18V...
Cargadores recomendados		GAL 18... GAX 18... GAL 36...

A) a 20 °C de temperatura ambiente

B) Dependiente del acumulador utilizado

C) Potencia limitada a temperaturas <0 °C

Información sobre ruidos y vibraciones

El nivel de presión acústica valorado con A del soplador de aire caliente asciende típicamente a menos de **70 dB(A)**.

Valores totales de vibración a_h (suma vectorial de tres direcciones) e inseguridad K:

$a_h < 2,5 \text{ m/s}^2$, $K = 1,5 \text{ m/s}^2$.

Acumulador

Montaje del acumulador

► **Coloque el acumulador sin ejercer fuerza.** El acumulador se ha construido de tal manera, que sólo se puede introducir en la posición correcta en el soplador de aire caliente.

Desplace el acumulador cargado en el alojamiento del acumulador, hasta que encastre perceptible.

El acumulador de iones de litio está protegido contra descarga total gracias al sistema de protección electrónica de celdas "Electronic Cell Protection (ECP)". Si el acumulador está descargado, un circuito protector se encarga de desconectar el soplador de aire caliente.



Observe las indicaciones referentes a la eliminación.

Desmontaje del acumulador

Para la extracción del acumulador, presione la tecla de desenclavamiento y retire el acumulador. **No proceda con brusquedad.**

Indicador del estado de carga del acumulador

Los LEDs verdes del indicador del estado de carga del acumulador indican el estado de carga del acumulador. Por motivos de seguridad, la consulta del estado de carga es solo posible con el soplador de aire caliente inactivo.

Presione la tecla del indicador de estado de carga  o , para indicar el estado de carga. Esto también es posible con el acumulador desmontado.

Si tras presionar la tecla del indicador de estado de carga no se enciende ningún LED, significa que el acumulador está defectuoso y debe sustituirse.

Tipo de acumulador GBA 18V...



Diodo luminoso (LED)	Capacidad
Luz permanente 3 × verde	60–100 %
Luz permanente 2 × verde	30–60 %
Luz permanente 1 × verde	5–30 %
Luz intermitente 1 × verde	0–5 %

Tipo de acumulador ProCORE18V...



Diodo luminoso (LED)	Capacidad
Luz permanente 5 × verde	80–100 %
Luz permanente 4 × verde	60–80 %
Luz permanente 3 × verde	40–60 %
Luz permanente 2 × verde	20–40 %
Luz permanente 1 × verde	5–20 %
Luz intermitente 1 × verde	0–5 %

Operación

Puesta en marcha

- **Retire el acumulador antes de cambiar accesorios o guardar el soplador de aire caliente.** Esta medida preventiva evita el riesgo de conexión accidental del soplador de aire caliente.

Generación de humo en la primera puesta en servicio

Las superficies metálicas están protegidas contra la corrosión con un revestimiento de fábrica. Esta capa protectora se evapora en la primera puesta en servicio.

Debido al proceso de fabricación, el soplador de aire caliente puede presentar decoloraciones en la boquilla (1). En este caso no se trata de daños, la función del soplador de aire caliente no se ve afectada.

Seleccionar el nivel de potencia

Con el ajuste del nivel de potencia (3) puede elegir entre 2 niveles de potencia diferentes. Al conmutar, la luz de trabajo LED parpadea brevemente:

- Nivel de 300 °C
Con este nivel puede p. ej. descongelar tuberías de agua o tratar tubos flexible termocontráctiles. Tras la conexión, la temperatura se alcanza en menos de 6 s. Con un acumu-

lador de 8 Ah completamente cargado, el tiempo de funcionamiento es de hasta 21 min.

- Nivel de 500 °C
Con este nivel puede p. ej. decapar pinturas o soldar con estaño.

Las indicaciones sobre el tiempo de calentamiento se refieren a mediciones a temperatura ambiente.

Conexión

Para **conectar**, presione primero el interruptor de desbloqueo (4) y luego el interruptor de conexión/desconexión (5). Tras el arranque puede soltar el interruptor de desbloqueo (4); el interruptor de desbloqueo (4) no se necesita seguir presionando durante el funcionamiento.

Al arrancar el soplador de aire caliente, la luz de trabajo LED (6) se enciende e ilumina la zona de trabajo.

Desconexión

Para la desconexión suelte el interruptor de conexión/desconexión (5).

Coloque el soplador de aire caliente sobre el acumulador (9), para dejar que se enfríe.

Protección contra re arranque

Si se retira el acumulador (9) del soplador de aire caliente durante el funcionamiento y se vuelve a colocar mientras el interruptor de conexión/desconexión (5) sigue presionado, se activa la protección contra re arranque. La luz de trabajo LED (6) parpadea y el soplador de aire caliente no se pone en marcha.

Suelte el interruptor de conexión/desconexión (5) y conecte luego el soplador de aire caliente como de costumbre.

Protección contra sobrecalentamiento para el acumulador

Si el acumulador (9) se calienta demasiado durante el funcionamiento, se reduce la potencia. La luz de trabajo LED (6) parpadea lentamente mientras el interruptor de conexión/desconexión (5) está pulsado.

Si el soplador de aire caliente se sigue utilizando y la temperatura de la batería sigue aumentando, el soplador de aire caliente se autodesconecta.

Potencia reducida

El soplador de aire caliente es compatible con todos los acumuladores disponibles de 18 V de Bosch Professional.

Sin embargo, al utilizar el soplador de aire caliente con acumuladores más pequeños que los 4 Ah recomendados, el soplador de aire caliente no alcanza la plena capacidad de rendimiento a nivel de 500 °C (la temperatura no se alcanza y el caudal de aire se reduce). Para indicar que el soplador de aire caliente sólo funciona a potencia reducida, la luz de trabajo LED (6) parpadea varias veces a un ritmo lento al conectarlo.

Indicador LED

La luz de trabajo LED (6) también se utiliza como indicador LED de estado.

Respuesta a través de LED	Descripción del acontecimiento
Destello breve	Modificación de la temperatura
Parpadeo repetido al arrancar el soplador de aire caliente	Potencia reducida (utilización de acumulador < 4 Ah)
Parpadeo en un ciclo lento mientras se pulsa el interruptor de conexión/desconexión (5)	Protección contra rearmar que Protección contra sobrecalentamiento para el acumulador
Parpadeo en un ciclo rápido mientras se pulsa el interruptor de conexión/desconexión (5)	Fallo interno

Si aparece permanentemente un fallo interno en el soplador de aire caliente (el soplador de aire caliente no se pone en marcha o se desconecta cuando ya está en funcionamiento), por favor, diríjase al servicio de atención al cliente.

Instrucciones para la operación

Indicación: No acerque demasiado la boquilla (1) a la pieza de trabajo a mecanizar. El estancamiento de aire resultante puede llegar a sobrecalentar el soplador de aire caliente.

Desmontaje de la protección térmica

Para los trabajos en lugares muy estrechos se puede quitar la protección térmica (2) girándola.

► **¡Cuidado con la boquilla caliente!** Al trabajar sin la protección térmica existe un mayor peligro de quemadura.

Para quitar o colocar la protección térmica (2) desconecte el soplador de aire caliente y déjelo que se enfríe.

Ejemplos para el trabajo (ver figuras A-D)

Las figuras correspondientes a los ejemplos de trabajo las encontrará en las páginas ilustradas.

La distancia de la boquilla a la pieza de trabajo es dependiente del material a trabajar (metal, plástico, etc.) y el mecanizado proyectado.

La temperatura óptima para la respectiva aplicación puede determinarse mediante un experimento práctico.

Efectúe siempre primero una prueba respecto al caudal de aire y la temperatura. Comience con una mayor distancia y un nivel bajo de potencia. A continuación, ajuste la distancia y el nivel de potencia según sea necesario.

Si no está seguro, cual es el material que está trabajando o cómo es el efecto del soplador de aire caliente sobre el material, pruebe el efecto en un lugar oculto.

Puede trabajar sin accesorios en todos los ejemplos de trabajo. Sin embargo, al emplear los accesorios especiales propuestos, la ejecución del trabajo se simplifica y se aumenta considerablemente su calidad.

Puede utilizar todas las boquillas disponibles como accesorios donde **Bosch** para este soplador de aire caliente.

► **¡Tenga cuidado al cambiar las boquillas! No toque la boquilla caliente. Permita que el soplador de aire caliente se enfríe y use guantes de protección al realizar el cambio.** Podría quemarse con la boquilla caliente.

Contracción (ver figura A)

Coloque la boquilla reflectora (12) (accesorio). Elija el diámetro del tubo flexible termocontráctil (14) (accesorio) adecuado para la pieza de trabajo. Caliente el tubo flexible termocontráctil uniformemente, hasta que quede ceñido a la pieza de trabajo.

Decapado de pintura/desprendimiento de adhesivo (ver figura B)

Coloque la boquilla plana (10) (accesorio). Ablande la pintura brevemente con aire caliente y despéguela con una espátula limpia. Una acción de calor prolongada quema la pintura y dificulta la eliminación.

Muchos adhesivos se ablandan por la acción de calor. Si el pegamento está caliente, puede separar las uniones adhesivas o eliminar el exceso de pegamento.

Descongelación de tuberías de agua (ver figura C)

► **Compruebe antes del calentamiento, si se trata realmente de una tubería de agua.** Con frecuencia no es posible diferenciar exteriormente entre tuberías de gas y de agua. Jamás deberán calentarse tuberías de gas.

Coloque la boquilla angular (11) (accesorio). Preferiblemente, caliente las zonas congeladas desde el desagüe hacia la afluencia.

Caliente con especial cuidado los tubos de plástico y las uniones de los tubos, para no dañarlos.

Soldadura con estaño (ver figura D)

Coloque la boquilla reductora (13) (accesorio).

Si emplea estaño sin fundente aplique pasta o grasa de soldar al punto de soldadura. Caliente el punto de soldadura blanda y añada la soldadura. El estaño deberá fundirse por la propia temperatura que ha adquirido la pieza de trabajo. Si procede, elimine los restos de fundente una vez que se haya enfriado el punto de soldadura.

Mantenimiento y servicio

Mantenimiento y limpieza

► **Desmante el acumulador del soplador de aire caliente antes de cualquier trabajo en el mismo (p. ej. en el mantenimiento, cambio de útil, etc.) así como al transportarlo y guardarlo.**

► **Mantenga limpia el soplador de aire caliente y las rejillas de refrigeración para trabajar con eficacia y seguridad.**

Servicio técnico y atención al cliente

El servicio técnico le asesorará en las consultas que pueda Ud. tener sobre la reparación y mantenimiento de su producto, así como sobre piezas de recambio. Las representaciones gráficas tridimensionales e informaciones de repuestos

se encuentran también bajo: www.bosch-pt.com

El equipo asesor de aplicaciones de Bosch le ayuda gustosamente en caso de preguntas sobre nuestros productos y sus accesorios.

Para cualquier consulta o pedido de piezas de repuesto es imprescindible indicar el nº de artículo de 10 dígitos que figura en la placa de características del producto.

México

Robert Bosch S. de R.L. de C.V.
Calle Robert Bosch No. 405
C.P. 50071 Zona Industrial, Toluca - Estado de México
Tel.: (52) 55 528430-62
Tel.: 800 6271286
www.bosch-herramientas.com.mx

Direcciones de servicio adicionales se encuentran bajo:

www.bosch-pt.com/serviceaddresses

Transporte

Los acumuladores de iones de litio incorporados están sujetos a los requerimientos estipulados en la legislación sobre mercancías peligrosas. Los acumuladores pueden ser transportados por carretera por el usuario sin más imposiciones. En el envío por terceros (p.ej., transporte aéreo o por agencia de transportes) deberán considerarse las exigencias especiales en cuanto a su embalaje e identificación. En este caso deberá recurrirse a los servicios de un experto en mercancías peligrosas al preparar la pieza para su envío.

Únicamente envíe acumuladores si su carcasa no está dañada. Si los contactos no van protegidos cúbralos con cinta adhesiva y embale el acumulador de manera que éste no se pueda mover dentro del embalaje. Observe también las prescripciones adicionales que pudieran existir al respecto en su país.

Eliminación



El soplador de aire caliente, los acumuladores, los accesorios y los embalajes deberán someterse a un proceso de recuperación que respete el medio ambiente.



¡No elimine los sopladores de aire caliente ni los acumuladores/las pilas con la basura doméstica!

Acumuladores/pilas:

Iones de Litio:

Por favor, observe las indicaciones en el apartado Transporte (ver "Transporte", Página 23).



El símbolo es solamente válido, si también se encuentra sobre la placa de características del producto/fabricado.

Português do Brasil

Indicações de segurança



Ler todas as indicações de segurança e instruções. O desrespeito das advertências e das instruções apresentadas abaixo pode causar choque elétrico, incêndio e/ou graves lesões.

Guarde todas as indicações de segurança e as instruções para futuras consultas.

- ▶ **Este soprador térmico não é indicado para uso por crianças e pessoas com capacidades físicas, sensoriais ou mentais reduzidas ou com pouca experiência e conhecimento. Este soprador térmico pode ser usado por crianças a partir dos 8 anos e pessoas com capacidades físicas, sensoriais ou mentais reduzidas ou com pouca experiência e conhecimento, se forem vigiadas por uma pessoa responsável pela sua segurança ou se tiverem sido instruídas acerca do manuseio seguro do soprador térmico e compreenderem os perigos provenientes do mesmo.** Caso contrário, existe o perigo de utilização errada e ferimentos.
- ▶ **Vigie crianças durante o uso, a limpeza e a manutenção,** para se assegurar que elas não brinquem com o soprador térmico.
- ▶ **Manuseie o soprador térmico com cuidado.** O soprador térmico gera um calor forte, aumentando o risco de incêndio e explosão.

- ▶ **Seja particularmente cuidadoso ao trabalhar perto de materiais combustíveis.** O fluxo de ar quente ou o bocal quente podem inflamar poeira ou gases.
- ▶ **Não trabalhe com o soprador térmico em áreas com risco de explosão.**
- ▶ **Não oriente o fluxo de ar quente para o mesmo local por um longo período de tempo.** Podem formar-se gases altamente inflamáveis por ex. no processamento de plásticos, tintas, vernizes ou materiais similares.
- ▶ **Tenha em conta que o calor pode ser direcionado para materiais combustíveis ocultos e inflamáveis.**
- ▶ **Após o uso, coloque o soprador térmico corretamente sobre a superfície de apoio e deixe esfriar completamente antes de guardá-lo.** O bocal quente pode causar danos.
- ▶ **Não deixe o soprador térmico ligado sem vigilância.**
- ▶ **Guarde sopradores térmicos que não estão em uso fora do alcance de crianças. Não permita que pessoas que não estejam familiarizadas com o soprador térmico ou que não tenham lido estas instruções, utilizem o aparelho.** Os sopradores térmicos são perigosos se forem utilizados por pessoas inexperientes.
- ▶ **Mantenha o soprador térmico longe de água e umidade.** A infiltração de água em um soprador térmico aumenta o risco de um choque elétrico.
- ▶ **Use sempre óculos de proteção.** Os óculos de proteção reduzem o risco de lesões.
- ▶ **Remova a bateria antes de efetuar ajustes na ferramenta, trocar acessórios ou arrumar o soprador térmico.** Esta medida de segurança evita o arranque involuntário do soprador térmico.



Ventile bem o seu local de trabalho. Os gases e vapores do trabalho são frequentemente prejudiciais para a saúde.

- ▶ **Use luvas de proteção e não toque no bocal quente.** Existe perigo de queimadura.
- ▶ **Não dirija o fluxo de ar quente para pessoas ou animais.**
- ▶ **Não use o soprador térmico como secador de cabelo.** O fluxo de ar quente que sai é muito mais quente do que de um secador de cabelo.
- ▶ **Certifique-se de que nenhum objeto estranho entra no soprador térmico.**
- ▶ **A distância entre o bocal e a peça de trabalho depende do material a ser trabalhado (metal, plástico, etc.) e o tipo de processamento pretendido.** Execute sempre primeiro um teste de volume e temperatura do ar.
- ▶ **Não abra a bateria.** Existe perigo de curto-circuito.
- ▶ **Em caso de danos e de utilização incorreta da bateria, podem escapar vapores. A bateria pode incendiar-se ou explodir.** Arejar bem o local de trabalho e consultar um médico se forem constatados quaisquer sintomas. Os vapores podem irritar as vias respiratórias.

- ▶ **Em caso de uma utilização errada ou bateria danificada pode sair líquido inflamável da bateria. Evite o contato com o líquido. Em caso de contato inadvertido com o líquido lave com água. Se o líquido entrar em contato com os olhos procure adicionalmente ajuda médica.** O líquido que sai da bateria pode causar irritações na pele ou queimaduras.
- ▶ **A bateria pode ser danificada com objetos pontiagudos como p. ex. prego ou chave de parafusos ou devido à influência de força externa.** Pode ocorrer um curto-circuito interno e a bateria pode arder, deitar fuma, explodir ou sobreaquecer.
- ▶ **Mantenha a bateria longe de cliques de escritório, moedas, chaves, pregos, parafusos ou outros pequenos objetos de metal que possam pontear os contatos.** Um curto-circuito dos contatos da bateria pode causar queimaduras ou incêndio.
- ▶ **Usar a bateria apenas em produtos do fabricante.** Só assim é que a bateria fica protegida contra sobrecarga perigosa.
- ▶ **Só carregar as baterias em carregadores recomendados pelo fabricante.** Existe perigo de incêndio se um carregador destinado a um tipo de bateria for usado para outro tipo de bateria.



Proteja a bateria do calor, p. ex. radiação solar permanente, fogo, sujeira, água e umidade. Há risco de explosão ou de um curto-circuito.

Descrição do produto e especificações

Respeitar as ilustrações na parte da frente do manual de instruções.

Utilização adequada

O soprador térmico destina-se à moldagem e soldagem de plásticos, remoção de tintas e aquecimento de tubos de encolhimento. Também é adequado para soldar e estancar, dissolver juntas adesivas e descongelar tubos de água.

O soprador térmico é para uso manual, sob vigilância.

- ▶ **Não use o soprador térmico em áreas potencialmente explosivas, próximo de materiais inflamáveis ou poeira combustível.**

Componentes ilustrados

A numeração dos componentes ilustrados se refere à apresentação do soprador térmico na página de gráfico.

- (1) Bocal
- (2) Proteção térmica, removível
- (3) Ajuste do nível de potência
- (4) Trava de desbloqueio
- (5) Interruptor de ligar/desligar
- (6) Luz de trabalho LED

- (7) Indicador do nível de carga da bateria^{a)}
- (8) Botão de destravamento da bateria^{a)}
- (9) Bateria^{a)}
- (10) Bocal plano^{a)}
- (11) Bocal angular^{a)}
- (12) Bocal refletor^{a)}
- (13) Bocal redutor^{a)}
- (14) Tubo de encolhimento^{a)}

a) **Acessórios apresentados ou descritos não pertencem ao volume de fornecimento. Todos os acessórios encontram-se no nosso catálogo de acessórios.**

Dados técnicos

Soprador térmico		GHG 18V-50
Número de produto		3 601 BA6 5..
Tensão nominal	V=	18
Volume de ar máx.	l/min	175
Temperatura na saída do bocal ^{A)}	°C	300/500
Precisão na medição da temperatura		±10%
Peso de acordo com EPTA-Procedure 01:2014	kg	0,93-2,0 ^{B)}
Dimensões (comprimento × largura × altura)	mm	183 × 77 × 209
Temperatura ambiente recomendada ao carregar	°C	0 ... +35
Temperatura ambiente admissível durante o funcionamento ^{C)} e durante o armazenamento	°C	-20 ... +50
Baterias recomendadas (a partir de 4 Ah)		GBA 18V... ProCORE18V...
Carregadores recomendados		GAL 18... GAL 18... GAL 36...

A) A 20 °C temperatura ambiente

B) depende da bateria utilizada

C) potência limitada a temperaturas <0 °C

Informação sobre ruídos/vibrações

Tipicamente o nível pressão sonora ponderado em «A» do soprador térmico é normalmente inferior a **70 dB(A)**.

Valores totais de vibração a_h (soma dos vetores de três direções) e incerteza K:

$a_h < 2,5 \text{ m/s}^2$, $K = 1,5 \text{ m/s}^2$.

Bateria

Colocar a bateria

- ▶ **Não aplique força ao inserir a bateria.** A bateria foi desenvolvida de forma a poder ser inserida no soprador térmico apenas na posição correta.

Empurre a bateria para o respectivo alojamento até que a bateria esteja engatada.

A bateria de íons de lítio está protegida contra descarga profunda através da «Electronic Cell Protection (ECP)». Quando a bateria fica descarregada, o soprador térmico desliga através do desligamento de proteção.



Observar a indicação sobre a eliminação de forma ecológica.

Remover a bateria

Para retirar a bateria, pressione o botão de destravamento e retire a bateria para fora. **Ao fazê-lo, não aplique força.**

Indicador do nível de carga da bateria

Os LEDs verdes do indicador do nível de carga da bateria mostram o nível de carga da bateria. Por motivos de segurança, a consulta do nível de carga só é possível com o soprador térmico parado.

Pressione a tecla para o indicador do nível de carga  ou  para exibir o nível de carga. Isto também é possível com a bateria removida.

Se depois de pressionar a tecla para o indicador do nível de carga não acender nenhum LED, a bateria tem defeito ou deve ser substituída.

Tipo de bateria GBA 18V...



LED	Capacidade
Luz permanente 3 × verde	60–100 %
Luz permanente 2 × verde	30–60 %
Luz permanente 1 × verde	5–30 %
Luz intermitente 1 × verde	0–5 %

Tipo de bateria ProCORE18V...



LED	Capacidade
Luz permanente 5 × verde	80–100 %
Luz permanente 4 × verde	60–80 %
Luz permanente 3 × verde	40–60 %
Luz permanente 2 × verde	20–40 %
Luz permanente 1 × verde	5–20 %
Luz intermitente 1 × verde	0–5 %

Funcionamento

Colocando em funcionamento

- ▶ **Remova a bateria antes de trocar acessórios ou arrumar o soprador térmico.** Esta medida de segurança evita o arranque involuntário do soprador térmico.

Desenvolvimento de fumaça durante a colocação em funcionamento

As superfícies metálicas são protegidas de fábrica contra corrosão com um revestimento. Este revestimento protetor evapora durante a primeira colocação em funcionamento. O soprador térmico pode apresentar descolorações no bocal (1) devido ao processo de fabricação. Neste caso não se trata de danos, o funcionamento do soprador térmico não é afetado.

Selecionar nível de potência

Com o ajuste do nível de potência (3) pode selecionar entre 2 níveis de potência diferentes. Ao comutar, a luz de trabalho LED pisca por breves instantes:

- Nível de 300 °C
Com este nível pode, p. ex., descongelar tubos de água ou processar tubos de encolhimento. Após a ligação, esta temperatura é alcançada em menos de 6 s. Com uma bateria de 8 Ah totalmente carregada, a autonomia de funcionamento é de até 21 min.
- Nível de 500 °C
Com este nível pode, p. ex., remover vernizes ou fazer solda macia.

As indicações relativas à duração de aquecimento dizem respeito a medições à temperatura ambiente.

Ligar

Para **ligar** pressione primeiro a trava de desbloqueio (4) e depois o interruptor de ligar/desligar (5). Após a ligar é possível soltar a trava de desbloqueio (4), a trava de desbloqueio (4) não tem de continuar a ser pressionada durante o funcionamento.

Quando o soprador térmico inicia, a luz de trabalho LED (6) liga-se e ilumina a área de trabalho.

Desligar

Para desligar solte o interruptor de ligar/desligar (5). Desconecte o soprador térmico na bateria (9), para o deixar esfriar.

Proteção contra reaquecimento involuntário

Se a bateria (9) for retirada do soprador térmico durante o funcionamento e novamente inserida com o interruptor de ligar/desligar (5) pressionado, a proteção contra reaquecimento involuntário é ativada. A luz de trabalho LED (6) pisca e o soprador térmico não arranca.

Solte o interruptor de ligar/desligar (5) e ligue a seguir o soprador térmico da forma habitual.

Proteção contra sobreaquecimento para a bateria

Se a bateria (9) ficar demasiado quente durante o funcionamento, a potência é reduzida. A luz de trabalho LED (6) pisca lentamente enquanto o interruptor de ligar/desligar (5) for pressionado.

Se o soprador térmico continuar a ser operado e a temperatura da bateria continuar a subir, o soprador térmico se desliga automaticamente.

Potência reduzida

O soprador térmico é compatível com todas as baterias disponíveis de 18 V Bosch Professional.

Se o soprador térmico for operado com baterias menores do que as de 4 Ah recomendadas, o soprador térmico não alcança a sua capacidade plena no nível de 500 °C (a temperatura não é alcançada e o volume de ar é reduzido). Para indicar que o soprador térmico está operando com a potência reduzida, a luz de trabalho LED (6) pisca lentamente várias vezes ao ligar.

Indicações LED

A luz de trabalho LED (6) também é utilizada como indicação LED de estado.

Resposta através de LED	Descrição do evento
Brevemente intermitente	Alteração da temperatura
Intermitência repetida ao ligar o soprador térmico	Potência reduzida (utilização de bateria < 4 Ah)
Intermitência lenta enquanto o interruptor de ligar/desligar (5) é pressionado	Proteção contra reaquecimento involuntário Proteção contra sobreaquecimento para a bateria
Intermitência rápida enquanto o interruptor de ligar/desligar (5) é pressionado	Erro interno

Se for indicado um erro interno no soprador térmico de forma permanente (o soprador térmico não liga ou se desliga depois de estar em funcionamento), contate o Serviço de Assistência Técnica.

Indicações de trabalho

Nota: Não aproxime demasiado o bocal (1) à peça a trabalhar. O bloqueio do ar resultante pode levar ao sobreaquecimento do soprador térmico.

Retirar a proteção térmica

Para trabalhar em locais muito estreitos, você pode remover a proteção térmica (2) rodando-a.

► **Cuidado com o bocal quente!** Ao trabalhar sem proteção térmica existe elevado perigo de queimadura.

Para retirar ou colocar a proteção térmica (2) desligue o soprador térmico e deixe-o esfriar.

Exemplos de trabalho (ver figuras A-D)

As ilustrações dos exemplos de trabalho podem ser encontradas nas páginas gráficas.

A distância entre o bocal e a peça de trabalho depende do material a ser trabalhado (metal, plástico, etc.) e o tipo de processamento pretendido.

A temperatura otimizada para cada aplicação pode ser averiguada através de um ensaio prático.

Execute sempre primeiro um teste de volume e temperatura do ar. Comece com uma distância maior e um nível de

potência baixo. Vá ajustando a distância e o nível de potência conforme necessário.

Se você não tem certeza qual material você está trabalhando ou qual o efeito do ar quente no material, então teste o efeito em um lugar oculto.

Pode trabalhar sem acessórios em todos os exemplos de trabalhos. No entanto, o uso dos acessórios recomendados simplifica o trabalho e aumenta significativamente a qualidade do resultado.

Com este soprador térmico pode usar todos os bocais disponíveis como acessórios da **Bosch**.

- **Cuidado ao trocar o bocal! Não toque no bocal quente. Deixe o soprador térmico esfriar e use luvas de proteção para efetuar a troca.** Você pode se queimar no bocal quente.

Encolher (ver figura A)

Coloque o bocal refletor (12) (acessório). Selecione o diâmetro do tubo de encolhimento (14) (acessórios) em função da peça a ser trabalhada. Aqueça o tubo de encolhimento uniformemente até o mesmo ficar justo à peça a ser trabalhada.

Remover verniz/soltar cola (ver figura B)

Coloque o bocal plano (10) (acessório). Amoleça brevemente o verniz com ar quente e levante-o com uma espátula limpa. A longa exposição ao calor queima o verniz e dificulta sua remoção.

Muitas colas amolecem com o calor. Com a cola aquecida você pode soltar uniões ou remover cola excessiva.

Descongelar tubos de água (ver figura C)

- **Antes de aquecer, verifique se realmente é um tubo de água.** Muitas vezes não é possível diferenciar por fora se trata de um tubo de água ou de gás. Os tubos de gás não podem ser aquecidos sob circunstância alguma.

Coloque o bocal angular (11) (acessório). Aqueça o local congelado de preferência do lado da entrada para o lado de saída.

Aqueça tubos de plástico, assim como uniões entre peças de tubos com muito cuidado para evitar danos.

Solda macia (ver figura D)

Coloque o bocal redutor (13) (acessórios).

Se você usar solda sem fluxo, coloque graxa de solda ou pasta de solda na união de solda. Aqueça o ponto de solda e insira a solda. A solda tem de derreter com a temperatura da peça de trabalho.

Se necessário, remova o fluxo de solda após o resfriamento do local.

Manutenção e serviço

Manutenção e limpeza

- **Retire a bateria do soprador térmico antes de qualquer trabalho no soprador térmico (p. ex. manutenção, troca de acessório, etc.), assim como para transporte e armazenamento do mesmo.**

- **Mantenha o soprador térmico e as aberturas de ventilação limpas, para trabalhar bem e de forma segura.**

Serviço pós-venda e assistência ao cliente

O serviço pós-venda responde às suas perguntas a respeito de serviços de reparação e de manutenção do seu produto, assim como das peças sobressalentes. Desenhos explodidos e informações sobre peças sobressalentes também em:

www.bosch-pt.com

A nossa equipe de consultores Bosch esclarece com prazer todas as suas dúvidas a respeito dos nossos produtos e acessórios.

Indique em todas as questões ou encomendas de peças sobressalentes impreterivelmente a referência de 10 dígitos de acordo com a placa de características do produto.

Brasil

Robert Bosch Ltda. – Divisão de Ferramentas Elétricas
Rodovia Anhanguera, Km 98 - Parque Via Norte
13065-900, CP 1195
Campinas, São Paulo
Tel.: 0800 7045 446
www.bosch.com.br/contato

Encontre outros endereços da assistência técnica em:

www.bosch-pt.com/serviceaddresses

Transporte

As baterias de lítio incluídas estão em conformidade com os requisitos da regulamentação do transporte de mercadorias perigosas. Os baterias podem ser transportados pelo utilizador, nas vias públicas, sem mais nenhuma obrigação.

No caso de envio através de terceiros (p. ex.: transporte aéreo ou transitário) é necessário respeitar os requisitos especiais para a embalagem e identificação. Neste caso, para a preparação da embalagem é necessário consultar um perito no transporte de mercadorias perigosas.

Só enviar baterias se a carcaça não estiver danificada. Colar contatos abertos e embalar o bateria de modo que não possa se movimentar dentro da embalagem. Por favor observe também eventuais diretrizes nacionais suplementares.

Descarte



Soprador térmico, baterias, acessórios e embalagens devem ser enviados a uma reciclagem ecológica de matérias-primas.



Não descarte o soprador térmico e as baterias/pilhas no lixo doméstico!

Baterias/pilhas:

Lítio:

Por favor, observe as instruções na seção de transporte (ver "Transporte", Página 27).

中文

安全规章



请阅读所有的安全规章和指示。不遵照以下警告和说明会导致电击、着火和/或严重伤害。

应将所有安全规章和指示保存到将来。

- ▶ **儿童和身体、感官或精神上有缺陷或缺乏经验与知识的人员不得使用本本暖风机。对于八岁以上的儿童和身体、感官或精神上有缺陷或缺乏经验与知识的人员，倘若其得到负责其安全的人员监护或接受过监护人有关热风机使用的指导并已了解到可能的危险，则可以使用本热风机。否则会有误操作和人身伤害的危险。**
- ▶ **在使用、清洁和保养时请看管好儿童。确保儿童不会使用本热风机玩耍。**
- ▶ **小心谨慎地使用热风枪。本热风枪会剧烈发热，增加火灾和爆炸危险。**
- ▶ 如果您在周围有可燃材料的环境下工作，要格外小心。高温气流或高温喷嘴可能会将粉尘或气体点燃。
- ▶ 不得在有爆炸危险的环境下使用本热风枪。
- ▶ 不要长时间将高温气流对准同一个位置。例如在加工塑料、颜料、油漆或类似材料时，会产生易燃气体。
- ▶ 请注意，热量会传导到隐蔽位置的可燃材料处并将其点燃。
- ▶ 使用后请将热风枪安全放到存放位置，装进包装带走前应使其表面完全冷却。热喷嘴可能会带来损伤。
- ▶ 本热风枪启动后，不得无人监管。
- ▶ 将闲置不用的热风枪贮存在儿童所及范围之外。并且不要让不熟悉热风枪或对这些说明不了解的人操作本设备。让经验不足的人操作热风枪容易发生意外。
- ▶ 不得将热风枪暴露在雨中或潮湿环境中。水进入热风枪将增加电击危险。
- ▶ 请始终佩戴护目镜。护目镜可降低受伤的风险。

- ▶ **调整设备设置、更换附件或贮存热风枪前，要移除充电电池。这种防护性措施将减少热风枪意外起动的危险。**



确保工作场地通风良好。工作时产生的气体和蒸汽时常会损害健康。

- ▶ **请佩戴保护手套，请勿触摸高温喷嘴。有烫伤危险。**
- ▶ 不得将高温气流对准人或动物。
- ▶ 不得将本热风枪用于吹干头发。它吹出的空气流温度比吹风机吹出的高得多。
- ▶ 注意，不得有异物进入热风枪中。
- ▶ 喷嘴和工件之间的距离取决于待加工的材料（金属、塑料等）和打算使用的加工方法。首先就空气量和温度进行一次测试。
- ▶ 切勿打开充电电池。可能造成短路。
- ▶ 如果充电电池损坏或者未按照规定使用，充电电池中会散发出有毒蒸汽。充电电池可能会燃烧或爆炸。工作场所必须保持空气流通，如果身体有任何不适必须马上就医。蒸汽会刺激呼吸道。
- ▶ 如果充电电池使用不当或者损坏，可能会有易燃的电解液从充电电池中流出。避免与之接触。如果意外碰到，用水冲洗。如果电解液碰到眼睛，还要寻求医疗帮助。从充电电池流出的液体会刺激或灼伤皮肤。
- ▶ 钉子、螺丝刀等尖锐物品或外力作用可能会损坏充电电池。有可能出现内部短路、蓄电池燃烧、发出烟雾、爆炸或过热。
- ▶ 当电池盒不用时，将它远离其他金属物体，例如回形针、硬币、钥匙、钉子、螺钉或其他小金属物体，以防一端与另一端连接。电池端部短路会引起燃烧或火灾。
- ▶ 只能将此充电电池用在制造商的产品中。这样才能确保充电电池不会过载。
- ▶ 请只用制造商推荐的充电器充电。不可以使用针对某些特定蓄电池的充电器，为其它的蓄电池充电，可能引起火灾。



保护充电电池免受高温（例如长期阳光照射）、火焰、脏污、水和湿气的侵害。有爆炸和短路的危险。



产品和性能说明

请注意本使用说明书开头部分的图示。

按照规定使用

本热风枪可以用来弯曲或熔接塑胶，清除旧漆以及替热缩管加温。它也同样适用于钎焊和镀锡、松开粘接以及水管解冻。

本热风枪只能在有人看管的情况下手持使用。

- ▶ 请勿在有爆炸危险的区域，在易燃材料或可燃粉尘附近使用暖风机。

插图上的机件

机件的编号和热风枪详解图上的编号一致。

- (1) 吹嘴
- (2) 隔热装置, 可拆卸
- (3) 功率等级设置
- (4) 解锁开关
- (5) 起停开关
- (6) LED工作灯
- (7) 充电电池电量指示灯^{a)}
- (8) 充电电池的解锁按钮^{a)}
- (9) 充电电池^{a)}
- (10) 扁平喷嘴^{a)}
- (11) 角度喷嘴^{a)}
- (12) 反射器喷嘴^{a)}
- (13) 变径嘴^{a)}
- (14) 收缩软管^{a)}

a) 图表或说明上提到的附件, 并不包含在基本的供货范围中。本公司的附件清单中有完整的附件供应项目。

技术参数

热风枪		GHG 18V-50
物品代码		3 601 BA6 5..
额定电压	伏特=	18
最大风量	升/分钟	175
喷嘴出口上的温度 ^{A)}	摄氏度	300/500
温度测量精度		±10 %
重量符合EPTA-Procedure 01:2014	公斤	0.93-2.0 ^{B)}
尺寸 (长 × 宽 × 高)	毫米	183 × 77 × 209
充电时建议的环境温度	摄氏度	0至+35
工作时间和存放时允许的环境温度 ^{C)}	摄氏度	-20至+50
推荐的充电电池 (4安培小时以上)		GBA 18V... ProCORE18V...
推荐的充电器		GAL 18... GAX 18... GAL 36...

A) 在20摄氏度的环境温度下

B) 视所使用的充电电池而定

C) 温度<0 摄氏度时功率受限

充电电池

安装充电电池

► **装入蓄电池时不要用力过度。** 充电电池的结构决定了它只能在正确的位置才能插入热风枪中。

将充好电的充电电池推入电池座, 直到嵌入。

本锂离子电池配备了电池电子保护装置 "Electronic Cell Protection (ECP)", 可以防止电池过度放

电。充电电池放电时, 热风枪被一个保护回路切断。

请注意有关作废处理的规定。

取出充电电池

如需取下充电电池, 则请按压解锁按钮, 然后拔出充电电池。在此过程中请勿过度用力。

充电电池电量指示灯

充电电池电量指示灯的绿色LED灯显示充电电池的电量。基于安全原因, 只能在热风枪静止时检查充电电池的电量。

按压充电电量指示灯按钮 \odot 或 \square , 来显示充电电量。也可以在充电电池取下时操作。

如果按压充电电量指示灯按键后没有LED灯亮起, 则说明充电电池损坏, 必须进行更换。

充电电池型号GBA 18V...



LED	电量
3个绿灯长亮	60-100 %
2个绿灯长亮	30-60 %
1个绿灯长亮	5-30 %
1个绿灯闪烁	0-5 %

充电电池型号ProCORE18V...



LED	电量
5个绿灯长亮	80-100 %
4个绿灯长亮	60-80 %
3个绿灯长亮	40-60 %
2个绿灯长亮	20-40 %
1个绿灯长亮	5-20 %
1个绿灯闪烁	0-5 %

工作

投入使用

► **更换附件或贮存热风枪前, 要移除充电电池。** 这种防护性措施将减少热风枪意外起动的危险。

首次使用时有烟气形成

出厂时金属表面涂有一层防腐保护层。首次使用时该保护层会蒸发掉。

热风枪的喷嘴(1)可能在生产过程中褪色。此处不涉及损坏, 不会影响热风枪的功能。

选择功率等级

您可以通过功率等级设置(3)在2种不同的功率等级中进行选择。切换等级时LED工作灯会短暂闪烁:

- 300摄氏度等级

您可以利用该等级解冻水管或处理热缩管。接通后不到6秒即可达到该温度。在8安培小时充电电池满电量的情况下，运行时间可达21分钟。

- 500摄氏度等级

您可以利用该等级清除油漆或软焊。

有关加热时长的数据对应于室温下的测量值。

开机

如要**接通**，请先按压解锁开关(4)，接着按压起停开关(5)。启动后可以松开解锁开关(4)，在运行期间不必继续按压解锁开关(4)。

热风枪启动时，LED工作灯(6)会自动接通并照亮工作区域。

关闭

关闭时请松开起停开关(5)。

请将热风枪放到充电电池(9)上，以令其冷却。

重启保护

如果在运行过程中从热风枪中取出充电电池(9)，然后在继续按压起停开关(5)时再次装入，则重启保护激活。LED工作灯(6)闪烁，热风枪不启动。

松开起停开关(5)，之后照常接通热风枪。

充电电池的过热保护

如果充电电池(9)在运行过程中变得过热，则会降低功率。只要按压起停开关(5)，则LED工作灯(6)就缓慢闪烁。

如果继续运行热风枪且充电电池中的温度继续升高，则热风枪会自行关闭。

功率降低

热风枪与所有可购得的充电电池18 V Bosch Professional兼容。

如果用小于所推荐的4安培小时的充电电池运行热风枪，则热风枪达不到500摄氏度等级下的全功率状态（达不到温度，风量降低）。为了显示热风枪是以降低的功率在工作，LED工作灯(6)在接通时会以缓慢的节拍多次闪烁。

LED指示灯

LED工作灯(6)也可用作LED状态指示灯。

关于LED的反馈信息	事件说明
短暂闪烁	温度变化
启动热风枪时多次闪烁	功率降低（使用小于4安培小时的充电电池）
只要按压起停开关(5)，就以缓慢的节拍闪烁	重启保护 充电电池的过热保护
只要按压起停开关(5)，就以快节拍闪烁	内部故障

如果热风枪内持续显示内部故障（热风枪不启动或在运行中关闭），请联系客户服务部门。

工作提示

提示：切勿将喷嘴(1)放到距待加工工件过近的位置上。阻塞的气流会导致热风枪超温。

拆卸隔热装置

在特别狭小的空间内操作时，可转动隔热装置(2)将其拆下。

▶ **小心滚烫的喷嘴！** 不带隔热装置操作时，烫伤危险提高。

取下或装上隔热装置(2)时，请关闭热风枪并让其冷却。

工作范例（参见插图A-D）

插图页上有工作范例的插图。

喷嘴和工件之间的距离取决于待加工的材料（金属、塑料等）和打算使用的加工方法。

通过实际试验来确定各个应用的最佳温度。

首先就空气量和温度进行一次测试。以较远的距离和较低的功率等级开始。根据需要调整距离和功率等级。

如果不确定加工哪种材料或不清楚热风对材料的影响，请在隐蔽的位置对影响进行测试。

您可以在不安装附件的情况下针对所有工作范例进行操作。但是如果安装了本公司推荐的附件，不仅能够减轻工作，更能够提高工作品质。

您可以将从Bosch处作为附件购得的所有喷嘴用于该热风枪。

▶ **更换喷嘴时应小心！请勿触摸高温喷嘴。冷却热风枪并在更换喷嘴时佩戴保护手套。** 您可能被灼烫的吹风管烫伤。

收缩（参见插图A）

装上反射器喷嘴(12)（附件）。选择与工件匹配的收缩软管(14)（附件）直径。均匀地加热收缩软管，直至软管紧贴在工作上。

清除油漆/松脱粘合剂（参见插图B）

装上扁平喷嘴(10)（附件）。用热风短时间软化油漆，然后用干净的刮铲刮除。长时间加热会烧灼油漆，从而难以清除。

许多粘合剂受热时会变软。粘合剂受热后即可断开连接或清除多余的粘合剂。

解冻水管（参见插图C）

▶ **加热前请检查是否确实为水管。** 水管与煤气管在外观上经常难以区分。绝不允许加热煤气管。

装上角度喷嘴(11)（附件）。沿着从出水到进水的方向加热被冻住的位置。

加热塑料管以及两根管的连接处时要特别小心，以免造成损坏。

软焊（参见插图D）

装上变径嘴(13)（附件）。

如果使用未添加助焊剂的焊料，则必须在焊接位置涂抹焊脂或焊膏。加热焊接位置，添加焊料。焊料接触了经过加热的表面便会熔化，等待焊接处冷却后再清除助焊剂。

维修和服务

维护和清洁

- ▶ 在热风枪上进行任何维护的工作（例如维修，更换工具等等），以及搬运、保存热风枪之前都必须从机器中取出蓄电池。
- ▶ 热风枪和通气孔必须随时保持清洁，以确保工作效率和工作安全。

客户服务和应用咨询

本公司顾客服务处负责回答有关本公司产品的修理、维护和备件的问题。备件的展开图纸和信息也可查看：www.bosch-pt.com
博世应用咨询团队乐于就我们的产品及其附件问题提供帮助。

询问和订购备件时，务必提供机器铭牌上标示的10位数物品代码。

中国大陆

博世电动工具（中国）有限公司
中国 浙江省 杭州市
滨江区 滨康路567号
102/1F 服务中心
邮政编码：310052
电话：(0571)8887 5566 / 5588
传真：(0571)8887 6688 x 5566# / 5588#
电邮：bsc.hz@cn.bosch.com
www.bosch-pt.com.cn

制造商地址：

Robert Bosch Power Tools GmbH
罗伯特·博世电动工具有限公司

70538 Stuttgart / GERMANY
70538 斯图加特 / 德国

其他服务地址请见：

www.bosch-pt.com/serviceaddresses

搬运

随着机器一起供货的锂离子充电电池必须符合危险物品法规。使用者无须另外使用保护包装便可以运送该充电电池。

但是如果将它交由第三者运送（例如：寄空运或委托运输公司）则要使用特殊的包装和标示。此时必须向危险物品专家请教有关寄送危险物品的相关事宜。

确定充电电池的外壳未受损后，才可以寄送充电电池。粘好未加盖的触点并包装好充电电池，不可以让充电电池在包装中晃动。必要时也得注意各国有关的法规。

处理废弃物



热风枪、充电电池、附件和包装必须按照环保法规的要求进行回收。



不要将热风枪和充电电池/电池丢入生活垃圾中！

充电电池/电池：

锂离子：

请注意“搬运”段落中的指示（参见“搬运”，页 31）确认设置。

产品中有害物质的名称及含量

部件名称	有害物质					
	铅 (Pb)	汞 (Hg)	镉 (Cd)	六价铬 (Cr ⁺⁶)	多溴联苯 (PBB)	多溴二苯醚 (PBDE)
外壳的金属部分	○	○	○	○	○	○
外壳的非金属部分	○	○	○	○	○	○
机械传动机构	○	○	○	○	○	○
电机组件	○	○	○	○	○	○
控制组件	X	○	○	○	○	○
附件	○	○	○	○	○	○
配件	○	○	○	○	○	○
连接件	○	○	○	○	○	○
电源线* ①	○	○	○	○	○	○
电池系统* ②	X	○	○	○	○	○

本表格依据SJ/T11364的规定编制。

○：表示该有害物质在该部件所有均质材料中的含量均在GB/T 26572规定的限量要求以下。

X：表示该有害物质至少在该部件的某一均质材料中的含量超出GB/T 26572规定的限量要求。且目前业界没有成熟的替代方案，符合欧盟RoHS指令环保要求。

① 适用于采用电源线连接供电的产品。

② 适用于采用充电电池供电的产品。

产品环保使用期限内的使用条件参见产品说明书。

繁體中文

安全注意事項



請詳讀所有安全注意事項和指示。如未遵守安全注意事項與指示，可能導致火災、人員遭受電擊及／或重傷。

請妥善保存所有安全注意事項與指示，以供日後查閱之用。

- ▶ **本熱風機不適合兒童以及身體、感官或心智能力有缺陷，或是缺乏相關經驗及知識的人士使用。8 歲以上兒童以及身體、感官或心智能力有缺陷，或是缺乏相關經驗及知識的人士，只要在他人監督下或接受過如何安全處置此熱風機的指導，並充份瞭解相關危險，即可使用該熱風機。否則可能會造成操作上的錯誤，進而使人員受傷。**
- ▶ **使用、清潔及維修期間，請隨時留意兒童。如此才能確保他們未將本熱風機當做玩具任意玩耍。**
- ▶ **請您謹慎對待此熱風機。本熱風機所散發出來的熱度極高，進一步提高了著火及爆炸的危險性。**
- ▶ **在易燃材料附近作業時，請格外小心。高溫氣流或高溫出風口可能點燃粉塵或氣體。**
- ▶ **請勿在具有爆炸危險的環境中使用本熱風機。**
- ▶ **請勿將高溫氣流長時間對準同一位置吹拂。加工塑膠、顏料、烤漆或其他類似材質時，可能會產生易燃氣體。**
- ▶ **請小心，熱能可能會傳導至隱蔽的可燃材質，進而點燃起火。**

- ▶ **熱風機每次使用完畢後以靠置座朝下的方式穩固地放置在一旁，待工具完全冷卻後再將它收藏起來。出風口的溫度極高，可能造成物品受損。**
- ▶ **不可放任已啟動的熱風機無人看管。**
- ▶ **請將閒置不用的熱風機儲放在兒童所及範圍之外。請勿將本熱風機交付予不熟悉該產品或未細讀本說明書的人員來進行操作。將本熱風機交給未經訓練的人員使用是危險的做法。**
- ▶ **不得將熱風機暴露在雨中或潮濕環境中。水進入熱風機將增加觸電危險。**
- ▶ **請全程佩戴護目鏡。護目鏡可降低受傷風險。**
- ▶ **在進行任何裝置設定、更換配件或貯存熱風機之前，請先取出充電電池。這個預防措施可避免熱風機意外啟動。**



作業區請保持通風良好。作業時所產生的氣體和蒸氣常常是對健康有害。

- ▶ **請戴上防護手套，不要碰觸溫度極高的出風口。可能導致人員灼傷。**
- ▶ **高溫氣流不可以對準人或動物。**
- ▶ **本熱風機不可當作家用吹風機使用。它吹出來的氣流溫度要比家用吹風機高出許多。**
- ▶ **請注意：不得有任何異物進入熱風機。**
- ▶ **請配合加工材質（金屬、塑膠等）及預計進行的加工方式，調整噴管至工件之間的距離。務必先試一下風量和溫度。**
- ▶ **切勿拆開充電電池。可能造成短路。**
- ▶ **如果充電電池損壞了，或者未按照規定使用充電電池，充電電池中會散發出有毒蒸氣。充電電池可能起火或爆炸。工作場所必須保持空氣流通，如果身體有任何不適必須馬上就醫。充電電池散發的蒸氣會刺激呼吸道。**
- ▶ **不當使用或充電電池受損時，充電電池可能會流出可燃液體。請避免接觸。意外沾到時，請用水徹底沖洗。如果液體跑進眼睛裡，請進一步就醫。從電池中滲出的液體可能造成腐蝕或起火。**
- ▶ **尖銳物品（例如釘子或螺絲起子）或是外力皆有可能造成充電電池損壞。進而導致內部短路而發生電池起火、冒煙、爆炸或過熱等事故。**
- ▶ **充電電池不使用時，請讓它遠離迴紋針、硬幣、鑰匙、釘子、螺釘或其他小金屬物體，以免造成兩極相接。電池端點短路會引起燃燒或火災。**
- ▶ **僅可使用產品的原廠充電電池。如此才可依照產品提供過載保護。**
- ▶ **僅能使用製造商規定的充電器進行充電。將適用於某特定電池盒的充電器用於其他電池盒時，可能會造成起火燃燒。**



保護充電電池免受高溫（例如長期日照）、火焰、污垢、水液和濕氣的侵害。有爆炸及短路之虞。



產品和功率描述

請留意操作說明書中最前面的圖示。

依規定使用機器

本熱風槍是設計用於塑膠塑形、去除彩色顏料以及加熱收縮軟管。它亦適合用於鉛焊與鍍錫、鬆開膠合黏接處以及解凍水管。

本熱風槍僅得手持使用，運作時必須有人看守。

▶ **不得將熱風機置於易燃材料或可燃粉塵附近具爆炸危險的範圍裡。**

插圖上的機件

機件的編號和熱風槍詳解圖上的編號一致。

- (1) 吹嘴
- (2) 隔熱套，可拆式
- (3) 效能等級設定
- (4) 解鎖開關
- (5) 起停開關
- (6) LED 工作燈
- (7) 充電電池的電量指示器^{a)}
- (8) 充電電池解鎖按鈕^{a)}
- (9) 充電電池^{a)}
- (10) 扁吹嘴^{a)}
- (11) 彎頭吹嘴^{a)}
- (12) 反射吹嘴^{a)}
- (13) 縮徑吹嘴^{a)}
- (14) 收縮軟管^{a)}

a) 圖表或說明上提到的配件，並不包含在基本的供貨範圍中。本公司的配件清單中有完整的配件供應項目。

技術性數據

熱風機	GHG 18V-50	
產品機號	3 601 BA6 5..	
額定電壓	V=	18
最大風量	l/min	175
吹嘴出風口溫度 ^{A)}	°C	300/500
溫度測量準確度		±10 %
重量符合 EPTA-Procedure 01:2014	kg	0.93-2.0 ^{B)}
尺寸 (長 × 寬 × 高)	mm	183 × 77 × 209
充電狀態下的建議環境溫度	°C	0 ... +35
操作狀態下的容許環境溫度 ^{C)} 以及存放狀態下	°C	-20 ... +50

熱風機

GHG 18V-50

建議使用電池 (4 Ah 起)	GBA 18V... ProCORE18V...
建議使用的充電器	GAL 18... GAX 18... GAL 36...

A) 在 20 °C 環境下

B) 視所使用的充電蓄電池而定

C) 溫度 <0 °C 時，性能受限

充電電池

安裝充電電池

▶ **裝入充電電池時請勿用力過度。**充電電池所採取的構造設計使其僅能嵌在熱風槍內的正確位置上。

將已充飽電的充電電池推至充電電池固定座內，直到卡緊。

鋰離子充電電池配備了「Electronic Cell Protection (ECP)」[電池保護裝置 (ECP)]，可以防止充電電池過度放電。充電電池的電量如果用盡了，保護開關會自動關閉熱風槍。



請您遵照廢棄物處理相關指示。

取出充電電池

若要取出充電電池，請按解鎖鈕，然後將充電電池抽出。**不可以強行拉出充電電池。**

充電電池的電量指示器

充電電池的電量指示器透過綠色 LED 燈告知充電電池的目前電量。基於安全考量，僅可於熱風槍完全靜止時才能檢查充電電池的電量。

按一下電量指示器按鈕  或 ，即可顯示目前的電量。即使已取出充電電池，此項功能仍可正常運作。

按壓電量顯示按鈕後，LED 燈若未亮起，即表示充電電池故障，必須予以更換。

充電電池型號 GBA 18V...



LED	容量
3 顆綠燈持續亮起	60–100 %
2 顆綠燈持續亮起	30–60 %
1 顆綠燈持續亮起	5–30 %
1 顆綠燈呈閃爍狀態	0–5 %

充電電池型號 ProCORE18V...



LED	容量
5 顆綠燈持續亮起	80–100 %

LED	容量
4 顆綠燈持續亮起	60–80 %
3 顆綠燈持續亮起	40–60 %
2 顆綠燈持續亮起	20–40 %
1 顆綠燈持續亮起	5–20 %
1 顆綠燈呈閃爍狀態	0–5 %

操作

操作機器

▶ 在更換配件或存放熱風機之前，請先取出充電電池。這個預防措施可避免熱風機意外啟動。

本產品第一次使用時會有煙霧冒出

出廠時金屬表面上會有防鏽塗層。此一保護層會在第一次使用時揮發掉。

製造過程可能使熱風槍的吹嘴 (1) 產生變色。此屬正常現象，非瑕疵問題，並不會影響熱風槍的功能。

選擇熱風檔速

您可以透過效能等級設定 (3) 在 2 個不同的效能等級間進行選擇。切換時 LED 工作燈會短暫閃爍：

– 等級 300 °C

使用該等級可以進行解凍水管或加工熱縮管。開啟後的 6 秒內即可達到此溫度。使用充飽電的 8 Ah 電池時，運作時間可達 21 分鐘。

– 等級 500 °C

使用該等級可以進行漆料去除或軟焊等工作。加熱時間資訊為室溫下所測得。

啟動

若要啟動，請先按下解鎖開關 (4)，再接著按下電源開關 (5)。您可以在啟動後放開解鎖開關 (4)，在運作過程中毋須再繼續按著解鎖開關 (4)。

熱風機啟動時，LED 工作燈 (6) 會亮起並照亮工作範圍。

關閉

若要關閉，放開電源開關 (5) 即可。

請將熱風槍放置在電池 (9) 上，令其冷卻。

防止再起動功能

若在運作過程中將電池 (9) 從熱風槍取出且在仍按著電源開關 (5) 的情況下將其重新插入，則會啟動防止再起動功能。LED 工作燈 (6) 閃爍，熱風槍無法啟動。

放開電源開關 (5)，然後向往常一樣開啟熱風機。

電池過熱保護功能

若電池 (9) 在運作過程中過熱，功率會下降。只要按下電源開關 (5)，LED 工作燈 (6) 即會緩慢閃爍。

若熱風槍持續運作且電池溫度持續上升，熱風槍會自行關閉。

功率降低

本熱風槍相容於所有可取得之 18 V Bosch Professional 電池。

然而，若使用小於所建議 4 Ah 的電池運作熱風槍，在等級 500 °C 時熱風槍並無法達到最大效能（無法達到該溫度且風量會減少）。LED 工作燈 (6) 會開啟時多次緩慢閃爍，以顯示是以降低的效能在運作。

LED 指示器

LED 工作燈 (6) 亦作為狀態 LED 指示燈。

LED 回饋訊息	事件描述
短暫閃爍	溫度變更
啟動熱風槍時多次閃爍	效能降低（使用之電池 < 4 Ah）
只要按著電源開關 (5)，即緩慢閃爍	防止再起動功能 電池過熱保護功能
只要按著電源開關 (5)，即快速閃爍	內部發生錯誤

若熱風槍持續顯示內部錯誤（熱風槍無法開啟或在運作中自行關閉），請洽詢客戶服務中心。

作業注意事項

提示：出風口 (1) 不可過於靠近待加工的工件。氣流阻塞會導致熱風槍過熱。

拆卸隔熱套

在格外狹窄的位置上作業時，您可將隔熱套 (2) 旋轉後取下。

▶ **小心，吹嘴非常燙！** 拆除隔熱套後，操作機器時容易被燙傷。

請先關閉熱風槍並令其完全冷卻，才可取下或套上隔熱套 (2)。

操作範例（請參考圖 A–D）

插圖頁上有操作範例的插圖。

請配合加工材質（金屬、塑膠等）及預計進行的加工方式，調整吹嘴至工件之間的距離。

需實際操作才能試出各種應用的理想溫度。

請您一律先測試一下風量和溫度。一開始請您先使用低檔速的熱風並拉開距離。然後再視需求調整距離和熱風檔速。

如果您不確定加工材質或該材質對熱風會有什麼樣的反應，那麼，請您在隱蔽處測試效果。

在所有作業範例中，您都可以在不使用配件的狀態下進行作業。但是如果安裝了本公司推薦的配件，不僅能夠減輕工作負擔，更能夠提高工作品質。

此款熱風機適用所有可以在 **Bosch** 作為配件取得的吹嘴。

▶ **更換出風口時，請務必小心！切勿碰觸高溫出風口。讓熱風機冷卻，更換時請戴上防護手套。** 您可能被高溫的出風口燙傷。

收縮包覆 (請參考圖 A)

套上反射吹嘴 (12) (配件)。使用收縮軟管 (14) (配件) 時，請配合工件選擇適當的直徑。請對收縮軟管均勻加熱，直到它緊緊貼合工件。

去除烤漆/熔解黏膠 (請參考圖 B)

套上扁吹嘴 (10) (配件)。用熱風稍微吹一下烤漆，使它軟化，接著再用乾淨刮刀將它刮除。如果加熱過久，可能會燒焦油漆，反而使刮漆作業變得更加困難。

許多黏合膠劑會在加熱後變軟。您可在黏膠加熱的狀態下折開接合處或清除多餘黏膠。

解凍水管 (請參考圖 C)

▶ 進行加熱之前，請先確認目標是否真的是水管。
瓦斯管與水管外觀相似不容易分辨，千萬不可以加熱瓦斯管。

裝上彎頭吹嘴 (11) (配件)。加熱內部結凍的部位時，請優先從排水口往入水口的方向加熱。

加熱塑膠管，以及兩個管子的接合處時要特別小心，以免造成損壞。

軟焊 (請參考圖 D)

套上縮徑出風口 (13) (配件)。

如果使用未添加助焊劑的焊料，則必須在焊接位置塗抹焊脂或焊膏。將焊接點加熱並添加焊料。焊料接觸了經過加熱的表面便會熔化。
等待焊接處冷卻後再清除助焊劑。

維修和服務**維修和清潔**

- ▶ 在熱風槍上進行任何作業 (例如維修，更換工具等) 以及搬運和將其儲存之前，都必須將電池從熱風槍取出。
- ▶ 熱風槍和通風口都必須保持清潔，這樣才能夠提高工作品質和安全性。

顧客服務處和顧客諮詢中心

本公司顧客服務處負責回答有關本公司產品的維修、維護和備用零件的問題。以下的網頁中有分解圖和備用零件相關資料：www.bosch-pt.com
如果對本公司產品及其配件有任何疑问，博世應用諮詢小組很樂意為您提供協助。
當您需要諮詢或訂購備用零件時，請務必提供本產品型號銘牌上 10 位數的產品機號。

台灣

台灣羅伯特博世股份有限公司
建國北路一段90號6樓
台北市10491
電話: (02) 7734 2588
傳真: (02) 2516 1176
www.bosch-pt.com.tw

制造商地址:

Robert Bosch Power Tools GmbH
羅伯特·博世電動工具有限公司

70538 Stuttgart / GERMANY
70538 斯圖加特/ 德國

以下更多客戶服務處地址:

www.bosch-pt.com/serviceaddresses

搬運

隨貨附上的鋰離子充電電池受危險物品法的規範。使用者無須另外使用保護包裝便可運送該充電電池。

但是如果將它交由第三者運送 (例如: 寄空運或委託運輸公司)，則應遵照包裝與標示的相關要求。此時必須向危險物品專家請教有關寄送危險物品的相關事宜。

確定充電電池的外殼未受損後，才可以寄送充電電池。用膠帶貼住裸露的接點並妥善包裝充電電池，不可以讓充電電池在包裝材料中晃動。同時也應留意各國相關法規。

廢棄物處理

熱風槍、電池、所有配件及包裝均應以符合環保之方式回收利用。



請勿將熱風槍及充電電池/拋棄式電池作為一般垃圾丟棄!

充電電池/拋棄式電池:**鋰離子:**

請注意「搬運」段落中的指示 (參見「搬運」, 頁 35)。

ไทย**กฎระเบียบเพื่อความปลอดภัย**

อ่านค่าเตือนเพื่อความปลอดภัยและคำแนะนำทั้งหมด การไม่ปฏิบัติตามค่าเตือนและคำสั่งอาจเป็นสาเหตุให้อุปกรณ์ไฟฟ้าดูด เกิดไฟไหม้ และ/หรือได้รับบาดเจ็บอย่างร้ายแรง

เก็บรักษาค่าเตือนเพื่อความปลอดภัยและคำสั่งทั้งหมดสำหรับเปิดอ่านในภายหลัง

▶ **ปิ่นเข่าลมนร้อนนี้ไม่ได้มีไว้เพื่อการใช้งานโดยเด็กและบุคคลที่มีความบกพร่องทางกายภาพ ทางประสาทสัมผัส หรือทางจิตใจ หรือบุคคลที่ขาดประสบการณ์และความรู้ เด็ก**

อายุตั้งแต่ 8 ปีขึ้นไปและบุคคลที่มีความบกพร่องทางกายภาพ ทางประสาทสัมผัส หรือทางจิตใจ หรือขาดประสบการณ์และความรู้ สามารถใช้ปืนเป่าลมร้อนนี้ได้ หากได้รับการควบคุมดูแลจากบุคคลที่รับผิดชอบความปลอดภัยของพวกเขาหรือได้รับคำแนะนำเกี่ยวกับขั้นตอนการใช้งานปืนเป่าลมร้อนอย่างปลอดภัยและเข้าใจถึงอันตรายที่เกี่ยวข้อง มิฉะนั้นจะมีอันตรายจากความผิดพลาดในการปฏิบัติงานและได้รับบาดเจ็บ

- ▶ **ควบคุมดูแลเด็ก ๆ ในระหว่างการใช้งาน** ทำความสะอาด และบำรุงรักษา ทั้งนี้เพื่อให้มั่นใจได้ว่าเด็ก ๆ จะไม่เล่นปืนเป่าลมร้อน
- ▶ **ใช้ปืนเป่าลมร้อนอย่างระมัดระวัง** ปืนเป่าลมร้อนผลิตความร้อนสูง ซึ่งอาจเพิ่มความเสี่ยงต่อการเกิดไฟไหม้และการระเบิด
- ▶ **ใช้ความระมัดระวังเป็นพิเศษเมื่อทำงานใกล้วัตถุไวไฟ** กระจกใสหรือหัวเป่าที่ร้อนสามารถจุดฝุ่นหรือก๊าซให้ลุกไหม้ได้
- ▶ **อย่าใช้ปืนเป่าลมร้อนทำงานในสภาพแวดล้อมที่เสี่ยงต่อการระเบิด**
- ▶ **อย่าเลี้ยงกระแสลมร้อนไปที่จุดเดียวกันเป็นเวลานาน** อาจเกิดก๊าซที่สามารถเผาไหม้ได้ง่าย ต. ย. เช่น เมื่อทำงานกับพลาสติก สี เคลือบเงา หรือวัสดุที่คล้ายคลึงกัน
- ▶ **โปรดทราบว่าความร้อนสามารถรั่วเข้าหาวัตถุไวไฟที่ซ่อนอยู่และจุดให้ลุกไหม้ได้**

- ▶ **หลังใช้งาน** ให้วางปืนเป่าลมร้อนลงอย่างปลอดภัย และปล่อยให้เครื่องเย็นสนิทบนพื้นผิวสำหรับตั้งก่อนนำไปบรรจุใส่กล่อง หัวเป่าลมที่ร้อนอาจทำให้เกิดความเสียหาย
- ▶ **อย่าปล่อยให้ปืนเป่าลมร้อนทิ้งไว้ทิ้งๆ ที่เปิดสวิตช์อยู่**
- ▶ **เก็บรักษาปืนเป่าลมร้อนที่ไม่ได้ใช้งานให้พ้นมือเด็ก** อย่าให้บุคคลที่ไม่คุ้นเคยกับปืนเป่าลมร้อนนี้ หรือบุคคลที่ไม่ได้อ่านคำแนะนำนี้ นำเครื่องไปใช้งาน
- ▶ **ปืนเป่าลมร้อนเป็นของอันตรายหากตกอยู่ในมือของผู้ใช้ที่ไม่ได้รับการฝึกฝน**
- ▶ **อย่าวางปืนเป่าลมร้อนคาบฝนมหรือทิ้งไว้ในที่ชื้นและ** หากน้ำเข้าไปในปืนเป่าลมร้อนจะเพิ่มความเสี่ยงต่อการถูกไฟฟ้าดูด
- ▶ **สวมแว่นครอบตานิรภัยเสมอ** แว่นครอบตานิรภัยช่วยลดความเสี่ยงต่อการบาดเจ็บ
- ▶ **ถอดแบตเตอรี่ออกก่อนทำการปรับแต่งใดๆ** ที่เครื่อง เปลี่ยนปืนเป่าลมร้อน หรือเก็บเครื่องมือไฟฟ้าเข้าที่มาตรฐานเพื่อความปลอดภัยนี้ช่วยป้องกันการติดปืนเป่าลมร้อนโดยไม่ตั้งใจ



จัดให้มีการระบายอากาศที่ดีในสถานที่ทำงานของท่าน ก๊าซและไอระเหยที่เกิดขึ้นในระหว่างการทำงานมักเป็นอันตรายต่อสุขภาพ

- ▶ **สวมถุงมือป้องกันอันตราย และอย่าสัมผัสหัวเป่าลมที่ร้อน** จะมีอันตรายจากการเผาไหม้
 - ▶ **อย่าเลี้ยงกระแสลมร้อนไปยังคนหรือสัตว์**
 - ▶ **อย่าใช้เครื่องมือไฟฟ้าเป็นปืนเป่าลมร้อน** ลมร้อนที่เป่าออกมาจะร้อนกว่าที่ออกมาจากเครื่องเป่าลมมาก
 - ▶ **ตรวจสอบให้แน่ใจว่าไม่มีวัตถุแปลกปลอมเข้าไปในปืนเป่าลมร้อน**
 - ▶ **ระยะห่างจากหัวเป่าไปยังชิ้นงานขึ้นอยู่กับวัสดุที่จะทำงาน (โลหะ พลาสติก ฯลฯ) และรูปแบบการทำงานที่ตั้งใจไว้** ทดสอบปริมาณลมและอุณหภูมิก่อนเสมอ
 - ▶ **อย่าเปิดแบตเตอรี่** อันตรายจากการลัดวงจร
 - ▶ **เมื่อแบตเตอรี่ชำรุดและนำไปใช้งานอย่างไม่ถูกต้อง อาจมีไอระเหยออกมาได้** แบตเตอรี่อาจเผาไหม้หรือระเบิดได้ ให้ออกอากาศบริสุทธิ์และไปพบแพทย์ในกรณีเจ็บปวด ไอระเหยอาจทำให้ระบบหายใจระคายเคือง
 - ▶ **หากใช้อย่างไม่ถูกต้องหรือหากแบตเตอรี่ชำรุดของเหลวไวไฟอาจไหลออกมาจากแบตเตอรี่ได้** หลีกเลี่ยงการสัมผัสของเหลว ในกรณีสัมผัสโดยไม่ตั้งใจ ให้ล้างออกด้วยน้ำ หากของเหลวเข้าตา ให้ไปพบแพทย์ด้วย
- ของเหลวที่ไหลออกมาจากแบตเตอรี่อาจทำให้เกิดอาการคันหรือแสบผิวหนังได้

- ▶ **วัตถุที่แหลมคม ต. ย. เช่น ตะปูหรือไขควง หรือแรงกระทำภายนอก อาจทำให้แบตเตอรี่เสียหายได้** สิ่งเหล่านี้ อาจทำให้เกิดการลัดวงจรภายในและแบตเตอรี่ใหม่ มีควัน ระเบิด หรือร้อนเกินไป
- ▶ **นำแบตเตอรี่ที่ไม่ได้ใช้งานออกจากคลิพหนีบ กระดาษ เหยี่ยง ฤดูแจ ตะปู สกรู หรือวัตถุโลหะขนาดเล็กอื่นๆ ที่สามารถเชื่อมต่อขั้วหนึ่งไปยังอีกขั้วหนึ่งได้** การลัดวงจรของขั้วแบตเตอรี่อาจทำให้เกิดการไหม้หรือไฟลุกได้
- ▶ **ใช้แบตเตอรี่แพ็คเกจเฉพาะในผลิตภัณฑ์ของผู้ผลิตเท่านั้น** ในลักษณะนี้ แบตเตอรี่แพ็คเกจจะได้รับการปกป้องจากการใช้งานเกินกำลังซึ่งเป็นอันตราย
- ▶ **ชาร์จแบตเตอรี่แพ็คเกจด้วยเครื่องชาร์จที่บริษัผู้ผลิตแนะนำเท่านั้น**
เครื่องชาร์จที่เหมาะสมสำหรับชาร์จแบตเตอรี่ประเภทหนึ่ง หากนำไปชาร์จแบตเตอรี่ประเภทอื่น อาจเกิดไฟไหม้ได้



ปกป้องแบตเตอรี่จากความร้อน รวมทั้ง ต. ย. เช่น จากการถูกแสงแดดส่องต่อเนื่อง จากไฟลิ่งสปริง น้ำ และความชื้น อันตรายจากการระเบิดและการลัดวงจร



รายละเอียดผลิตภัณฑ์และข้อมูลจำเพาะ

กรุณาดูภาพประกอบในส่วนหน้าของคู่มือการใช้งาน

ประโยชน์การใช้งานของเครื่อง

ปืนเป่าลมร้อนนี้ใช้สำหรับเชื่อมและเปลี่ยนรูปพลาสติก ขัดลอกสี และอุ่นท่อหด เครื่องนี้ยังเหมาะสำหรับไขน็อตกรึและเคลือบตีบูก คลายรอยต่อกาว และละลายน้ำแข็งที่ท่อ น้ำปืนเป่าลมร้อนนี้ออกแบบมาสำหรับใช้มือถือและใช้งานภายใต้การกำกับดูแล

- ▶ **อย่าใช้เครื่องมือเป่าลมร้อนในบริเวณที่เสี่ยงต่อการระเบิดในบริเวณใกล้เคียงกับวัสดุไวไฟหรือฝุ่นที่ติดไฟได้**

ส่วนประกอบที่แสดงภาพ

ลำดับเลขของส่วนประกอบผลิตภัณฑ์อ้างอิงถึงส่วนประกอบของปืนเป่าลมร้อนที่แสดงในหน้าภาพประกอบ

- (1) หัวเป่าลม
- (2) ปกป้องกันความร้อน ถอดออกได้
- (3) การตั้งค่าระดับพลังงาน
- (4) สวิตช์ปลดล๊อค

- (5) สวิตช์เปิด-ปิด
- (6) ไฟส่องบริเวณทำงาน LED
- (7) ไฟแสดงสถานะการชาร์จแบตเตอรี่^{a)}
- (8) แป้นปลดล๊อคแบตเตอรี่^{a)}
- (9) แบตเตอรี่แพ็คเกจ^{a)}
- (10) หัวเป่าลมแบบกว้าง^{a)}
- (11) หัวเป่าลมแบบมุม^{a)}
- (12) หัวเป่าลมรีเฟล็กเตอร์^{a)}
- (13) หัวเป่าลมลดขนาด^{a)}
- (14) ปลอกหุ้ม^{a)}

a) อุปกรณ์ประกอบที่แสดงภาพหรืออธิบายไม่รวมอยู่ในการจัดส่งมาตรฐาน
กรุณาดูอุปกรณ์ประกอบทั้งหมดในรายการแสดงอุปกรณ์ประกอบของเรา

ข้อมูลทางเทคนิค

ปืนเป่าลมร้อน		GHG 18V-50
หมายเลขสินค้า		3 601 BA6 5..
แรงดันไฟฟ้าพิกัด	V=	18
การไหลของลมสูงสุด	ลิตร/นาที่	175
อุณหภูมิที่ทางออกหัวเป่าลม ^{A)}	°C	300/500
ความแม่นยำการวัดอุณหภูมิ		±10 %
น้ำหนักตามระเบียบการ EPTA-Procedure 01:2014	กก.	0.93-2.0 ^{B)}
ขนาด (ความยาว x ความกว้าง x ความสูง)	มม.	183 x 77 x 209
อุณหภูมิโดยรอบที่แนะนำเมื่อชาร์จ	°C	0 ... +35
อุณหภูมิโดยรอบที่อนุญาตเมื่อใช้งาน ^{C)} และระหว่างการเก็บรักษา	°C	-20 ... +50
แบตเตอรี่แพ็คเกจที่แนะนำ (ตั้งแต่ 4 Ah)		GBA 18V... ProCORE18V...
เครื่องชาร์จที่แนะนำ		GAL 18... GAX 18... GAL 36...

- A) ที่อุณหภูมิโดยรอบ 20 °C
- B) ขึ้นอยู่กับแบตเตอรี่แพ็คเกจที่ใช้
- C) สมรรถภาพจะน้อยลงที่อุณหภูมิ <0 °C

แบตเตอรี่

การใส่แบตเตอรี่

- ▶ **อย่าใช้กำลังแรงเมื่อใส่แบตเตอรี่** แบตเตอรี่ถูกออกแบบไว้ในลักษณะที่แบตเตอรี่จะสามารถใส่เข้าไปในปืนเป่าลมร้อนได้เมื่ออยู่ในตำแหน่งที่ถูกต้องเท่านั้น

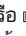

ใส่แบตเตอรี่ที่ชาร์จแล้วเข้าไปในด้ามจับจนรู้สึกเข้าล็อก “Electronic Cell Protection (ECP)” ช่วยป้องกันไม่ให้แบตเตอรี่ลิเธียม ไอออน จ่ายกระแสไฟออกอีก เมื่อแบตเตอรี่หมด วงจรป้องกันจะดับสวิตช์ปืนเป่าลมร้อน อ่านและปฏิบัติตามข้อสังเกตสำหรับการกำจัดขยะ

การถอดแบตเตอรี่

เมื่อต้องการถอดแบตเตอรี่แพ็คเกจ ให้นำแบตเตอรี่ออกจากเครื่องมือไฟฟ้าอย่างใช้กำลังดึง

ไฟแสดงสถานะการชาร์จแบตเตอรี่

ไฟ LED สีเขียวของการแสดงสถานะการชาร์จแบตเตอรี่แสดงสถานะการชาร์จของแบตเตอรี่ ด้วยเหตุผลด้านความปลอดภัยท่านสามารถตรวจสอบสถานะการชาร์จเฉพาะเมื่อปืนเป่าลมร้อนหยุดสนิทเท่านั้น

กดปุ่มสำหรับไฟแสดงสถานะการชาร์จแบตเตอรี่  หรือ  เพื่อแสดงสถานะการชาร์จ ท่านสามารถกดได้แม้เมื่อได้ถอดแบตเตอรี่ออกแล้ว

หลังจากกดปุ่มสำหรับไฟแสดงสถานะการชาร์จแบตเตอรี่แล้วไฟ LED ไม่ติดขึ้น แสดงว่าแบตเตอรี่บกพร่องและต้องเปลี่ยนใหม่

แบตเตอรี่-ชนิด GBA 18V...



LED	ความจุ
ไฟส่องสว่างต่อเนื่อง 3 x สีเขียว	60–100 %
ไฟส่องสว่างต่อเนื่อง 2 x สีเขียว	30–60 %
ไฟส่องสว่างต่อเนื่อง 1 x สีเขียว	5–30 %
ไฟกะพริบ 1 x สีเขียว	0–5 %

แบตเตอรี่-ชนิด ProCORE18V...



LED	ความจุ
ไฟส่องสว่างต่อเนื่อง 5 x สีเขียว	80–100 %

LED	ความจุ
ไฟส่องสว่างต่อเนื่อง 4 x สีเขียว	60–80 %
ไฟส่องสว่างต่อเนื่อง 3 x สีเขียว	40–60 %
ไฟส่องสว่างต่อเนื่อง 2 x สีเขียว	20–40 %
ไฟส่องสว่างต่อเนื่อง 1 x สีเขียว	5–20 %
ไฟกะพริบ 1 x สีเขียว	0–5 %

การปฏิบัติงาน

การเริ่มต้นปฏิบัติงาน

- ▶ **ถอดแบตเตอรี่ออกก่อนเปลี่ยนอุปกรณ์ประกอบ หรือเก็บปืนเป่าลมร้อนเข้าที่** มาตรการเพื่อความปลอดภัยนี้ช่วยป้องกันการติดปืนเป่าลมร้อนโดยไม่ตั้งใจ

การเกิดควันเมื่อใช้งานครั้งแรก

พื้นผิวโลหะได้รับการเคลือบผิวมาจากโรงงานเพื่อป้องกันการกัดกร่อน ชั้นป้องกันนี้จะระเหยเป็นไอเมื่อใช้งานครั้งแรก ปืนเป่าลมร้อนอาจมีการเปลี่ยนสีบนหัวฉีด (1) อันเป็นผลมาจากกระบวนการผลิต ซึ่งไม่ใช่ความเสียหาย แต่อาจเกิดขึ้นเนื่องจากการทำงานของเครื่องเป่าลมร้อนไม่บกพร่อง

การเลือกระดับพลังงาน

ท่านสามารถตั้งค่าระดับพลังงาน (3) โดยเลือกระดับพลังงานได้ 2 ระดับ เมื่อทำการสับสวิตช์ ไฟทำงาน LED จะกะพริบชั่วคราว:

- ระดับ 300 °C
ระดับนี้ช่วยให้คุณสามารถละลายท่อตันหรือท่อด้วยความร้อน หลังจากเปิดเครื่อง จะถึงอุณหภูมินี้ภายในเวลาไม่ถึง 6 วินาที แบตเตอรี่ขนาด 8 Ah ที่ชาร์จเต็มแล้วทำงานได้ถึง 21 นาที
- ระดับ 500 °C
ระดับนี้ช่วยให้คุณสามารถลบสีหรือบัตกรี

ข้อมูลเกี่ยวกับเวลาทำความร้อนเกี่ยวข้องกับการวัดที่อุณหภูมิห้อง หากต้องการเปิดเครื่อง

เปิดเครื่องทำงาน

เปิดสวิตช์ ให้กดสวิตช์ปลด (4) ก่อน แล้วจากนั้นให้กดสวิตช์เปิด/ปิด (5) หลังจากสตาร์ทแล้ว คุณสามารถปล่อยสวิตช์ปลดล็อก (4) ได้ ไม่จำเป็นต้องกดสวิตช์ปลดล็อก (4) ในระหว่างการทำงาน

เมื่อสตาร์ทปืนเป่าลมร้อน ไฟทำงาน LED (6) จะเปิดและส่องสว่างพื้นที่ทำงาน

ปิดเครื่อง

ปิดสวิตช์ โดยปล่อยสวิตช์เปิด/ปิด (5)

วางปืนเป่าลมร้อนบนแบตเตอรี่แพ็ค (9) เพื่อปล่อยให้เย็นลง

การป้องกันการรีสตาร์ท

หากแบตเตอรี่แพ็ค (9) ออกจากปืนเป่าลมร้อนในระหว่างการทำงาน และใส่กลับเข้าไปใหม่ในขณะที่กดสวิตช์เปิด/ปิด (5) ค้างไว้ การป้องกันการเริ่มต้นใหม่จะถูกเปิดใช้งาน ไฟทำงาน LED (6) จะพริบและปืนเป่าลมร้อนจะไม่สตาร์ทปล่อยสวิตช์เปิด/ปิด (5) และเปิดปืนเป่าลมร้อนไฟฟ้าอีกครั้งเพื่อทำงานต่อเป็นปกติ

ระบบป้องกันความร้อนสูงเกินสำหรับแบตเตอรี่แพ็ค

หากแบตเตอรี่แพ็ค (9) ร้อนเกินไประหว่างการทำงาน ประสิทธิภาพในการทำงานจะลดลง ไฟทำงาน LED (6) จะพริบซ้ำๆ ตรวจจับที่กดสวิตช์เปิด/ปิด (5) ค้างไว้ หากใช้งานปืนเป่าลมร้อนต่อ และอุณหภูมิในภายนอกแบตเตอรี่แพ็คยังคงเพิ่มขึ้นปืนเป่าลมร้อนจะปิดสวิตช์เอง

ประสิทธิภาพในการทำงานลดลง

ปืนเป่าลมร้อนใช้งานได้กับแบตเตอรี่แพ็ค Bosch Professional 18 V ทั้งหมด

เมื่อใช้งานปืนเป่าลมร้อนด้วยแบตเตอรี่แพ็คที่มีกำลังน้อยกว่า 4 Ah ซึ่งแนะนำให้ใช้ ปืนเป่าลมร้อนจะไม่ทำงานโดยมีประสิทธิภาพเต็มที่ระดับ 500 °C (อุณหภูมิไม่ถึงและปริมาณอากาศลดลง) สังเกตได้ว่าปืนเป่าลมร้อน ทำงานโดยมีประสิทธิภาพลดลง ไฟทำงาน LED ไฟทำงาน LED (6) จะกะพริบหลายครั้งเป็นจังหวะซ้ำๆ เมื่อเปิดเครื่อง

ไฟแสดงผล LED

ไฟทำงาน LED (6) เป็นจอแสดงผล LED แสดงสถานะด้วยเช่นกัน

การตอบสนองด้วยไฟ LED คำอธิบายการดำเนินการ

กะพริบซ้ำๆ	อุณหภูมิเปลี่ยนแปลง
กะพริบหลายครั้งเมื่อสตาร์ทปืนเป่าลมร้อน	ประสิทธิภาพลดลง (เมื่อใช้แบตเตอรี่แพ็ค < 4 Ah)
กะพริบเป็นจังหวะซ้ำๆ เมื่อกดสวิตช์เปิด/ปิด (5) ค้างไว้	การป้องกันการรีสตาร์ท ระบบป้องกันความร้อนสูงเกินสำหรับแบตเตอรี่แพ็ค
กะพริบเป็นจังหวะเร็ว เมื่อกดสวิตช์เปิด/ปิด (5) ค้างไว้	ข้อผิดพลาดภายใน

หากมีข้อผิดพลาดภายในปรากฏขึ้นอย่างถาวรในปืนเป่าลมร้อน (ปืนเป่าลมร้อนพยายามไม่สตาร์ทหรือปิดหากมีการใช้งานอยู่) โปรดติดต่อฝ่ายบริการลูกค้า

ข้อแนะนำในการทำงาน

หมายเหตุ: อย่านำหัวเป่าลม (1) เข้าใกล้ชิ้นงานมากเกินไป การสะสมของลมร้อนจะทำให้ปืนเป่าลมร้อนมีความร้อนสูงเกินไป

การถอดปลอกป้องกันความร้อน

เมื่อทำงานตรงตำแหน่งที่คับแคบมาก ท่านสามารถถอดปลอกป้องกันความร้อน (2) โดยการหมุนออก

▶ **ระวังหัวเป่าลมที่ร้อน!** หากทำงานโดยไม่ปิดปลอกป้องกันความร้อนจะเพิ่มความเสี่ยงจากการเผาไหม้

หากต้องการถอดหรือติดตั้งปลอกป้องกันความร้อน (2) ให้ปิดปืนเป่าลมร้อนและปล่อยให้เย็นลง

ตัวอย่างการปฏิบัติงาน (รูปภาพประกอบ A-D)

รูปภาพตัวอย่างการปฏิบัติงานได้จากหน้าภาพประกอบ ระยะห่างจากหัวเป่าลมไปยังชิ้นงานขึ้นอยู่กับวัสดุที่ท่านกำลังทำงานอยู่ (โลหะ พลาสติก ฯลฯ) และวิธีการทำงานที่ตั้งใจไว้

อุณหภูมิที่เหมาะสมที่สุดสำหรับงานที่เกี่ยวข้อง สามารถกำหนดได้จากการทดลองปฏิบัติ

ทำการทดสอบเกี่ยวกับการไหลของลมและอุณหภูมิก่อนเสมอ ให้เริ่มต้นด้วยระยะที่ห่างกว่าและระดับพลังงานต่ำ จากนั้นให้ปรับระยะห่างและระดับพลังงานตามต้องการ

หากท่านไม่แน่ใจเกี่ยวกับชนิดของวัสดุที่ท่านกำลังทำงานอยู่หรือเกี่ยวกับผลจากลมร้อนที่มีต่อวัสดุ ให้ทดสอบผลตรงจุดที่ซ่อนเร้นก่อน

คุณสามารถทำงานตามตัวอย่างการปฏิบัติงานทั้งหมดได้โดยไม่ต้องใช้อุปกรณ์เสริม อย่างไรก็ตาม การใช้อุปกรณ์ประกอบที่แนะนำจะช่วยให้ทำงานได้ง่ายขึ้น และปรับปรุงคุณภาพของผลงานให้ดียิ่งขึ้น

สำหรับปืนเป่าลมร้อนนี้ คุณสามารถให้ข้อคิดทั้งหมดที่มีจำหน่ายเป็นอุปกรณ์เสริมของบริษัท **Bosch**

▶ **ใช้ความระมัดระวังเมื่อเปลี่ยนหัวเป่าลม!** อย่าสัมผัสหัวเป่าลมที่ร้อนอยู่ ปล่อยให้ปืนเป่าลมร้อนเย็นลงและสวมถุงมือป้องกันขณะเปลี่ยนหัวเป่าลม ท่านอาจถูกหัวเป่าลมที่ร้อนอยู่เผาไหม้

การทาด (รูปภาพประกอบ A)

สวมหัวเป่าลมรีเฟล็กเตอร์ (12) (อุปกรณ์ประกอบ) เข้าเลือกเส้นผ่าศูนย์กลางของปลอกทาด (14) (อุปกรณ์ประกอบ) ตามชิ้นงาน เป่าลมร้อนที่ปลอกทาดให้ทั่วกันจนปลอกทาดแนบสนิทพอดีกับชิ้นงาน

การเอาเคเบิลเงาออก/การคลายกาวออก (คุณภาพประกอบ B)

สวมหัวเป่าลมแบบกว้าง (10) (อุปกรณ์ประกอบ) เข้า เป่าลมร้อนเพื่อทำเคเบิลเงาให้นุ่มลื่นชั่วคราว และแฉะเคเบิลเงาออกด้วยเครื่องมือชุดที่สะอาด การเป่าลมร้อนนานเกินไปจะทำให้เคเบิลเงาใหม่เคเบิลเงา ทำให้เอาออกยากยิ่งขึ้น

กาหลายชนิดจะอ่อนตัวเมื่อถูกความร้อน สำหรับกาวที่อุ่นแล้ว ท่านสามารถแยกการเชื่อมติดออกจากกัน หรือเอากาส่วนเกินออกไป

การละลายน้ำแข็งที่ท่อ (คุณภาพประกอบ C)

▶ **ก่อนเป่าลมร้อนที่ท่อ ให้ตรวจสอบให้แน่ใจว่ามันคือท่อน้ำจริงๆ** ท่อน้ำมักจะมีลักษณะภายนอกไม่แตกต่างจากท่อก๊าซ ห้ามเป่าลมร้อนที่ท่อก๊าซในทุกกรณี

สวมหัวเป่าลมแบบมุม (11) (อุปกรณ์ประกอบ) เข้า เป่าลมร้อนที่โซนที่เป็นน้ำแข็ง โดยเฉพาะอย่างยิ่งจากด้านนอกไปยังด้านใน

เป่าลมร้อนที่ท่อพลาสติกรวมทั้งการเชื่อมต่อระหว่างชิ้นท่อด้วยความระมัดระวังเป็นพิเศษเพื่อป้องกันความเสียหาย

การบัดกรีร้อน (คุณภาพประกอบ D)

ประกอบหัวเป่าลมลดขนาด (13) (อุปกรณ์ประกอบ) เข้า หากใช้โลหะบัดกรีแบบไม่มีน้ำยาประสาน (flux) ให้แต้มครีมหือรือรือประสานสำหรับบัดกรีตรงตำแหน่งที่จะบัดกรี อุ่นข้อต่อประสานและเพิ่มบัดกรี โลหะบัดกรีต้องหลอมละลายจากอุณหภูมิชิ้นงาน

เมื่อตำแหน่งที่บัดกรีเย็นลงแล้ว ให้เอาน้ำยาประสานออกไป

การบำรุงรักษาและการบริการ

การบำรุงรักษาและการทำความสะอาด

- ▶ **ถอดแบตเตอรี่ออกจากปืนเป่าลมร้อนก่อนทำการปรับแต่งใดๆ** ที่ปืนเป่าลมร้อน (เช่น บำรุงรักษา เปลี่ยนเครื่องมือ ฯลฯ) รวมทั้งเมื่อขนย้ายและเก็บรักษา
- ▶ **เพื่อให้ปืนเป่าลมร้อนทำงานได้อย่างถูกต้องและปลอดภัย ต้องรักษาเครื่องและช่องระบายอากาศให้สะอาดอยู่เสมอ**

การบริการหลังการขายและการให้คำปรึกษาการใช้งาน

ศูนย์บริการหลังการขายของเรายินดีตอบคำถามของท่านที่เกี่ยวกับการบำรุงรักษาและการซ่อมแซมผลิตภัณฑ์รวมทั้งเรื่องอะไหล่ ภาพเขียนแบบการประกอบและข้อมูลเกี่ยวกับอะไหล่ กรุณาดูใน: www.bosch-pt.com

ทีมงานที่ปรึกษาของ บอช ยินดีให้ข้อมูลเกี่ยวกับผลิตภัณฑ์ของเราและอุปกรณ์ประกอบต่างๆ

เมื่อต้องการสอบถามและสั่งซื้ออะไหล่ กรุณาแจ้งหมายเลขสินค้า 10 หลักบนแผ่นป้ายรุ่นของผลิตภัณฑ์ทุกครั้ง

ไทย

ไทย บริษัท โรเบิร์ต บอช จำกัด
 เอพวยไอ เซ็นเตอร์ อาคาร 1 ชั้น 5
 เลขที่ 2525 ถนนพระราม 4
 แขวงคลองเตย เขตคลองเตย กรุงเทพฯ 10110
 โทร: +66 2012 8888
 แฟกซ์: +66 2064 5800
www.bosch.co.th

ศูนย์บริการซ่อมและฝึกอบรม บอช
 อาคาร ลาซาลทาวเวอร์ ชั้น G ห้องเลขที่ 2
 บ้านเลขที่ 10/11 หมู่ 16
 ถนนศรีนครินทร์ ตำบลบางแก้ว อำเภอบางพลี
 จังหวัดสมุทรปราการ 10540
 ประเทศไทย
 โทรศัพท์ 02 7587555
 โทรสาร 02 7587525

สามารถดูที่อยู่ศูนย์บริการอื่นๆ ได้ที่:

www.bosch-pt.com/serviceaddresses

การขนส่ง

แบตเตอรี่ลิเธียม ไอออน ที่บรรจุอยู่ภายใต้ข้อกำหนดแห่งกฎหมายสินค้าอันตราย ผู้ใช้สามารถขนส่งแบตเตอรี่แพ็คโดยทางถนนโดยไม่มีข้อบังคับอื่นหากขนส่งโดยบุคคลที่สาม (เช่น : การขนส่งทางอากาศ หรือตัวแทนขนส่งสินค้า) ต้องปฏิบัติตามข้อกำหนดพิเศษเกี่ยวกับการบรรจุภัณฑ์และการติดฉลาก สำหรับการจัดเตรียมสิ่งของที่จะจัดส่งจำเป็นต้องปรึกษาผู้เชี่ยวชาญด้านวัตถุอันตราย

ส่งแบตเตอรี่แพ็คเมื่อตัวหุ้มไม่ชำรุดเสียหายเท่านั้น ใสแถบกาวพันปิดหน้าสัมผัสที่เปิดอยู่ และนำแบตเตอรี่แพ็คใส่กล่องบรรจุโดยไม่เคลื่อนไหวไปมาในกล่องได้ นอกจากนี้ กรุณาปฏิบัติตามกฎระเบียบของประเทศซึ่งอาจมีรายละเอียดเพิ่มเติม

การกำจัดขยะ



ปืนเป่าลมร้อน แบตเตอรี่ อุปกรณ์ประกอบ และ หีบห่อ ต้องนำไปแยกประเภทวัสดุเพื่อนำกลับมาใช้ใหม่โดยไม่ทำลายสภาพแวดล้อม



อย่าทิ้งปืนเป่าลมร้อนและแบตเตอรี่แพ็ค/แบตเตอรี่ลงในขยะบ้าน!

แบตเตอรี่แพ็ค/แบตเตอรี่:

ลิเธียม ไอออน:

กรุณาศึกษาปฏิบัติตามคำแนะนำในบทการขนส่ง (ดู "การขนส่ง", หน้า 40)

Bahasa Indonesia

Petunjuk Keselamatan




Bacalah semua petunjuk keselamatan dan petunjuk penggunaan. Kesalahan dalam menjalankan petunjuk keselamatan dan petunjuk penggunaan dapat mengakibatkan kontak listrik, kebakaran dan/atau luka-luka yang berat.

Simpan semua peringatan dan petunjuk kerja untuk keperluan di waktu yang akan datang.

- ▶ **Pistol udara panas ini tidak dirancang untuk digunakan oleh anak-anak dan orang dengan keterbatasan fisik, sensorik atau mental atau yang kurang pengalaman dan pengetahuan. Pistol udara panas ini dapat digunakan oleh anak-anak mulai umur 8 tahun dan orang dengan keterbatasan fisik, sensorik atau mental atau yang kurang pengalaman dan pengetahuan selama mereka diawasi oleh seseorang yang bertanggung jawab atau diberi pengarahan mengenai cara penggunaan pistol udara panas yang aman dan mereka mengerti bahaya yang mungkin terjadi.** Jika tidak, terdapat risiko kesalahan pengoperasian dan cedera.
- ▶ **Awasi anak-anak Anda saat penggunaan, pembersihan, dan pemeliharaan.** Hal itu memastikan

anak-anak tidak bermain dengan mesin kipas angin.

- ▶ **Perlakukan pistol udara panas ini dengan hati-hati.** Pistol udara panas ini memproduksi panas yang tinggi yang dapat menimbulkan risiko kebakaran dan risiko ledakan yang tinggi.
 - ▶ **Berhati-hatilah saat sedang bekerja di dekat bahan yang mudah terbakar.** Aliran udara panas dan hawa panas dapat memercikkan api terhadap debu dan gas.
 - ▶ **Jangan mengoperasikan pistol udara panas di area yang berpotensi memicu ledakan.**
 - ▶ **Jangan menggunakan aliran udara panas dalam waktu yang lama dan pada lokasi yang sama.** Gas yang berpotensi menyulut api dapat sangat mudah muncul, misalnya saat sedang dalam proses pengerjaan pada plastik, warna, cat, atau bahan yang sejenis.
 - ▶ **Perhatikan apakah terdapat panas pada bahan-bahan mudah terbakar yang sedang dalam proses pengerjaan dan apakah bahan tersebut dapat memercikkan api.**
 - ▶ **Setelah digunakan, letakkan pistol udara panas dengan aman di rak penyimpanan dan biarkan menjadi dingin sebelum disimpan.** Nozel yang panas dapat menyebabkan kerusakan.
 - ▶ **Jangan meninggalkan pistol udara panas yang dihidupkan tanpa pengawasan.**
 - ▶ **Simpan pistol udara panas yang tidak digunakan di luar jangkauan anak-anak. Jangan biarkan seseorang yang tidak mengenal pistol udara panas atau belum membaca petunjuk menggunakan pistol ini.** Pistol udara panas berbahaya jika digunakan oleh seseorang yang tidak berpengalaman.
 - ▶ **Jauhkan pistol udara panas dari hujan atau basah.** Air yang masuk ke dalam pistol udara panas akan meningkatkan risiko terjadinya sengatan listrik.
 - ▶ **Pakailah selalu kacamata pelindung.** Kacamata pelindung mengurangi risiko cedera.
 - ▶ **Lepaskan baterai sebelum melakukan pengaturan perangkat, ganti komponen aksesori atau simpan pistol udara panas.** Tindakan keselamatan kerja ini menghindarkan pistol udara panas hidup tanpa disengaja.
-  **Beri sirkulasi udara yang baik pada tempat kerja Anda.** Saat bekerja, gas dan uap yang terdapat di sana seringkali memberikan dampak terhadap kesehatan.
- ▶ **Pakailah sarung tangan pelindung dan jangan menyentuh nozel yang panas.** Terdapat risiko kebakaran.
 - ▶ **Jangan mengarahkan aliran udara panas kepada orang atau hewan peliharaan.**

- ▶ **Jangan menggunakan pistol udara panas sebagai alat pengering rambut.** Aliran udara yang keluar memiliki panas yang luar biasa dibandingkan alat pengering rambut.
- ▶ **Pastikan tidak ada benda asing yang masuk ke dalam pistol udara panas.**
- ▶ **Jarak nozel ke benda kerja disesuaikan dengan material yang dikerjakan (logam, plastik, dsb.) dan jenis pekerjaan yang diinginkan.** Selalu lakukan uji coba terlebih dulu terkait volume udara dan suhu.
- ▶ **Jangan membuka baterai.** Ada bahaya terjadinya korsleting.
- ▶ **Asap dapat keluar apabila terjadi kerusakan atau penggunaan yang tidak tepat pada baterai. Baterai dapat terbakar atau meledak.** Biarkan udara segar mengalir masuk dan kunjungi dokter apabila mengalami gangguan kesehatan. Asap tersebut dapat mengganggu saluran pernafasan.
- ▶ **Penggunaan yang salah pada baterai atau baterai yang rusak dapat menyebabkan keluarnya cairan yang mudah terbakar dari baterai. Hindari terkena cairan ini. Jika tanpa sengaja terkena cairan ini, segera bilas dengan air. Jika cairan tersebut terkena mata, segera hubungi dokter untuk pertolongan lebih lanjut.** Cairan yang keluar dari baterai dapat menyebabkan iritasi pada kulit atau luka bakar.
- ▶ **Baterai dapat rusak akibat benda-benda lancip, seperti jarum, obeng, atau tekanan keras dari luar.** Hal ini dapat menyebabkan terjadinya hubungan singkat internal dan baterai dapat terbakar, berasap, meledak, atau mengalami panas berlebihan.
- ▶ **Jika baterai tidak digunakan, jauhkan baterai dari klip kertas, uang logam, kunci, paku, sekrup, atau benda-benda kecil dari logam lainnya, yang dapat menjembatani kontak-kontak.** Korsleting antara kontak-kontak baterai dapat mengakibatkan kebakaran atau api.
- ▶ **Hanya gunakan baterai pada produk yang dibuat oleh produsen.** Hanya dengan cara ini, baterai dapat terlindung dari kelebihan muatan.
- ▶ **Hanya isi ulang daya baterai menggunakan alat pengisi daya yang dianjurkan oleh produsen.** Alat pengisi daya yang khusus untuk mengisi daya baterai tertentu dapat mengakibatkan kebakaran jika digunakan untuk mengisi daya baterai yang tidak cocok.



Lindungi baterai dari panas, misalnya juga dari paparan sinar matahari dalam waktu yang lama, api, kotoran, air dan kelembapan. Terdapat risiko ledakan dan korsleting.



Spesifikasi produk dan performa

Perhatikan ilustrasi yang terdapat pada bagian depan panduan pengoperasian.

Tujuan penggunaan

Heat gun ini cocok untuk mengubah bentuk dan mengelas bahan sintetis, mengelupas lapisan cat, dan memanaskan slang heat-shrink. Perkakas listrik ini juga sesuai untuk menyolder dan melapisi dengan timah, melepaskan sambungan berperkat, dan melelehkan beku pada pipa air. Heat gun hanya cocok untuk penggunaan dengan tangan dan perlu pengawasan.

- ▶ **Jangan menggunakan pistol udara panas di area yang rentan terjadi ledakan, di sekitar bahan yang mudah terbakar atau debu yang mudah terbakar.**

Ilustrasi komponen

Nomor pada ilustrasi komponen berikut mengacu pada ilustrasi heat gun di halaman gambar.

- (1) Nozel
 - (2) Insulasi panas, dapat dilepas
 - (3) Pengaturan level daya
 - (4) Switch rilis
 - (5) Tombol on/off
 - (6) Lampu kerja LED
 - (7) Indikator level pengisian daya baterai^{a)}
 - (8) Tombol pelepas baterai^{a)}
 - (9) Baterai^{a)}
 - (10) Nozel pipih^{a)}
 - (11) Nozel sudut^{a)}
 - (12) Nozel reflektor^{a)}
 - (13) Nozel reduksi^{a)}
 - (14) Slang heat-shrink (dapat menyusut saat terkena panas)^{a)}
- a) **Aksesori yang ada pada gambar atau yang dijelaskan tidak termasuk dalam lingkup pengiriman standar. Semua aksesori yang ada dapat Anda lihat dalam program aksesori kami.**

Data teknis

Heat gun	GHG 18V-50	
Nomor seri		3 601 BA6 5..
Tegangan nominal	V=	18
Kuantitas udara maks.	l/min	175
Suhu pada outlet nozel ^{a)}	°C	300/500
Akurasi pengukuran suhu		±10%
Berat sesuai dengan EPTA-Procedure 01:2014	kg	0,93-2,0 ^{b)}
Dimensi (panjang × lebar × tinggi)	mm	183 × 77 × 209
Suhu sekitar yang direkomendasikan saat pengisian daya	°C	0 ... +35

Heat gun	GHG 18V-50	
Suhu sekitar yang diizinkan saat pengoperasian ^{c)} dan saat penyimpanan	°C	-20 ... +50
Baterai yang direkomendasikan (mulai 4 Ah)		GBA 18V... ProCORE18V...
Perangkat pengisian daya yang direkomendasikan		GAL 18... GAX 18... GAL 36...

- A) Pada suhu lingkungan 20°C
 B) tergantung pada baterai yang digunakan
 C) daya terbatas pada suhu <0 °C

Baterai

Memasang baterai

- **Jangan memasang baterai secara paksa.** Baterai dirancang agar hanya dapat dipasang ke dalam heat gun dengan posisi yang benar.

Masukkan baterai yang telah terisi daya ke dalam dudukan baterai hingga baterai terkunci.

Baterai Li-ion terlindungi dari pengosongan daya total dengan "Electronic Cell Protection (ECP)". Bila daya baterai habis, heat gun akan dimatikan oleh sirkuit pelindung.

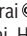
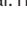
Perhatikan petunjuk untuk membuang.

Melepas baterai

Untuk melepas baterai, tekan tombol pelepas baterai dan keluarkan baterai. **Jangan melepas baterai dengan paksa.**

Indikator level pengisian daya baterai

LED berwarna hijau dari indikator level pengisian daya baterai menampilkan level pengisian daya baterai. Untuk alasan keamanan, level pengisian daya baterai hanya dapat ditunjukkan saat heat gun tidak sedang beroperasi.

Tekan tombol untuk indikator level pengisian daya baterai  atau  untuk menampilkan level pengisian daya baterai. Hal ini juga dapat dilakukan saat baterai dilepas.

Apabila LED tidak menyala setelah menekan tombol indikator level pengisian daya, berarti terdapat kerusakan pada baterai dan baterai harus diganti.

Tipe baterai GBA 18V...



LED	Kapasitas
Lampu permanen hijau 3 ×	60–100%
Lampu permanen hijau 2 ×	30–60%
Lampu permanen hijau 1 ×	5–30%
Lampu berkedip hijau 1 ×	0–5%

Tipe baterai ProCORE18V...



LED	Kapasitas
Lampu permanen hijau 5 ×	80–100%
Lampu permanen hijau 4 ×	60–80%
Lampu permanen hijau 3 ×	40–60%
Lampu permanen hijau 2 ×	20–40%
Lampu permanen hijau 1 ×	5–20%
Lampu berkedip hijau 1 ×	0–5%

Penggunaan

Cara penggunaan

- **Keluarkan baterai sebelum mengganti komponen aksesoris atau menyimpan heat gun.** Tindakan keselamatan kerja ini mencegah heat gun hidup tanpa sengaja.

Emisi asap pada start-up pertama

Permukaan logam dilindungi dengan lapisan antikorosi dari pabrikan. Lapisan pelindung ini akan menguap pada pengoperasian pertama.

Heat gun dapat mengalami perubahan warna pada bagian nozel **(1)** yang disebabkan oleh proses produksi. Hal ini bukanlah kerusakan dan fungsi heat gun tidak akan terganggu.

Memilih tingkat daya

Terdapat 2 level daya berbeda yang dapat dipilih melalui pengaturan level daya **(3)**. Saat beralih antarlevel, lampu kerja LED akan berkedip singkat pada:

- Level 300°C
Pipa air yang membeku dapat dicairkan atau slang heat-shrink dapat diproses pada level ini. Suhu tersebut akan dicapai kurang dari 6 detik setelah perkakas dihidupkan. Masa pengoperasian baterai berkisar hingga 21 menit pada baterai 8 Ah yang terisi penuh.
- Level 500°C
Pengguna dapat menyolder atau mengelupas pernis pada level ini.

Informasi mengenai waktu pemanasan berkaitan dengan pengukuran pada suhu ruang.

Menghidupkan perkakas listrik

Untuk **menghidupkan**, tekan switch rilis **(4)** terlebih dahulu lalu tekan tombol on/off **(5)**. Setelah mulai beroperasi, switch rilis **(4)** dapat dilepas dan switch rilis **(4)** tidak boleh ditekan lagi selama pengoperasian.

Saat heat gun mulai beroperasi, lampu kerja LED **(6)** akan menyala dan menerangi area kerja.

Mematikan perkakas listrik

Untuk mematikan, lepaskan tombol on/off **(5)**.

Letakkan heat gun dengan posisi baterai (9) di bawah agar heat gun menjadi dingin.

Perlindungan terhadap start ulang

Jika baterai (9) dikeluarkan dari heat gun pada saat pengoperasian sedang berjalan dan dipasang kembali pada saat tombol on/off (5) masih ditekan, perlindungan terhadap start ulang akan aktif. Lampu kerja LED (6) berkedip dan heat gun tidak beroperasi.

Lepaskan tombol on/off (5) dan kemudian hidupkan heat gun seperti biasanya.

Perlindungan overheating pada baterai

Jika selama pengoperasian baterai (9) menjadi terlalu panas, daya akan berkurang. Lampu kerja LED (6) akan berkedip lambat selama tombol on/off (5) ditekan.

Apabila heat gun tetap dioperasikan dan suhu pada baterai terus meningkat, heat gun akan mati secara otomatis.

Penurunan daya

Heat gun kompatibel dengan semua baterai 18 V Bosch Professional yang tersedia.

Namun, jika heat gun beroperasi dengan kapasitas baterai lebih kecil dari baterai 4 Ah yang direkomendasikan, heat gun tidak akan mencapai kapasitas daya penuh pada level 500°C (suhu tidak tercapai dan kuantitas udara berkurang). Lampu kerja LED (6) akan berkedip lambat beberapa kali saat heat gun dihidupkan untuk menunjukkan bahwa heat gun beroperasi hanya dengan daya yang rendah.

Indikator LED

Lampu kerja LED (6) juga digunakan sebagai indikator status LED.

Umpan balik melalui LED	Keterangan
Berkedip singkat	Perubahan suhu
Berkedip beberapa kali saat heat gun mulai beroperasi	Penurunan daya (penggunaan baterai < 4 Ah)
Berkedip lambat selama tombol on/off (5) ditekan	Perlindungan terhadap start ulang
	Perlindungan overheating pada baterai
Berkedip cepat selama tombol on/off (5) ditekan	Gangguan internal

Jika gangguan internal pada heat gun terus muncul (heat gun tidak beroperasi atau mati ketika sedang digunakan), silakan hubungi layanan pelanggan.

Petunjuk pengoperasian

Catatan: Jangan meletakkan nozel (1) terlalu dekat dengan benda kerja. Aliran udara yang tidak lancar dapat menyebabkan heat gun menjadi terlalu panas.

Melepaskan insulasi panas

Untuk pengerjaan di tempat yang sangat sempit, insulasi panas (2) dapat dilepas dengan cara diputar.

- **Hati-hati terhadap nozel yang panas!** Terdapat risiko luka bakar yang tinggi saat bekerja tanpa menggunakan insulasi panas.

Untuk melepaskan atau memasang insulasi panas (2), matikan heat gun dan biarkan menjadi dingin.

Contoh penggunaan (lihat gambar A–D)

Gambar-gambar dari contoh penggunaan terdapat pada halaman bergambar.

Jarak nozel dengan benda kerja disesuaikan dengan material yang dikerjakan (logam, plastik, dsb.) dan jenis pengerjaan yang diinginkan.

Suhu optimal untuk tiap pemakaian ditentukan dengan uji coba.

Selalu lakukan uji coba terlebih dulu terkait volume udara dan suhu. Mulai dengan jarak yang lebih besar dan level daya yang rendah. Sesuaikan jarak dan level daya sesuai kebutuhan.

Jika Anda ragu dengan jenis material yang dikerjakan atau dampak udara panas terhadap material, maka lakukanlah uji coba terhadap efeknya di area yang tersembunyi.

Bekerja tanpa aksesoris dapat dilakukan pada semua contoh penggunaan. Dengan menggunakan komponen aksesoris yang direkomendasikan, pekerjaan menjadi lebih mudah dan hasil kerja menjadi jauh lebih bagus.

Semua nozel yang disediakan oleh Bosch sebagai aksesoris dapat digunakan untuk heat gun ini.

- **Hati-hati saat mengganti nozel! Jangan menyentuh nozel yang panas. Biarkan heat gun menjadi dingin dan kenakan sarung tangan pelindung saat mengganti nozel.** Nozel yang panas dapat mengakibatkan luka bakar.

Penyusutan (lihat gambar A)

Pasang nozel reflektor (12) (aksesori). Pilih diameter slang heat-shrink (14) (aksesori) yang sesuai dengan benda kerja. Panaskan slang heat-shrink secara merata hingga membungkus erat benda kerja.

Menghapus cat/perekat (lihat gambar B)

Pasang nozel pipih (10) (aksesori). Lunakkan cat sebentar dengan udara panas dan bersihkan cat dengan alat pengerik yang bersih. Paparan udara panas yang lama akan membakar cat sehingga menyulitkan proses pembersihan.

Lem perekat yang banyak akan menjadi lunak akibat panas. Pada perekat yang telah dipanaskan, sambungan dapat dilepaskan atau perekat yang berlebih dapat dibersihkan.

Mencairkan es dalam saluran air (lihat gambar C)

- **Sebelum dipanaskan, periksa apakah pipa yang akan dipanaskan benar-benar merupakan pipa air.** Pipa gas seringkali dipandang sebagai pipa air. Jangan sekali-kali memanaskan pipa gas.

Pasang nozel sudut (11) (aksesori). Panaskan area yang membeku terutama dari outlet dalam saluran intake.

Pipa berbahan sintetik serta sambungan antar pipa harus dipanaskan dengan sangat hati-hati agar tidak terjadi kerusakan.

Menyolder (lihat gambar D)

Pasang nozel reduksi (13) (aksesori).

Jika digunakan bahan tambahan tanpa obat solder, berikan minyak atau pasta solder pada tempat yang disolder. Panaskan area yang disolder lalu aplikasikan solder. Bahan tambahan akan mencair akibat suhu benda kerja. Setelah tempat yang disolder menjadi dingin, bersihkan obat solder.

Perawatan dan servis

Perawatan dan pembersihan

- Keluarkan baterai sebelum melakukan pengerjaan apa pun pada heat gun (misalnya merawat, mengganti alat kerja, dsb.) serta saat mengangkat dan menyimpan heat gun.
- Jaga kebersihan heat gun dan lubang ventilasi agar perkakas dapat digunakan dengan baik dan aman.

Layanan pelanggan dan konsultasi penggunaan

Layanan pelanggan Bosch menjawab semua pertanyaan Anda tentang reparasi dan perawatan serta tentang suku cadang produk ini. Gambaran teknis (exploded view) dan informasi mengenai suku cadang dapat ditemukan di:

www.bosch-pt.com

Tim konsultasi penggunaan Bosch akan membantu Anda menjawab pertanyaan seputar produk kami beserta aksesorinya.

Jika Anda hendak menanyakan sesuatu atau memesan suku cadang, selalu sebutkan nomor model yang terdiri dari 10 angka dan tercantum pada label tipe produk.

Indonesia

PT Robert Bosch
Palma Tower 10th Floor
Jalan RA Kartini II-S Kaveling 6
Pondok Pinang, Kebayoran Lama
Jakarta Selatan 12310
Tel.: (021) 3005 5800
Fax: (021) 3005 5801
E-Mail: boschpowertools@id.bosch.com
www.bosch-pt.co.id

Alamat layanan lainnya dapat ditemukan di:

www.bosch-pt.com/serviceaddresses

Transpor

Pada baterai-baterai li-ion yang digunakan diterapkan persyaratan terkait peraturan-peraturan tentang bahan-bahan yang berbahaya. Baterai-baterai dapat diangkut oleh penggunanya tanpa pembatasan lebih lanjut di jalan.

Pada pengiriman oleh pihak ketiga (misalnya transportasi udara atau perusahaan ekspedisi) harus ditaati syarat-syarat terkait kemasan dan pemberian tanda. Dalam hal ini, diperlukan konsultasi dengan ahli bahan-bahan berbahaya saat mengatur barang pengiriman.

Kirimkan baterai hanya jika housing-nya tidak rusak. Tutup bagian-bagian yang terbuka dan kemas baterai agar tidak bergerak-gerak di dalam kemasan. Taatilah peraturan-

peraturan nasional lainnya yang mungkin lebih rinci yang berlaku di negara Anda.

Cara membuang



Heat gun, baterai, aksesoris, dan kemasan harus didaur ulang secara ramah lingkungan.



Jangan membuang heat gun dan baterai bersama dengan sampah rumah tangga!

Baterai:

Li-ion:

Perhatikanlah petunjuk-petunjuk dalam bab Transpor (lihat „Transpor“, Halaman 45).

Tiếng Việt

Hướng dẫn an toàn



Đọc kỹ mọi cảnh báo an toàn và mọi hướng dẫn. Không tuân thủ mọi cảnh báo và hướng dẫn được liệt kê dưới đây có thể bị điện giật, gây cháy và / hay bị thương tật nghiêm trọng.

Hãy giữ tất cả tài liệu về cảnh báo và hướng dẫn để tham khảo về sau.

- Loại quạt gió thổi nóng này không nhằm mục đích sử dụng cho trẻ em và những người bị hạn chế về thể chất, tinh thần hoặc thiếu nhận biết hoặc thiếu kinh nghiệm hoặc thiếu kiến thức. Quạt gió thổi nóng này có thể dành cho trẻ em từ 8 tuổi trở lên và người bị hạn chế về thể chất, khả năng giác quan kém hoặc tâm thần hoặc thiếu kinh nghiệm và thiếu hiểu biết sử dụng, chỉ khi họ được một người chịu trách nhiệm cho sự an toàn của họ giám sát hoặc đã được người này hướng dẫn sử dụng quạt

gió thổi nóng trong môi trường an toàn và hiểu được những nguy hiểm có liên quan. Nếu không sẽ có nguy cơ sai sót khi vận hành và bị thương tích.

- ▶ **Hãy giám sát trẻ nhỏ khi sử dụng, làm sạch và bảo dưỡng.** Để đảm bảo rằng, trẻ em không chơi với quạt gió thổi nóng này.
- ▶ **Sử dụng súng phun hơi nóng cẩn thận.** Súng phun hơi nóng tạo ra sức nóng mạnh, mà có thể dẫn đến nguy cơ cháy và nổ.
 - ▶ **Hãy cẩn thận, nếu bạn làm việc ở gần các chất dễ cháy.** Dòng khí nóng hoặc vòi phun nóng có thể đốt cháy bụi hoặc khí.
 - ▶ **Không làm việc với súng phun hơi nóng trong môi trường dễ nổ.**
 - ▶ **Không chia dòng khí nóng cùng vào một chỗ trong thời gian dài.** Các khí dễ cháy có thể xuất hiện khi gia công nhựa, màu, sơn hoặc chất tương tự.
 - ▶ **Hãy chú ý rằng hơi nóng có thể được dẫn đến các chất dễ cháy bị che khuất và đốt cháy chúng.**
 - ▶ **Sau khi sử dụng, hãy đặt súng phun hơi nóng chắc chắn và để mát hoàn toàn trên giá đỡ trước khi đóng gói mang đi.** Vòi phun nóng có thể gây hư hỏng.
 - ▶ **Không bỏ mặc súng phun hơi nóng đang bật.**
 - ▶ **Cất giữ súng phun hơi nóng không dùng tới nơi trẻ em không lấy được.** Và không cho người chưa từng biết súng phun hơi nóng hay các hướng dẫn này sử dụng súng phun hơi nóng. Súng phun hơi nóng sẽ gây nguy hiểm, nếu chúng được sử dụng bởi người không có kinh nghiệm.
 - ▶ **Giữ súng phun hơi nóng tránh xa mưa hoặc ẩm ướt.** Nước xâm nhập vào súng phun hơi nóng sẽ làm tăng nguy cơ điện giật.
 - ▶ **Luôn mang kính bảo hộ.** Kính bảo hộ sẽ giảm thiểu nguy cơ bị thương.
 - ▶ **Hãy tháo pin trước khi tiến hành bất kỳ điều chỉnh nào cho thiết bị, thay phụ kiện, hay cất súng phun hơi nóng.** Các biện pháp ngăn ngừa

như vậy làm giảm nguy cơ súng phun hơi nóng khởi động bất ngờ.



Thông khí nơi làm việc của bạn. Khi làm việc khí và hơi xuất hiện thường gây hại sức khỏe.

- ▶ **Mang găng tay bảo vệ và không chạm vào vòi phun nóng.** Có nguy cơ cháy.
- ▶ **Không chia dòng khí nóng vào người hoặc động vật.**
- ▶ **Chỉ sử dụng súng phun hơi nóng làm máy sấy tóc.** Dòng khí trào ra sẽ nóng hơn khi ở máy sấy tóc.
- ▶ **Đảm bảo rằng không có vật lạ ở trong súng phun hơi nóng.**
- ▶ **Khoảng cách của vòi phun đến phiê gia công tùy thuộc vào nguyên liệu được gia công (Kim loại, nhựa, vv.) và kiểu gia công.** Luôn kiểm tra luồng không khí và nhiệt độ.
- ▶ **Không được tháo pin ra.** Nguy cơ bị chập mạch.
- ▶ **Trong trường hợp pin bị hỏng hay sử dụng sai cách, hơi nước có thể bốc ra. Pin có thể cháy hoặc nổ.** Hãy làm cho thông thoáng khí và trong trường hợp bị đau phải nhờ y tế chữa trị. Hơi nước có thể gây ngứa hệ hô hấp.
- ▶ **Khi sử dụng sai hoặc khi pin hỏng, dung dịch dễ cháy từ pin có thể tứa ra. Nếu vô tình chạm phải, hãy xối nước để rửa. Nếu dung dịch vào mắt, cần thêm sự hỗ trợ của y tế. Nếu chất lỏng dính vào mắt, yêu cầu ngay sự giúp đỡ của bác sĩ.** Dung dịch tiết ra từ pin có thể gây ngứa hay bỏng.
- ▶ **Pin có thể bị hư hại bởi các vật dụng nhọn như đinh hay tuốc-nơ-vít hoặc bởi các tác động lực từ bên ngoài.** Nó có thể dẫn tới đoản mạch nội bộ và làm pin bị cháy, bốc khói, phát nổ hoặc quá nóng.
- ▶ **Khi không sử dụng pin, để cách xa các vật bằng kim loại như kẹp giấy, tiền xu, chìa khoá, đinh, ốc vít hay các đồ vật kim loại nhỏ khác, thứ có thể tạo sự nối tiếp từ một đầu cực với một đầu cực khác.** Sự chập mạch của các đầu cực với nhau có thể gây bỏng hay cháy.
- ▶ **Chỉ sử dụng pin trong các sản phẩm của nhà sản xuất.** Chỉ bằng cách này, pin sẽ được bảo vệ tránh nguy cơ quá tải.
- ▶ **Chỉ được sạc pin lại với bộ nạp điện do nhà sản xuất chỉ định.** Một bộ nạp điện thích hợp cho một bộ pin nguồn có thể gây nguy cơ cháy khi sử dụng để nạp điện cho một bộ pin nguồn khác.



Bảo vệ pin không để bị làm nóng, ví dụ, chống để lâu dài dưới ánh nắng gay gắt, lửa, chất bẩn, nước, và sự ẩm ướt. Có nguy cơ nổ và chập mạch.

Mô Tả Sản Phẩm và Đặc Tính Kỹ Thuật

Xin lưu ý các hình minh hoạt trong phần trước của hướng dẫn vận hành.

Sử dụng đúng cách

Súng phun hơi nóng được thiết kế để tạo dáng, hàn nhựa mù, loại bỏ sơn và làm nóng loại ống co nhiệt. Nó cũng phù hợp để hàn điện và mạ thiếc, nối lỏng các mối nối keo và làm tan băng của đường ống nước.

Súng phun hơi nóng chỉ được thiết kế để sử dụng bằng tay có giám sát.

► **Không đặt súng phun hơi nóng vào vùng có nguy cơ nổ, gần các vật liệu dễ cháy hoặc bụi dễ bắt lửa.**

Các bộ phận được minh họa

Sự đánh số các đặc điểm của sản phẩm để tham khảo hình minh họa của súng phun hơi nóng trên trang hình ảnh.

- (1) Vòi ống
- (2) Chống nhiệt, có thể tháo
- (3) Cài đặt mức công suất
- (4) Công tắc mở khóa
- (5) Công tắc Tắt/Mở
- (6) Đèn làm việc LED
- (7) Đèn báo trạng thái nạp pin^{a)}
- (8) Nút tháo pin^{a)}
- (9) Pin^{a)}
- (10) Vòi phun det^{a)}
- (11) Vòi dạng góc^{a)}
- (12) Vòi phun bộ phận xạ^{a)}
- (13) Vòi thuôn nhỏ^{a)}
- (14) Ống co ngót^{a)}

a) **Phụ tùng được trình bày hay mô tả không phải là một phần của tiêu chuẩn hàng hóa được giao kèm theo sản phẩm. Bạn có thể tham khảo tổng thể các loại phụ tùng, phụ kiện trong chương trình phụ tùng của chúng tôi.**

Thông số kỹ thuật

Súng Phun Hơi Nóng		GHG 18V-50
Mã số máy		3 601 BA6 5..
Điện thế danh định	V=	18
Lượng khí tối đa	l/min	175
Nhiệt độ ở đầu ra vòi phun ^{A)}	°C	300/500
Độ chính xác đo nhiệt độ		±10 %
Trọng lượng theo Qui trình EPTA-Procedure 01:2014	kg	0,93–2,0 ^{B)}

Súng Phun Hơi Nóng		GHG 18V-50
Kích thước (Chiều dài × rộng × cao)	mm	183 × 77 × 209
Nhiệt độ môi trường được khuyến nghị khi sạc	°C	0 ... +35
Nhiệt độ môi trường cho phép trong quá trình vận hành ^{C)} và trong quá trình lưu trữ	°C	-20 ... +50
Pin được khuyến dùng (từ 4 Ah)		GBA 18V... ProCORE18V...
Thiết bị nạp được giới thiệu		GAL 18... GAX 18... GAL 36...

- A) Ở nhiệt độ xung quanh 20 °C
 B) tùy vào loại pin lốc đang sử dụng
 C) hiệu suất giới hạn ở nhiệt độ <0 °C

Pin

Lắp pin

► **Không dùng sức khi sử dụng pin.** Pin được thiết kế để chỉ có thể được lắp vào đúng vị trí trong súng phun hơi nóng.

Hãy đẩy pin đã sạc vào giá gắn pin cho đến khi nó vào khớp.

Pin Li-Ion được bảo vệ ngăn sự phóng điện quá lớn nhờ vào "Electronic Cell Protection (ECP)". Nếu pin bị phóng điện, súng phun hơi nóng sẽ được ngắt bởi một mạch bảo vệ.

Qui trình hoạt động được chia ra làm hai giai đoạn.

Tháo pin ra

Để tháo pin bạn hãy ấn nút mở khóa pin và kéo pin ra. **Không dùng sức.**

Đèn báo trạng thái nạp pin

Các đèn LED màu xanh của màn hình hiển thị tình trạng sạc pin chỉ ra tình trạng sạc của pin. Vì lý do an toàn, ta chỉ có thể kiểm tra trạng thái của tình trạng nạp điện khi súng phun hơi nóng đã ngừng hoạt động hoàn toàn.

Để hiển thị tình trạng nạp, bạn hãy nhấn nút để hiển thị mức sạc ☺ hoặc ☹. Điều này cũng có thể thực hiện khi ắc quy được tháo ra.

Đèn LED không sáng sau khi nhấn nút để hiển thị mức sạc có nghĩa là pin bị hỏng và phải được thay thế.

Kiểu pin GBA 18V...

LED	Điện dung
Đèn sáng liên tục 3 x màu xanh lá	60–100 %
Đèn sáng liên tục 2 x màu xanh lá	30–60 %
Đèn sáng liên tục 1 x màu xanh lá	5–30 %
Đèn nhấp nháy 1 x màu xanh lá	0–5 %

Kiểu pin ProCORE18V...

LED	Điện dung
Đèn sáng liên tục 5 x màu xanh lá	80–100 %
Đèn sáng liên tục 4 x màu xanh lá	60–80 %
Đèn sáng liên tục 3 x màu xanh lá	40–60 %
Đèn sáng liên tục 2 x màu xanh lá	20–40 %
Đèn sáng liên tục 1 x màu xanh lá	5–20 %
Đèn nhấp nháy 1 x màu xanh lá	0–5 %

Vận Hành

Bắt Đầu Vận Hành

- ▶ **Hãy tháo pin trước khi thay phụ kiện, hay cất súng phun hơi nóng.** Các biện pháp ngăn ngừa như vậy làm giảm nguy cơ súng phun hơi nóng khởi động bất ngờ.

Khởi bốc ra ở lần vận hành đầu tiên

Các bề mặt kim loại có lớp phủ được chống mòn tại xưởng. Lớp bảo vệ này bốc hơi ở lần vận hành đầu tiên.

Súng phun hơi nóng có thể bị đổi màu trên vòi ống (1). Đó không phải hư hỏng, chức năng của súng phun hơi nóng không bị ảnh hưởng.

Chọn mức công suất

Với cài đặt mức công suất (3) bạn có thể chọn trong số 2 mức công suất khác nhau. Khi chuyển mạch, đèn làm việc LED nhấp nháy nhanh:

- Mức 300 °C
Với mức này bạn có thể khử băng ống nước hoặc xử lý ống co nhiệt. Sau khi bật, nhiệt độ

này sẽ đạt trong dưới 6 s. Thời gian chạy tối đa 21 phút với ắc quy 8 Ah sạc đầy.

- Mức 500 °C
Với mức này bạn có thể loại bỏ sơn hoặc hàn thiếc.

Thông tin về thời gian làm nóng liên quan đến các phép đo ở nhiệt độ phòng.

Mở công tắc

Để **bật** trước hết hãy nhấn công tắc mở khóa (4) và sau đó nhấn công tắc bật/tắt (5). Sau khi khởi động bạn có thể nhả công tắc mở khóa (4), không cần nhấn tiếp công tắc bật/tắt (5) trong khi vận hành. Khi khởi động súng phun hơi nóng, đèn làm việc LED (6) được bật và chiếu sáng vùng làm việc.

Để tắt máy

Để Tắt thả công tắc bật/tắt (5).

Hãy đặt súng phun hơi nóng lên pin (9) để nó giảm nhiệt.

Chống sự khởi động lại

Nếu pin (9) bị tháo ra khỏi súng phun hơi nóng trong khi vận hành và được lắp lại khi nhấn công tắc bật/tắt (5), cơ cấu chống khởi động lại được kích hoạt. Đèn làm việc LED (6) nhấp nháy và súng phun hơi nóng không khởi động.

Hãy nhả công tắc bật/tắt (5) và sau đó bật lại súng phun hơi nóng như bình thường.

Cơ cấu chống quá nhiệt cho pin

Nếu pin (9) quá nóng trong khi vận hành, công suất sẽ giảm. Đèn làm việc LED (6) nhấp nháy chậm nếu công tắc bật/tắt (5) được nhấn.

Nếu súng hơi nóng tiếp tục được vận hành và nhiệt độ trong pin tiếp tục tăng, súng phun hơi nóng sẽ tự tắt.

Công suất giảm

Súng phun hơi nóng tương thích với tất cả các loại pin Bosch Professional 18 V hiện có.

Tuy nhiên, khi vận hành súng phun hơi nóng với pin nhỏ hơn 4 Ah được khuyến nghị, súng phun hơi nóng không đạt được hiệu suất đầy đủ ở mức 500 °C (không đạt được nhiệt độ và lượng khí bị giảm). Để biết rằng súng phun hơi nóng chỉ hoạt động ở mức công suất thấp, đèn LED làm việc (6) sẽ nhấp nháy chậm vài lần khi nó được bật.

Hiện thị LED

Đèn làm việc LED (6) được dùng dưới dạng hiển thị LED trạng thái.

Phản hồi qua LED	Mô tả sự kiện
Nhấp nháy nhanh	Thay đổi nhiệt độ
Nhiều lần nhấp nháy khi khởi động súng phun hơi nóng	Công suất giảm (Sử dụng Pin < 4 Ah)

Phản hồi qua LED	Mô tả sự kiện
Nhấp nháy theo nhịp chậm, nếu công tắc bật/tắt (5) được nhấn	Chống sự khởi động lại Cơ cấu chống quá nhiệt cho pin
Nhấp nháy theo nhịp nhanh, nếu công tắc bật/tắt (5) được nhấn	Lỗi bên trong

Nếu lỗi nội bộ trong súng phun hơi nóng được hiển thị liên tục (Súng phun hơi nóng không khởi động hoặc tắt, nếu nó sẵn sàng vận hành), vui lòng liên hệ với dịch vụ khách hàng.

Hướng Dẫn Sử Dụng

Hướng dẫn: Không để vòi (1) ở quá gần phiôi gia công cần xử lý. Sự tích tụ hơi nóng có thể dẫn đến sự quá nhiệt cho súng phun hơi nóng.

Tháo Vòng Bao Ngoài Chống Nhiệt

Để hoạt động ở những vị trí hẹp bạn có thể loại bỏ chống nhiệt (2) bằng cách xoay.

- ▶ **Thận trọng trước vòi phun nóng!** Sự gia tăng nguy cơ bị bỏng là điều thật sự có thể xảy ra khi làm việc mà không có vòng bao ngoài chống nhiệt.

Để tháo ra hoặc lắp vòng bao ngoài chống nhiệt (2) hãy tắt súng phun hơi nóng và để nguội.

Ví dụ về vận hành (xem hình A–D)

Ta có thể tìm thấy các minh họa ứng dụng bằng các ví dụ trên các trang hình ảnh.

Khoảng cách của vòi phun đến phiôi gia công tùy thuộc vào nguyên liệu được gia công (Kim loại, nhựa, vv.) và kiểu gia công.

Nhiệt độ tối ưu của ứng dụng tương ứng được xác định bằng thử nghiệm thực tế.

Luôn kiểm tra luồng không khí và nhiệt độ. Hãy bắt đầu với khoảng cách lớn hơn và mức công suất thấp. Hãy điều chỉnh khoảng cách và mức công suất phù hợp theo nhu cầu.

Nếu bạn không chắc vật liệu nào bạn gia công hoặc hiệu quả của khí nóng lên vật liệu như thế nào, hãy thử hiệu quả trên một vị trí được che.

Bạn có thể làm việc mà không cần phụ kiện ở tất cả các ví dụ công việc. Tuy nhiên, sự sử dụng các phụ kiện được khuyến dùng, làm cho việc làm được đơn giản hơn và cho kết quả tốt hơn đáng kể.

Bạn có thể sử dụng tất cả vòi phun có sẵn **Bosch** dưới dạng phụ kiện cho súng phun hơi nóng này.

- ▶ **Cẩn thận khi thay vòi! Không chạm vào vòi phun nóng. Hãy để nguội súng phun hơi nóng và đeo găng tay bảo vệ khi thay.** Nguy hiểm do tự gây bỏng vì mũi phun nóng.

Co Ngọt (xem hình A)

Hãy lắp vòi phun bộ phận xạ (12) (phụ kiện). Hãy chọn đường kính của ống co ngọt (14) (phụ kiện) phù hợp với phiôi gia công. Hãy làm nóng ống co

ngọt đồng thời cho đến khi nó nằm khít với phiôi gia công.

Loại Bỏ Vết-ni/Làm Mềm Keo Dán (xem Hình B)

Hãy lắp vòi phun det (10) (phụ kiện). Hãy làm mềm sơn nhanh bằng khí nóng và loại bỏ bằng một dụng cụ nạo sạch. Tiếp xúc lâu với nhiệt nóng có thể làm cháy lớp sơn và khiến việc loại bỏ khó khăn hơn.

Nhiều keo dính sẽ mềm ra nhờ nhiệt. Khi keo nóng, bạn có thể ngắt kết nối hoặc loại bỏ keo dính thừa.

Rã Băng Ống nước (xem Hình C)

- ▶ **Trước khi làm ấm hãy kiểm tra xem đó có thực sự là đường ống nước không.** Bề ngoài của đường ống dẫn nước thường không khác với đường dẫn khí ga. Đường dẫn khí ga dù ở bất cứ tình trạng nào cũng không được gây nóng.

Hãy lắp vòi dạng góc (11) (phụ kiện). Tốt nhất là hãy làm nóng các vị trí bị đóng băng từ lỗ tháo theo hướng lối vào.

Làm nóng ống nhựa mũ cũng như nối các đoạn ống với nhau cần cẩn trọng đặc biệt để tránh làm hư hỏng.

Hàn Mềm (xem hình D)

Hãy lắp vòi thôn nhỏ (13) (phụ kiện).

Nếu hàn mà không sử dụng chất trợ dung hàn, hãy tra mỡ hay bột nhào hàn vào vị trí sẽ được hàn. Hãy làm nóng vị trí được hàn và cho chất hàn vào. Chất hàn phải tan chảy từ nhiệt độ của chi tiết gia công.

Sau khi vị trí hàn nguội xuống, loại bỏ chất trợ dung hàn.

Bảo Dưỡng và Bảo Quản

Bảo Dưỡng Và Làm Sạch

- ▶ **Trước khi tiến hành bất cứ công việc gì với súng phun hơi nóng (ví dụ bảo dưỡng, thay dụng cụ v.v.) cũng như khi vận chuyển hay lưu kho, tháo pin ra khỏi súng phun hơi nóng.**
- ▶ **Để được an toàn và máy hoạt động đúng chức năng, luôn luôn giữ súng phun hơi nóng và các khe thông gió được sạch.**

Dịch vụ hỗ trợ khách hàng và tư vấn sử dụng

Bộ phận phục vụ hàng sau khi bán của chúng tôi trả lời các câu hỏi liên quan đến việc bảo dưỡng và sửa chữa các sản phẩm cũng như phụ tùng thay thế của bạn. Sơ đồ mô tả và thông tin về phụ tùng thay thế cũng có thể tra cứu theo dưới đây:

www.bosch-pt.com

Đội ngũ tư vấn sử dụng của Bosch sẽ giúp bạn giải đáp các thắc mắc về sản phẩm và phụ kiện.

Trong tất cả các phản hồi và đơn đặt phụ tùng, xin vui lòng luôn luôn nhập số hàng hóa 10 chữ số theo nhãn của hàng hóa.

Việt Nam

CN CÔNG TY TNHH BOSCH VIỆT NAM TẠI

TP.HCM

Tầng 14, Ngôi Nhà Đức, 33 Lê Duẩn

Phường Bến Nghé, Quận 1, Thành Phố Hồ Chí Minh

Tel.: (028) 6258 3690

Fax: (028) 6258 3692 - 6258 3694

Hotline: (028) 6250 8555

Email: tuvankhachhang-pt@vn.bosch.com

www.bosch-pt.com.vn

www.baohanhbosch-pt.com.vn

Xem thêm địa chỉ dịch vụ tại:

www.bosch-pt.com/serviceaddresses

Vận chuyển

Pin có chứa Li-Ion là đối tượng phải tuân theo các quy định của Pháp Luật về Hàng Hóa Nguy Hiểm. Người sử dụng có thể vận chuyển pin hợp khối bằng đường bộ mà không cần thêm yêu cầu nào khác.

Khi được vận chuyển thông qua bên thứ ba (vd. vận chuyển bằng đường hàng không hay đại lý giao nhận), phải tuân theo các yêu cầu đặc biệt về đóng gói và dán nhãn. Phải tham vấn chuyên gia về hàng hóa nguy hiểm khi chuẩn bị gói hàng.

Chỉ gửi pin hợp khối khi vỏ ngoài không bị hư hỏng. Dán băng keo hay che kín các điểm tiếp xúc hở và đóng gói pin hợp khối theo cách sao cho pin không thể xê dịch khi nằm trong bao bì. Ngoài ra, xin vui lòng chấp hành các quy định chi tiết có thể được bổ sung thêm của quốc gia.

Sự thải bỏ



Súng phun hơi nóng, pin, phụ kiện và bao bì cần được tái sử dụng theo quy định về môi trường.



Không vứt súng phun hơi nóng và pin/ắc quy cùng trong rác thải của gia đình!

Pin/ắc quy:

Li-Ion:

Tuân thủ những hướng dẫn trong phần vận chuyển (xem „Vận chuyển“, Trang 50).

الساخن، مما يزيد خطر حدوث حريق أو انفجار.

- ◀ **توخى الحذر الشديد عند العمل بالقرب من مواد مشتعلة.** قد يؤدي تيار الهواء الساخن أو الفوهة الساخنة إلى اشتعال الغبار أو الغازات.
- ◀ **لا تعمل بمنفاخ الهواء الساخن في الأماكن المعرضة للانفجار.**
- ◀ **لا تقم بتسليط تيار الهواء الساخن على نفس الموضع لفترة طويلة.** قد تنتج غازات قابلة للاشتعال، ويحدث ذلك على سبيل المثال من جراء العمل على مواد بلاستيكية أو ألوان أو طلاءات أو مواد مشابهة.
- ◀ **انتبه إلى أن سخونة قد تصل إلى المواد القابلة للاشتعال غير الظاهرة مما يسبب اشتعالها.**
- ◀ **بعد الاستخدام خزن منفاخ الهواء الساخن بشكل آمن، ودعه يبرد تمامًا على سطح التخزين قبل وضعه في عيوته.** قد يتسبب المنفث الساخن في أضرار.
- ◀ **لا تدع منفاخ الهواء الساخن مشغلاً دون مراقبة.**
- ◀ **احتفظ بمنفاخ الهواء الساخن الذي لا يتبع استخدامه بعيداً عن متناول الأطفال.** لا تسمح باستخدام منفاخ الهواء الساخن للأشخاص الذين لا دراية لهم به أو لم يقرأوا تلك التعليمات. تعتبر منافخ الهواء خطيرة إذا تم استعمالها من قبل أشخاص ليس لديهم خبرة.
- ◀ **أبعد منفاخ الهواء الساخن عن الأمطار أو الرطوبة.** يزداد خطر الصدمات الكهربائية في حالة تسرب الماء إلى داخل منفاخ الهواء الساخن.
- ◀ **احرص دائماً على ارتداء نظارة واقية.** فالنظارة الواقية تقلل خطر حدوث إصابات.
- ◀ **قم بخلع المرمك قبل تغيير أو وضع ضبط الجهاز، أو تغيير الأجزاء الملحقة، أو وضع منفاخ الهواء الساخن جانباً.** يمنع هذا الإجراء الاحترازي بدء تشغيل منفاخ الهواء الساخن بشكل غير مقصود.
- ◀ **قم بتهوئة مكان العمل بشكل جيد.** الغازات والأبخرة المتولدة أثناء العمل تكون مضرّة بالصحة غالباً.
- ◀ **قم بارتداء قفازات واقية ولا تلمس الفوهة الساخنة.** حيث ينطوي الأمر على خطر الإصابة بحروق.
- ◀ **لا تقم بتوجيه تيار الهواء الساخن نحو الأشخاص أو الحيوانات.**
- ◀ **لا تستخدم منفاخ الهواء الساخن كمجفف شعر.** فتيار الهواء الذي يخرج يكون أكثر سخونة من تيار هواء مجفف الشعر.
- ◀ **احرص على ألا تدخل أجسام غريبة إلى منفاخ الهواء الساخن.**
- ◀ **تعتمد المسافة بين المنفث وقطعة الشغل على الغاية المراد معالجتها (المعدن، البلاستيك وما شابه) ونوع المعالجة المرغوبة.** احرص دائماً على القيام بعمل اختبار لكمية الهواء ودرجة الحرارة أولاً.



إرشادات الأمان

اقرأ جميع إرشادات الأمان والتعليمات. إن ارتكاب الأخطاء عند تطبيق إرشادات الأمان والتعليمات قد يؤدي إلى حدوث صدمات الكهربائية، و إلى نشوب الحرائق و/أو الإصابة بجروح خطيرة. احتفظ بجميع الملاحظات التحذيرية والتعليمات للمستقبل.

- ◀ **منفاخ الهواء الساخن هذا غير مخصص لاستعمال الأطفال والأشخاص الذين يعانون من نقص في القدرات البدنية أو الحسية أو العقلية أو الذين ليست لديهم الدراية والمعرفة.** لا يمكن استخدام منفاخ الهواء الساخن هذا من قبل الأطفال من 8 سنوات فأكثر، بالإضافة للأشخاص الذين يعانون من نقص في القدرات البدنية أو الحسية أو العقلية أو الذين ليست لديهم الدراية والمعرفة، إلا في حالة الإشراف عليهم من قبل شخص مسؤول عن سلامتهم أو إذا تم إرشادهم إلى كيفية التعامل الآمن مع منفاخ الهواء الساخن، وإلى الأخطار المرتبطة به. وإلا فقد ينشأ خطر من الاستخدام الخاطئ أو من جراء وقوع إصابات.
- ◀ **احرص على مراقبة الأطفال عند الاستخدام والتنظيف والصيانة.** وذلك لضمان عدم عبث الأطفال بمسدس الهواء الساخن.
- ◀ **تعامل بحرص مع منفاخ الهواء الساخن.** تتولد حرارة شديدة من منفاخ الهواء

الأجزاء المصورة

يشير ترقيم الأجزاء المصورة إلى الصورة المعروضة لمنفاخ الهواء الساخن في صفحة الرسوم.

- (1) فوهة
- (2) واقي الحرارة، قابل للخلع
- (3) وضع ضبط الدرجات
- (4) مفتاح فك الإقفال
- (5) مفتاح التشغيل والإطفاء
- (6) ضوء العمل LED
- (7) مؤشر حالة شحن المرمك^(a)
- (8) زر تمرير المرمك^(a)
- (9) المرمك^(a)
- (10) فوهة الأسطح^(a)
- (11) فوهة زاوية^(a)
- (12) فوهة العاكس^(a)
- (13) فوهة التقليل^(a)
- (14) الخرطوم الانكماش^(a)

(a) لا يتضمن إطار التوريد الاعتيادي التوابع المصورة أو المشروحة. تجد التوابع الكاملة في برنامجنا للتوابع.

البيانات الفنية

منفاخ الهواء الساخن		GHG 18V-50	
رقم الصنف	3 601 BA6 5..		
الجهد الاسمي	فلط=	18	
أقصى كمية هواء	لتر/ دقيقة	175	
درجة حرارة فتحة الفوهة ^(A)	°م	300/500	
دقة قياس درجة الحرارة		±10%	
الوزن حسب EPTA-Procedure 01:2014	كجم	0,93-2,0 ^(B)	
الأبعاد (الطول × العرض × الارتفاع)	مم	209 × 77 × 183	
درجة الحرارة المحيطة الموصى بها عند الشحن	°م	35+ ... 0	
درجة الحرارة المحيطة المسموحة عند التشغيل ^(C) وعند التخزين	°م	50+ ... 20-	
المراكم الموصى بها (بدءاً من 4 أمبير ساعة)		GBA 18V... ProCORE18V...	
أجهزة الشحن الموصى بها		GAL 18... GAX 18... GAL 36...	

(A) عند درجة حرارة مميطة 20 °م

(B) حسب المرمك المستخدم

(C) قدرة محدودة في درجات الحرارة > 0 °م

◀ لا تفتح المرمك. يتشكل خطر تقصير الدائرة الكهربائية.

◀ قد تطلق أبخرة عند تلف المرمك واستخدامه بطريقة غير ملائمة. يمكن أن يحترق المرمك أو يتعرض للانفجار. أمن توفر الهواء النقي وراجع الطبيب إن شعرت بشكوى. قد تهيج هذه الأبخرة المجاري التنفسية.

◀ في حالة سوء الاستعمال أو تلف المرمك فقد يتسرب السائل القابل للاشتعال من المرمك. تجنب ملامسته. اشطفه بالماء في حال ملامسته بشكل غير مقصود. في حالة وصول السائل إلى العينين، فراجع الطبيب إضافة إلى ذلك. قد يؤدي سائل المرمك المتسرب إلى تهيج البشرة أو إلى الاحتراق.

◀ يمكن أن يتعرض المرمك لأضرار من خلال الأشياء المدببة مثل المسامير والمفكات أو من خلال تأثير القوى الخارجية. وقد يؤدي هذا إلى تقصير الدائرة الكهربائية الداخلية واحتراق المرمك أو خروج الأذخنة منه أو انفجاره وتعرضه لسخونة مفرطة.

◀ حافظ على إبعاد المرمك الذي لا يتة استعماله عن مشابك الورق وقطع النقود المعدنية والمفاتيح والمسامير واللواب وغيرها من الأغراض المعدنية الصغيرة التي قد تقوم بتوصيل الملامسين ببعضهما البعض. قد يؤدي تقصير الدارة الكهربائية بين ملامسي المرمك إلى احتراق أو إلى اندلاع النار.

◀ اقتصر على استخدام المرمك في منتجات الجهة الصانعة. يتم حماية المرمك من فرط التحميل الخطير بهذه الطريقة فقط دون غيرها.

◀ اشحن المراكم فقط عبر أجهزة الشحن التي يُنصح باستخدامها من طرف المنتج. ينشأ خطر اندلاع حريق عند استخدام الشواحن المخصصة لنوع معين من المراكم مع نوع آخر من المراكم.

احرص على حماية المرمك من الحرارة، بما ذلك التعرض لأشعة الشمس باستمرار ومن النار والانساخ والماء والرطوبة. حيث ينشأ خطر الانفجار وخطر حدوث دائرة قصر.



وصف المنتج والأداء

يرجى الرجوع إلى الصور الموجودة في الجزء الأول من دليل التشغيل.

الاستعمال المخصص

منفاخ الهواء الساخن مخصص للحم اللدائن وتغيير أشكالها وإزالة الطلاء ولتسخين الخراطيم الانكماشية. وهي مناسبة أيضاً لأعمال اللام العادية وللحم بالقصدير وفك وصلات اللصق وإزالة التجمد عن مواسير المياه.

منفاخ الهواء الساخن مصمم للاستخدام باليد تمت إشراف.

◀ لا تضع منفاخ الهواء الساخن في المناطق المعرضة لخطر الانفجار أو بالقرب من الخامات القابلة للاشتعال أو الغبار القابل للاشتعال.

التشغيل

بدء التشغيل

◀ **قم بخلع المركم قبل تغيير أجزاء الملحقات أو وضع منفاخ الهواء الساخن جانبًا.** يمنع هذا الإجراء الاحترازي بدء تشغيل منفاخ الهواء الساخن بشكل غير مقصود.

تصاعد الدخان عند التشغيل للمرة الأولى

تم تزويد الأسطح المعدنية من قبل المصنع بطبقة طلاء لحمايتها من التآكل. حيث تتبخر تلك الطبقة عند التشغيل للمرة الأولى.
نتيجة لعملية التصنيع قد يكون لون الفوهة (1) الخاصة بمنفاخ الهواء الساخن متغير بعض الشيء. لكن هذا لا يشير إلى وجود أضرار أو عطل في وظيفة منفاخ الهواء الساخن.

اختيار الدرجة

عن طريق وضع ضبط الدرجات (3) يمكنك الاختيار بين درجتين مختلفتين. عند التحويل بين الوضعين يومض ضوء العمل LED لهلة قصيرة:

- الدرجة 300 °م باستخدام هذه الدرجة يمكنك إزالة التجمد عن مواسير المياه ومعالجة الخراطيم الانكماشية. بعد التشغيل يتم الوصول إلى درجة الحرارة هذه في أقل من 6 ثوان. عند شمن المركم 8 أمبير ساعة بشكل تام تبلغ فترة التشغيل حوالي 21 دقيقة.
- الدرجة 500 °م باستخدام هذه الدرجة يمكنك إزالة الطلاء أو عمل لحام لين.

البيانات المتعلقة بزمان التسخين منسوبة إلى قياسات في درجة حرارة الغرفة.

التشغيل

لغرض **التشغيل** اضغط أولاً على مفتاح فك الإقفال (4) ثم على مفتاح التشغيل والإطفاء (5). بعد التشغيل يمكنك ترك مفتاح فك الإقفال (4) يجب ألا يستمر الضغط على مفتاح فك الإقفال (4) أثناء التشغيل.

عند تشغيل منفاخ الهواء الساخن يتم تشغيل ضوء العمل LED (6) لإضاءة نطاق العمل.

الإيقاف

لغرض الإطفاء اترك مفتاح التشغيل والإطفاء (5). ضع منفاخ الهواء الساخن على المركم (9) حتى يبرد.

واقية إعادة التشغيل

إذا تم خلخ المركم (9) من منفاخ الهواء الساخن أثناء التشغيل، وتم تركيبه مرة أخرى بينما مفتاح التشغيل والإطفاء (5) مضغوطة يتم تفعيل واقية إعادة التشغيل. يومض ضوء العمل LED (6) ولا يتم تشغيل منفاخ الهواء الساخن.

اترك مفتاح التشغيل والإطفاء (5) ثم قم بتشغيل منفاخ الهواء الساخن كالمعتاد.

واقية فرط سخونة المركم

إذا تعرض المركم (9) للسخونة المفرطة أثناء التشغيل يتم تقليل الدرجة. يومض ضوء العمل LED (6) ببطء طالما ظل مفتاح التشغيل والإطفاء (5) مضغوطة.

مركم

تركيب المركم

◀ **لا تستخدم القوة عند تركيب المركم.** المركم مصمم بحيث لا يمكن إدخاله في منفاخ الواء الساخن إلا وهو في الوضع الصحيح.

أدخل المركم المشحون في موضع تثبيت المركم إلى أن يثبت بشكل ملموس.

تم وقاية مركم أيونات الليثيوم من التفريغ الشديد بواسطة «Electronic Cell Protection (ECP)» [واقية الخلايا الإلكترونية (ECP)]. يتم إطفاء منفاخ الهواء الساخن من خلال خاصية الفصل الوقائي عندما يفرغ المركم.
تراجعى الملاحظات بصدد التخلص من العدد.

نزع المركم

لخلع المركم اضغط على زر تحرير المركم وأخرج المركم. **لا تستخدم القوة أثناء ذلك.**

مبين حالة شحن المركم

تشير مصابيح الدابود الخضراء الخاصة بمبين حالة شحن المركم إلى حالة شحن المركم. لأسباب تتعلق بالسلامة فإنه لا يمكن الاستعلام عن حالة الشحن إلا ومنفاخ الهواء الساخن متوقف.

اضغط على زر مبين حالة الشحن (8) أو (9) لعرض حالة الشحن. يمكن هذا أيضا والمركم مخرج.

إذا لم يضيء أي مصباح دابود بعد الضغط على زر مبين حالة الشحن، فهذا يعني أن المركم تالف ويجب تغييره.

نوع المركم GBA 18V...



السعة	لمبة LED
100-60 %	ضوء مستمر 3× أخضر
60-30 %	ضوء مستمر 2× أخضر
30-5 %	ضوء مستمر 1× أخضر
5-0 %	ضوء وماض 1× أخضر

نوع المركم ProCORE18V...



السعة	لمبة LED
100-80 %	ضوء مستمر 5× أخضر
80-60 %	ضوء مستمر 4× أخضر
60-40 %	ضوء مستمر 3× أخضر
40-20 %	ضوء مستمر 2× أخضر
20-5 %	ضوء مستمر 1× أخضر
5-0 %	ضوء وماض 1× أخضر

منخفضة. ثم قم بملء المسافة والدرجة حسب الحاجة.
إذا لم تكن متأكدًا من الغاية التي تعمل عليها أو من تأثير الهواء الساخن على الغاية فقم باختبار التأثير على موضع مغطى.

يمكنك العمل مع كافة نماذج العمل دون توابع. يعمل استخدام أجزاء التوابع المقررة على تسهيل العمل، وعلى زيادة جودة النتائج بشكل كبير. مع منفاخ الهواء الساخن هذا يمكنك استخدام كافة الفوهات المتوفرة لدى **Bosch** كتوابع.

◀ **احترس عند استبدال الفوهات! لا تلمس الفوهة الساخنة. اترك منفاخ الهواء الساخن ليبرد وارْتِدِ قفازات واقية عند الاستبدال.** فقد تتعرض للإصابة بمرق من جراء الفوهة الساخنة.

الانكماش (انظر الصورة A)

قم بتركيب المنفت العاكس (12) (التوابع). اختر قطر الخرطوم الانكماش (14) (التوابع) المناسب لقطعة الشغل. سخن الخرطوم الانكماش بالتساوي حتى يلامس قطعة الشغل.

إزالة اللاصق/حل المواد اللاصقة (انظر الصورة B)

قم بتركيب منفت السطوح (10) (التوابع). قم بتطيرب الطلاء قليلا بالهواء الساخن، و قم بإزالته باستخدام مكشطة نظيفة. يؤدي تأثير الحرارة لفترة طويلة إلى احتراق الطلاء، وتجعل إزالته صعبة. تؤدي الحرارة إلى تطيرب الكثير من مواد اللصق. عندما تسخن المادة اللاصقة يمكن فك الالتصاق أو إزالة فائض اللصق.

إذابة الصقيع عن أنابيب الماء (انظر الصورة C)

◀ **تأكد قبل التسخين، من وجود أنابيب مياه أو عدمه.** إن أنابيب الماء لا تختلف بهيئتها الخارجية عن أنابيب الغاز. لا يجوز أبدا أن يتم تسخين أنابيب الغاز.

قم بتركيب المنفت الزاوي (11) (التوابع). قم بتسخين المواضع المجمدة في المقام الأول بالسبر في اتجاه المدخل. تُسخّن الأنابيب اللدائنية وأيضاً الوصلات بين الأنابيب بحذر شديد لتجنب إتلافها.

للحام اللين (انظر الصورة D)

قم بتركيب منفت التقليل (13) (التوابع). إن كنت تستعمل وسيط لحام بلا مادة إزلاق، فقم بوضع شحم لحام أو معجون لحام على مكان اللحام. سخن مكان اللحام وأضف وسيط اللحام. يجب أن يذوب وسيط اللحام من خلال سخونة قطعة الشغل. أزل مادة الإزلاق عند الضرورة بعد أن يبرد مكان اللحام.

الصيانة والخدمة

الصيانة والتنظيف

◀ **اخلع المركم من منفاخ الهواء الساخن قبل إجراء أي أعمال على منفاخ الهواء الساخن (مثلاً: الصيانة، استبدال العدد وإلخ..) وأيضاً عند نقله أو تخزينه.**

في حالة الاستمرار في تشغيل منفاخ الهواء الساخن واستمرار تصاعد درجة حرارة المركم يتم فصل مروحة الهواء الساخن تلقائياً.

الدرجة المنخفضة

منفاخ الهواء الساخن متوافق مع جميع المراكم 18 فلت Bosch Professional المتداولة. في حالة تشغيل منفاخ الهواء الساخن باستخدام مراكم أصغر من المراكم 4 أمبير ساعة الموصى بها لا يصل منفاخ الهواء الساخن إلى الكفاءة الكاملة في الدرجة 500 م° (لا يتم الوصول إلى درجة الحرارة ويتم تخفيض كمية الهواء). لبيان أن منفاخ الهواء الساخن يعمل بقدرة منخفضة يومض ضوء العمل LED (6) عند التشغيل بإيقاع بطيء عدة مرات.

بيانات LED

يُستخدم ضوء العمل LED (6) كمبين حالة LED.

الاستجابة عن طريق ضوء LED

وصف الحدث	تغيير درجة الحرارة	وميض قصير
وميض المتعدد عند تشغيل منفاخ الهواء الساخن	قدرة منخفضة (استخدام المركم > 4 أمبير ساعة)	الوميض بإيقاع بطيء طالما ظل مفتاح التشغيل والإطفاء (5) مضغوطة
وميض بإيقاع سريع طالما ظل مفتاح الإطفاء (5) مضغوطة	واقية إعادة التشغيل واقية فرط سخونة المركم خطأ داخلي	الوميض بإيقاع سريع طالما ظل مفتاح الإطفاء (5) مضغوطة

في حالة الإشارة إلى خطأ داخلي في منفاخ الهواء الساخن بشكل مستمر (منفاخ الهواء الساخن لا يعمل أو توقف أثناء التشغيل)، يرجى التوجه إلى خدمة العملاء.

إرشادات العمل

إرشاد: لا تقرب بافوهة (1) كثيرا من قطعة الشغل المرغوب معالجتها. قد يؤدي تكس الهواء الناتج إلى فرط سخونة منفاخ الهواء الساخن.

فك واقية الحرارة

عند العمل في الأماكن شديدة الضيق يمكنك خلع واقية الحرارة (2) عن طريق إدارته.

◀ **انتبه عند التعامل مع الفوهة الساخنة** يزداد خطر الاحتراق عند العمل بلا واقية الحرارة.

لغرض خلع وتركيب واقية الحرارة (2) قم بإطفاء منفاخ الهواء الساخن واتركه حتى يبرد.

أمثلة العمل (انظر الصور A-D)

تجد صور أمثلة العمل في صفحة الرسوم التخطيطية. تعتمد المسافة بين المنفت وقطعة الشغل على الغاية المراد معالجتها (المعدن، اللدائن وما شابه) ونوع المعالجة المرغوبة.

تحدد درجة الحرارة المثلى لكل استخدام عن طريق التجربة العملية.

احرص دائما على القيام بعمل اختبار لكمية الهواء ودرجة الحرارة أولا. ابدأ بمسافة كبيرة ودرجة

◀ للعمل بشكل جيد وأمن حافظ دائما على نظافة منافخ الهواء الساخن وفتحات التهوية.

خدمة العملاء واستشارات الاستخدام

يجب مركز خدمة العملاء على الأسئلة المتعلقة بإصلاح المنتج وصيانتها، بالإضافة لقطع الغيار. تجد الرسوم التفصيلية والمعلومات الخاصة بقطع الغيار في الموقع: www.bosch-pt.com
يسر فريق Bosch لاستشارات الاستخدام مساعدتك إذا كان لديك أي استفسارات بخصوص منتجاتنا وملحقاتها.

يلزم ذكر رقم الصنف ذو الخانات العشر وفقا للوحة صنع المنتج عند إرسال أية استفسارات أو طلبيات قطع غيار.

المغرب

Robert Bosch Morocco SARL

53، شارع الملازم محمد محروود

20300 الدار البيضاء

الهاتف: +212 5 29 31 43 27

البريد الإلكتروني : sav.outillage@ma.bosch.com

تجد المزيد من عناوين الخدمة تحت:

www.bosch-pt.com/serviceaddresses

النقل

تخضع مراكم أيونات الليثيوم المركبة لأحكام قانون المواد الخطيرة. يسمح للمستخدم أن يقوم بنقل المراكم على الطرقات دون التقيد بأية شروط إضافية.

عندما يتم إرسالها عن طريق طرف آخر (مثلا: الشحن الجوي أو شركة شحن)، يتوجب التقيد بشروط خاصة بصدد التغليف ووضع العلامات. ينبغي استشارة خبير متخصص بنقل المواد الخطيرة عندما يرغب بتحضير المرمك المراد شحنه في هذه الحالة.

لا تقوم بشحن المراكم إلا إذا كان هيكلها الخارجي سليم. قم بتغطية الملامسات المكشوفة ن بلاصقات، و قم بتغليف المرمك بحيث لا يتحرك في الطرد. يرجى أيضا مراعاة التشريعات المحلية المتعلقة إن وجدت.

التخلص من العدة الكهربائية

يجب التخلص من منافخ الهواء الساخن والمراكم والتوابع ومواد التغليف بطريقة محافظة على البيئة عن طريق تسليمها لمراكز النفايات القابلة لإعادة التصنيع.

لا تلق بمنفاخ الهواء الساخن والمراكم/البطاريات ضمن النفايات المنزلية!



المراكم/البطاريات:

مراكم أيونات الليثيوم:

يرجى مراعاة الإرشادات الواردة في جزء النقل (انظر „النقل“، الصفحة 55).

فارسی

دستورات ایمنی



همه دستورات ایمنی و راهنماییها را بخوانید. اشتباهات ناشی از عدم رعایت این دستورات ایمنی ممکن است باعث برقگرفتگی، سوختگی و یا سایر جراحات های شدید شود.

همه هشدارهای ایمنی و راهنماییها را برای آینده خوب نگهداری کنید.

این سشوار صنعتی برای کودکان و سایر افراد دارای کاستیهای روحی و جسمی یا بدون تجربه یا آشنایی در نظر گرفته نشده است. کودکان بالای 8 سال و سایر افراد دارای کاستیهای روحی و جسمی یا بدون تجربه یا آشنایی که نمی توانند این سشوار صنعتی را با اطمینان بکار برند، می توانند از سشوار صنعتی با نظارت یا توجیه روش کاربری و خطرات ممکن بوسیله یک فرد مسؤوول استفاده کنند. در غیر اینصورت خطر کاربری اشتباه و جراحت وجود دارد.

هنگام استفاده، سرویس و تمیز کاری، کودکان را زیر نظر داشته باشید. اینگونه اطمینان حاصل می کنید که کودکان با سشوار صنعتی بازی نمی کنند. با سشوار صنعتی با احتیاط کار کنید. سشوار صنعتی حرارت زیادی تولید می کند که می تواند خطر آتش سوزی یا انفجار شدید را افزایش دهد. بخصوص هنگام کار در نزدیکی مواد قابل اشتعال احتیاط کنید. جریان هوا یا نازل داغ می توانند گرد یا گازها را آتش بزنند.

با سشوار صنعتی در محیط دارای خطر انفجار کار نکنید.

جریان هوای گرم را برای مدت طولانی به طرف یک محل یا جای ثابت نگیرید. هنگام کار با پلاستیک، رنگ، لاک، یا سایر مواد مشابه ممکن است گازهای با قابلیت اشتعال سریع تولید شوند.

دقت کنید که حرارت ممکن است به مواد دارای روکش قابل اشتعال منتقل شود و آنها را آتش بزند.

سشوار صنعتی را پس از استفاده به طور ایمن زمین بگذارید و قبل از کنار گذاشتن آن اجازه دهید کاملاً خنک شود. نازل داغ ممکن است به آسیب دیدگی منجر شود.

چنانچه سشوار صنعتی روشن است، آن را به حال خود رها نکنید.

سشوار صنعتی استفاده نشده را از دسترس کودکان دور نگه دارید. اجازه ندهید افرادی که با سشوار صنعتی آشنایی ندارند یا این دفترچه راهنما را مطالعه نکرده اند، با آن کار کنند. کار کردن افراد بی تجربه با سشوارهای صنعتی خطرناک است.

سشوار صنعتی را از باران یا رطوبت دور نگه دارید. نفوذ آب به سشوار صنعتی، خطر برق گرفتگی را افزایش می دهد.

از عینک ایمنی استفاده کنید. عینک ایمنی خطر جراحت را کاهش می دهد.

خارج کردن باتری قابل شارژ، قبل از اِعمال تنظیمات روی دستگاه، تعویض متعلقات یا کنار گذاشتن آن، الزامی است. رعایت این اقدامات احتیاطی پیش گیرانه، از شروع به کار ناخواسته سشوار صنعتی جلوگیری می کند.

هوای محل کار خود را خوب تهویه کنید. گازها و بخارهای تولید شده هنگام کار برای سلامتی مضر هستند.



از دستکش ایمنی استفاده کنید و به نازل داغ دست نزنید. خطر سوختگی وجود دارد.

جریان هوای داغ را به طرف اشخاص یا حیوانات نگیرید.

از سشوار صنعتی برای خشک کردن موها استفاده نکنید جریان هوای خروجی دستگاه، بسیار داغ تر از سشوار مو است.

دقت کنید که هیچ جسم خارجی وارد سشوار صنعتی نشود.

فاصله نازل تا قطعه کار بستگی به جنس قطعه کار (فلز، پلاستیک، وغيره) و نوع کار روی آن قطعه دارد. همیشه ابتدا مقدار هوا و دما را آزمایش کنید.

باتری را باز نکنید. خطر اتصال کوتاه وجود دارد.

در صورتیکه باتری آسیب دیده باشد و یا از آن بطور بی رویه استفاده شود، ممکن است از باتری بخارهایی بلند شود. باتری ممکن است آتش بگیرد یا منفجر شود. در این حالت هوای محیط را تازه کنید؛ اگر احساس ناراحتی کردید، به پزشک مراجعه نمایید. استنشاق این بخارها ممکن است به مجاری تنفسی شما آسیب برساند.

- (4) کلید آزادسازی
- (5) کلید روشن/خاموش
- (6) چراغ کار LED
- (7) نشانگر وضعیت شارژ باتری^(a)
- (8) دکمه آزادسازی باتری قابل شارژ^(a)
- (9) باتری قابل شارژ^(a)
- (10) نازل تخت^(a)
- (11) نازل سرکج^(a)
- (12) نازل بازتابنده^(a)
- (13) نازل کاهنده^(a)
- (14) وارنیش حرارتی^(a)

(a) کلیه متعلقاتی که در تصویر و یا در متن آمده است، بطور معمول همراه دستگاه ارائه نمی شود. لطفاً لیست کامل متعلقات را از فهرست برنامه متعلقات اقتباس نمایید.

مشخصات فنی

سشوار صنعتی		GHG 18V-50	
3 601 BA6 5..	شماره فنی		
18	ولتاژ نامی	V=	
175	حداکثر میزان هوا	l/min	
300/500	دمای خروجی نازل ^(A)	°C	
%±10	دقت اندازه گیری دما		
0,93-2,0 ^(B)	وزن مطابق استاندارد EPTA-Procedure 01:2014	kg	
183 × 77 × 209	ابعاد (طول × عرض × ارتفاع)	mm	
0 ... +35	دمای توصیه شده محیط هنگام شارژ	°C	
-20 ... +50	دمای مجاز محیط هنگام کار ^(C) و هنگام انبار کردن	°C	
GBA 18V... ProCORE18V...	باتری های قابل شارژ توصیه شده (از 4 Ah)		
GAL 18... GAX 18... GAL 36...	شارژرهای توصیه شده		

(A) دردمای محیط 20 °C
(B) بسته به نوع باتری کاربردی
(C) توان محدود برای دمای °C < 0

باتری قابل شارژ

نحوه قرار دادن باتری قابل شارژ

◀ برای جا انداختن باتری قابل شارژ، از اعمال فشار خودداری کنید. باتری قابل شارژ طوری طراحی شده است که بتوان آن را تنها در موقعیت درست در سشوار صنعتی قرار داد.

باتری شارژ شده را به داخل محفظه باتری قابل شارژ برانید تا جا بیفتد.

باتری قابل شارژ لیتیوم یونی از طریق "Electronic Cell Protection (ECP)" (سیستم

◀ کاربری اشتباه باتری میتواند باعث خروج مایعات از آن شود. از هرگونه تماس با این مایعات خودداری کنید. در صورت تماس اتفاقی با آن، دست خود و یا محل تماس را با آب بشوئید. در صورت آلوده شدن چشم با این مایع، باید به پزشک مراجعه کنید. مایع خارج شده از باتری میتواند باعث التهاب پوست و سوختگی شود.

◀ بوسیله ی اشیاء تیز مانند میخ یا پیچگوشنی یا تأثیر نیروی خارجی ممکن است آسیب ببیند. ممکن است اتصال داخلی رخ دهد و باتری آتش گیرد، دود کند، منفجر شود یا بیش از حد داغ گردد.

◀ در صورت عدم استفاده از باتری باید آنرا از گیره های فلزی، سکه، کلید، میخ، پیچ و دیگر وسائل کوچک فلزی دور نگه دارید، زیرا این وسائل ممکن است باعث ایجاد اتصال شوند. ایجاد اتصال بین دو قطب باتری (ترمینالهای باتری) میتواند باعث سوختگی و ایجاد حریق شود.

◀ تنها از باتری برای محصولات تولیدی شرکت استفاده کنید. فقط در اینصورت باتری در برابر خطر اعمال فشار بیش از حد محافظت میشود.

◀ باتری را تنها توسط دستگاههای شارژ توصیه شده از طرف تولید کننده استفاده کنید. چنانچه از شارژری که برای نوع خاصی از باتری ها در نظر گرفته شده است، جهت شارژ باتریهای دیگر استفاده شود، خطر آتشسوزی وجود دارد.

باتری را در برابر حرارت، از جمله در برابر تابش مداوم خورشید و همچنین در برابر آتش، آلودگی، آب و رطوبت محفوظ بدارید. خطر اتصالی و انفجار وجود دارد.



توضیحات محصول و کارکرد

به تصویرهای واقع در بخشهای اول دفترچه راهنما توجه کنید.

موارد استفاده از دستگاه

این سشوار صنعتی برای فرم دادن و جوش دادن مواد پلاستیکی، رنگ زدایی و برای شیرینک حرارتی در نظر گرفته شده است. همچنین برای لحیم کاری و قلع اندود کردن، جدا کردن اتصالات چسب شده و همچنین برای آب کردن یخ لوله های آب مناسب است.

این سشوار صنعتی جهت استفاده با دست و تحت نظارت در نظر گرفته شده است.

◀ سشوار صنعتی را در مناطق در خطر انفجار، در مجاورت مواد قابل اشتعال یا گرد و غبار قابل احتراق قرار ندهید.

تصاویر اجزاء دستگاه

شماره گذاری تصاویر اجزاء دستگاه بر اساس شکل سشوار صنعتی در صفحه تصاویر است.

(1) نازل

(2) محافظ حرارتی، جداشدنی

(3) تنظیم درجه توان

تولید دود در اولین راهاندازی

سطوح بخش های فلزی از طرف کارخانه به یک لایه ضد زنگ مجهز شده اند. این لایه حفاظتی در اولین راه اندازی، تولید دود می کند. در طی فرایند تولید، ممکن است سشوار صنعتی تغییرات رنگ در نازل (1) نشان دهد. این امر منجر به ایجاد آسیب دیدگی نمی شود، و عملکرد سشوار صنعتی را تحت تأثیر قرار نمی دهد.

انتخاب درجه توان

با تنظیم درجه توان (3) می توانید از بین 2 درجه توان مختلف انتخاب کنید. هنگام تعویض، چراغ کار LED کوتاه چشمک می زند:

- درجه 300 °C
در این درجه می توانید برای مثال لوله های آب را یخ زدایی کنید یا برای شیرینک حرارتی استفاده کنید. پس از روشن شدن، در کمتر از 6 s به این دما می رسد. با یک باتری کاملاً شارژ شده 8 Ah، مدت زمان کار تا 21 min است.

- درجه 500 °C
در این درجه می توانید رنگ زدایی یا لمیم کاری نرم کنید.

اطلاعات مربوط به زمان گرم شدن بر اساس اندازه گیری در دمای اتاق است.

روشن کردن

برای روشن کردن ابتدا کلید آزادسازی (4) و سپس کلید روشن/خاموش (5) را فشار دهید. پس از شروع می توانید کلید آزادسازی (4) را رها کنید، کلید آزادسازی (4) را نباید دیگر در حین کار فشار داد. هنگام شروع به کار سشوار صنعتی، چراغ کار LED (6) روشن شده و محدوده کار را روشن می کند.

خاموش کردن

برای خاموش کردن، کلید روشن/خاموش (5) را آزاد کنید.

سشوار صنعتی را روی باتری قابل شارژ (9) قرار دهید تا خنک شود.

محافظ استارت مجدد

چنانچه باتری قابل شارژ (9) را در حین کار از سشوار صنعتی خارج کنید و آن را مجدداً در حالی که کلید روشن/خاموش (5) هنوز فشرده است، جا بیندازید، محافظ استارت مجدد فعال می شود. چراغ کار LED (6) چشمک می زند و سشوار صنعتی شروع به کار نمی کند.

کلید روشن/خاموش (5) را آزاد کرده و سپس سشوار صنعتی را مانند قبل روشن کنید.

محافظ گرمای بیش از حد برای باتری قابل شارژ

اگر در حین کار باتری قابل شارژ (9) بیش از حد گرم شود، توان دستگاه کاهش می یابد. چراغ کار LED (6) به آرامی چشمک می زند، تا زمانی که کلید روشن/خاموش (5) فشرده باشد. اگر سشوار صنعتی همچنان کار کند و دما در باتری قابل شارژ افزایش پیدا کند، سشوار صنعتی خود به خود خاموش می شود.

حفاظت الکترونیک) در برابر تخلیه کامل شارژ، حفاظت می شود. در صورت تخلیه شارژ باتری، سشوار صنعتی از طریق سیستم حفاظتی خاموش می شود. به نکات مربوط به نحوه از رده خارج کردن باتری توجه کنید.

نحوه برداشتن باتری قابل شارژ

برای برداشتن باتری قابل شارژ، دکمه های آزادسازی باتری را فشار دهید و آن را خارج کنید. هنگام انجام این کار از اعمال فشار خودداری کنید.

نشانگر وضعیت شارژ باتری

چراغ های سبز LED نشانگر وضعیت شارژ باتری، وضعیت شارژ باتری ها را نشان می دهند. به دلایل ایمنی، فراهوانی وضعیت شارژ آنها در حالت توقف سشوار صنعتی امکان پذیر است. جهت به نمایش در آمدن وضعیت شارژ، دکمه نشانگر وضعیت شارژ @ یا را فشار دهید. این کار هنگامی که باتری برداشته شده باشد، نیز ممکن است. چنانچه پس از فشردن دکمه نشانگر وضعیت شارژ هیچ LED روشن نشود، باتری خراب است و باید تعویض گردد.

نوع باتری GBA 18V...



LED	ظرفیت
3 عدد چراغ سبز ممتد	60-100 %
2 عدد چراغ سبز ممتد	30-60 %
1 عدد چراغ سبز ممتد	5-30 %
1 عدد چراغ سبز چشمک زن	0-5 %

نوع باتری ProCORE18V...



LED	ظرفیت
5 عدد چراغ سبز ممتد	80-100 %
4 عدد چراغ سبز ممتد	60-80 %
3 عدد چراغ سبز ممتد	40-60 %
2 عدد چراغ سبز ممتد	20-40 %
1 عدد چراغ سبز ممتد	5-20 %
1 عدد چراغ سبز چشمک زن	0-5 %

طرز کار با دستگاه

راه اندازی و نحوه کاربرد دستگاه

قبل از تعویض متعلقات یا کنار گذاشتن سشوار صنعتی، باتری قابل شارژ را از آن خارج کنید. رعایت این اقدامات احتیاطی پیش گیرانه، از شروع به کار ناخواسته سشوار صنعتی جلوگیری می کند.

توان کاهش یافته است

همیشه ابتدا مقدار هوا و دما را آزمایش کنید. با یک فاصله زیاد و درجه حرارت پایین شروع کنید. در صورت نیاز، فاصله و درجه حرارت را تغییر دهید. چنانچه مطمئن نیستید که با چه جنس قطعه کاری کار می کنید یا اثرهواي داغ سشوار صنعتی روی قطعه کار چیست، روی قسمت پوشانده شده دیگر آزمایش کنید.

شما می توانید در همه مثال های عملی بدون متعلقات کار کنید. کاربرد متعلقات پیشنهاد شده، انجام کار را آسان نموده و کیفیت نتیجه کار را به طور قابل توجهی افزایش می دهد.

برای این سشوار صنعتی می توانید کلیه نازل های را که در **Bosch** به عنوان متعلقات موجود هستند، را به کار بگیرید.

◀ **احتیاط هنگام تعویض نازل! به نازل داغ دست نزنید. بگذارید سشوار صنعتی خنک شود و هنگام تعویض، از دستکش ایمنی استفاده کنید.** خطر سوختگی در اثر تماس با نازل داغ وجود دارد.

شیرینک کاری (منقبض کردن) (رجوع کنید به تصویر A)

نازل بازتابنده (12) (متعلقات) را قرار دهید. قطر روکش (وارنیش) (14) (متعلقات) مناسب با قطعه کار را انتخاب کنید. روکش (وارنیش) را به طور یکدست حرارت دهید تا به قطعه کار بچسبند.

زدودن لاک/کُل/چسب (رجوع کنید به تصویر B)
نازل تخت (10) (متعلقات) را قرار دهید. رنگ را مدتی با حرارت نرم کنید و توسط کاردک تمیز بلند کنید. حرارت دادن طولانی، لاک را می سوزاند و جدا کردن آن را سخت می کند.
بسیاری از چسبها با حرارت نرم می شوند. در طول نرم شدن چسبها می توان اتصال یا مقادیر چسب اضافی را جدا کرد.

آب کردن یخ لوله های آب (رجوع کنید به تصویر C)

◀ **پیش از حرارت دادن، مطمئن شوید که لوله آب است.** لوله های آب اغلب ظاهراً از لوله های گاز قابل تشخیص نیستند. لوله های گاز را نباید تحت هیچ شرایطی حرارت داد.

نازل سرکج (11) (متعلقات) را قرار دهید. قسمتهای یخ زده را بهتر است از ورودی به طرف خروجی حرارت دهید.

در حرارت دادن لوله های لاستیکی و اتصالات بین قطعات لوله به ویژه محتاط باشید، تا از بروز آسیب و خسارات جلوگیری بعمل آورید.

لمیمکاری نرم (رجوع کنید به تصویر D)

نازل کاهنده (13) (متعلقات) را قرار دهید.

چنانچه ازسیم لمیم بدون مایع فلاکس استفاده می کنید، در محل لمیم کاری، روغن لمیم یا خمیر لمیم کاری بکار برید. محل لمیم کاری را گرم کنید و به آن سیم لمیم اضافه کنید. سیم لمیم باید در اثر حرارت قطعه کار ذوب شود.
در صورت لزوم پس از سرد شدن محل لمیم، مایع فلاکس را پاک کنید.

سشوار صنعتی با کلیه باتری های قابل شارژ 18 V بوش حرفه ای سازگار است.

هنگام کار سشوار صنعتی با باتری های قابل شارژ توصیه شده کمتر از 4 Ah، سشوار صنعتی به بهره وری کامل در درجه 500 °C نمی رسد (به آن درجه حرارت نمی رسد و میزان هوا کاهش می یابد). برای نشان دادن اینکه سشوار صنعتی با توان کاهش یافته، کار می کند، چراغ کار LED (6)، هنگام روشن شدن چند بار با توالی آهسته چشمک می زند.

نشانه های LED

چراغ کار LED (6) به عنوان وضعیت نشانگر LED نیز مورد استفاده قرار می گیرد.

واکنش LED	توضیحات
کوتاه چشمک می زند	تغییر دما
هنگام شروع به کار سشوار صنعتی، چند بار چشمک می زند	توان کاهش یافته است (استفاده از باتری قابل شارژ > 4 Ah)
تا زمانی که کلید روشن/ خاموش (5) فشرده باشد، در توالی آهسته چشمک می زند	م حافظ استارت مجدد محافظ گرمای بیش از حد برای باتری قابل شارژ
تا زمانی که کلید خاموش کردن (5) فشرده باشد، در توالی تند چشمک می زند	خطای داخلی

چنانچه به طور ممتد یک خطای داخلی در سشوار صنعتی نمایش داده شود (اگر از قبل در حال کار باشد، سشوار صنعتی کار نمی کند یا خاموش می شود)، لطفاً با خدمات مشتریان تماس حاصل نمایید.

راهنمائیهای عملی

نکته: نازل (1) را زیاد نزدیک به قطعه کار نکنید. تجمع هوای حاصله ممکن است باعث گرم شدن بیش از حد سشوار صنعتی شود.

برداشتن حفاظ در برابر حرارت

برای کار در جاهای بسیار تنگ می توانید حفاظ حرارتی (2) را با پرخاندن بردارید.

◀ **احتیاط، نازل داغ است!** در حین کار بدون طوقه محافظ در برابر حرارت، خطر ابتلا به سوختگی افزایش می یابد.

برای برداشتن یا قرار دادن حفاظ حرارتی (2)، سشوار صنعتی را خاموش کنید و بگذارید خنک شود.

مثال های عملی**(رجوع کنید به تصاویر A-D)**

تصویر مثال های عملی در صفحه ی تا شو موجود می باشد.

فاصله نازل تا قطعه کار بستگی به جنس قطعه کار (فلز، پلاستیک، و غیره) و نوع کار روی آن قطعه دارد. دمای بهینه برای هر نوع کاربری از راه آزمایش بدست می آید.

مراقبت و سرویس

باتریهای شارژی/قلمی:

لیتیوم-یونی:

لطفاً به تذکرات بخش (رجوع کنید به «حمل دستگاه»، صفحه 60) توجه کنید.

مراقبت، تعمیر و تمیز کردن دستگاه

◀ قبل از انجام هر گونه کاری با سشوار صنعتی (از جمله سرویس، تعویض ابزار و غیره) و همچنین به هنگام حمل و نقل و یا در انبار نگاه داری کردن، باتری را از داخل سشوار صنعتی خارج کنید.

◀ سشوار صنعتی و شیارهای تهویه آن را تمیز نگاه دارید، تا ایمنی شما در کار تضمین گردد.

خدمات و مشاوره با مشتریان

خدمات مشتری، به سؤالات شما درباره تعمیرات، سرویس و همچنین قطعات یدکی پاسخ خواهد داد. نقشه‌های سه بعدی و اطلاعات مربوط به قطعات یدکی را در تارنمای زیر میباید:

www.bosch-pt.com

گروه مشاوره به مشتریان Bosch با کمال میل به سؤالات شما درباره محصولات و متعلقات پاسخ می دهند.

برای هرگونه سؤال و یا سفارش قطعات یدکی، حتماً شماره فنی 10 رقمی کالا را مطابق برچسب روی ابزار برقی اطلاع دهید.

ایران

روبرت بوش ایران - شرکت بوش تجارت پارس
میدان ونک، خیابان شهید خدای، خیابان آفتاب
ساختمان مادیران، شماره 3، طبقه سوم.

تهران 194834571

تلفن: 42039000+9821

آدرس سایر دفاتر خدماتی را در ادامه ببینید:

www.bosch-pt.com/serviceaddresses

حمل دستگاه

باتریهای لیتیوم-یونی تابع مقررات حمل کالاهای پر خطر می باشند. کاربر می تواند باتریها را بدون استفاده از روکش در خیابان حمل کند.

در صورت ارسال توسط شخص ثالث (مانند: حمل و نقل هوایی یا زمینی) باید تمهیدات مربوط به بسته بندی و علامتگذاری مورد توجه قرار گیرد. در اینصورت باید حتماً جهت آماده سازی قطعه ارسالی به کارشناس حمل کالاهای پر خطر مراجعه کرد.

باتریها را فقط در صورتی ارسال کنید که بدنه آنها آسیب ندیده باشد. اتصالات (کنتاکتهای) باز را بپوشانید و باتری را طوری بسته بندی کنید که در بسته بندی تکان نخورد. در این باره لطفاً به مقررات و آیین نامه های ملی توجه کنید.

از رده خارج کردن دستگاه

سشوار صنعتی، باتری های قابل شارژ، متعلقات و بسته بندی ها باید به روشی سازگار با محیط زیست بازیافت شوند.

سشوار صنعتی و باتری های قابل شارژ/باتری ها را درون سطل زباله خانگی نیندازید!

